

# Unit Dual Button

SKU:U025

UNIT  
Dual-BUTTON



**GPIO**  
INTERFACE



## Description

**Unit Dual Button** is a dual-button Unit that provides two physical buttons of different colors for you to operate. By detecting the high/low voltage changes of different button input pins, the button status can be determined. This Unit communicates with M5Core through the PORT B port.

## Features

- HY2.0-4P interface
- Supports [UIFlow](#) and [Arduino](#)
- 2 x LEGO compatible holes

## Includes

- 1 x Unit Dual Button
- 1 x HY2.0-4P Grove connection cable (20cm)

# Applications

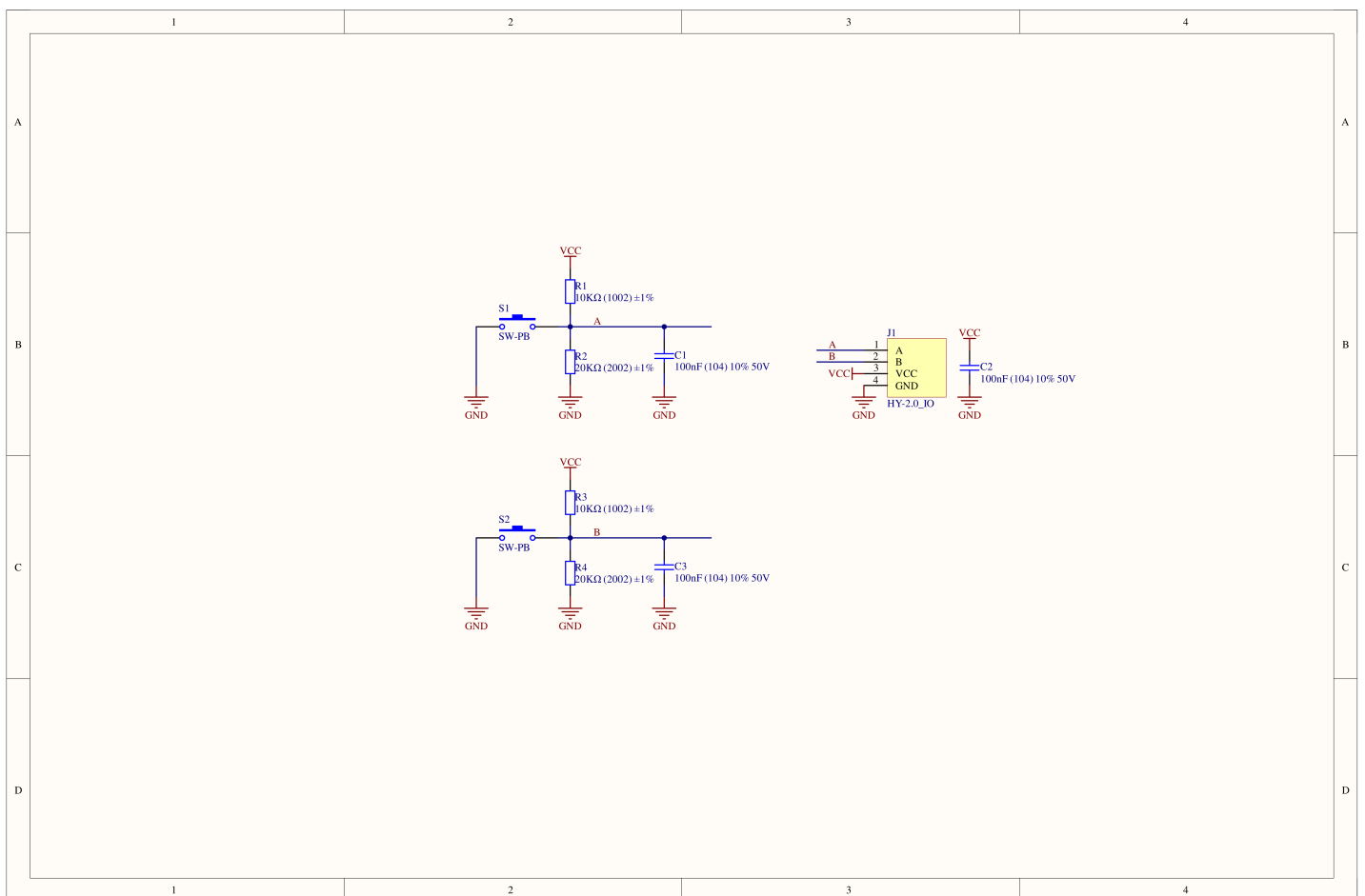
- o Game controller
- o Remote control switch

# Specifications

Specification	Parameter
Net Weight	8g
Gross Weight	22g
Product Size	48 x 24 x 8mm
Package Size	136 x 92 x 10mm

# Schematics

- o [Unit Dual Button Schematics PDF](#)

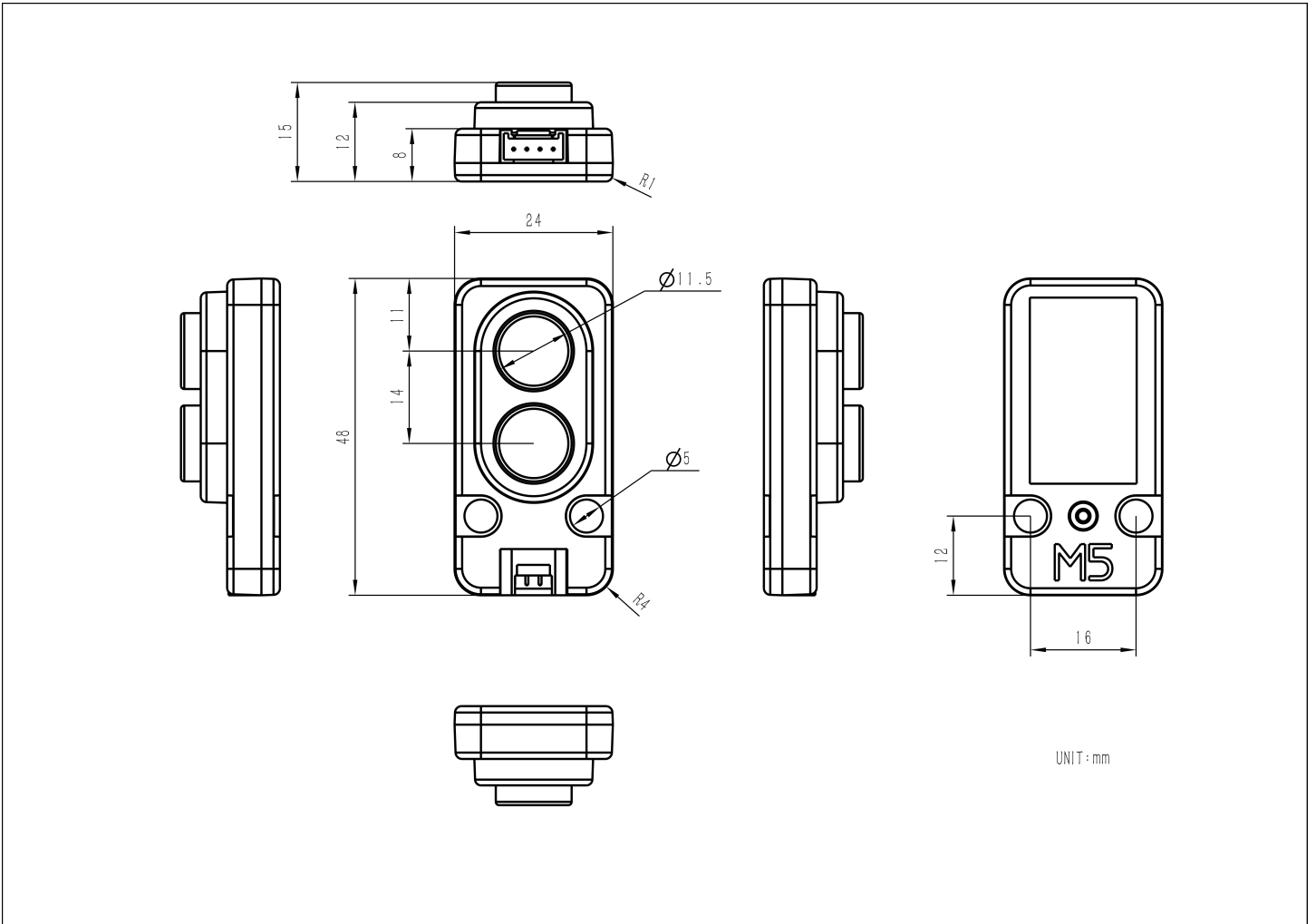


# PinMap

## Unit Dual Button

HY2.0-4P	Black	Red	Yellow	White
PORT.B	GND	5V	Red Btn	Blue Btn

## Model Size



## Softwares

### Arduino

- [Unit Dual Button Test Example](#)

### UiFlow1

- [Unit Dual Button UiFlow1 Docs](#)

### UiFlow2

## | EasyLoader

Easyloader	Download Link	Note
Unit Dual Button Easyloader	<a href="#">download</a>	/

## | Video