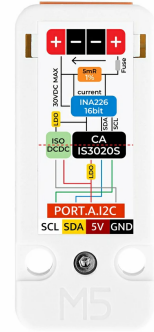
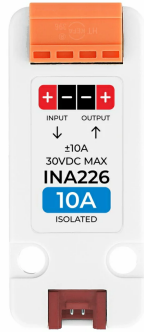


Unit INA226-10A

SKU:U200





Description

Unit INA226-10A is a fully isolated high-precision current and voltage measurement unit, suitable for scenarios measuring DC 0 ~ 30V voltage and up to 10A current, supporting simultaneous voltage and current measurements. Users can read key parameters such as current, voltage, and power obtained by this unit via the I2C communication interface, supporting multiple main control platforms. It also integrates an isolated power module and I2C signal isolator, achieving complete electrical isolation between the measurement end and the main control end, and features a self-resetting fuse that can automatically blow when the current range is exceeded, effectively ensuring the safety of equipment and personnel, improving system anti-interference ability, and is suitable for a variety of electrical parameter acquisition application scenarios such as power management, battery monitoring, and industrial automation.

Features

- Integrated 16-bit high-precision ADC
- Current, voltage, and power integrated measurement
- $\pm 10A$ range, bidirectional current
- Wide voltage input (DC 0 ~ 30V)
- I2C communication interface
- Power and signal isolation
- Development Platform:
 - Arduino
 - UiFlow2

Includes

- 1 x Unit INA226-10A
- 1 x HY2.0-4P Grove Cable (20cm)
- 1 x HT3.96-4P Terminal

Applications

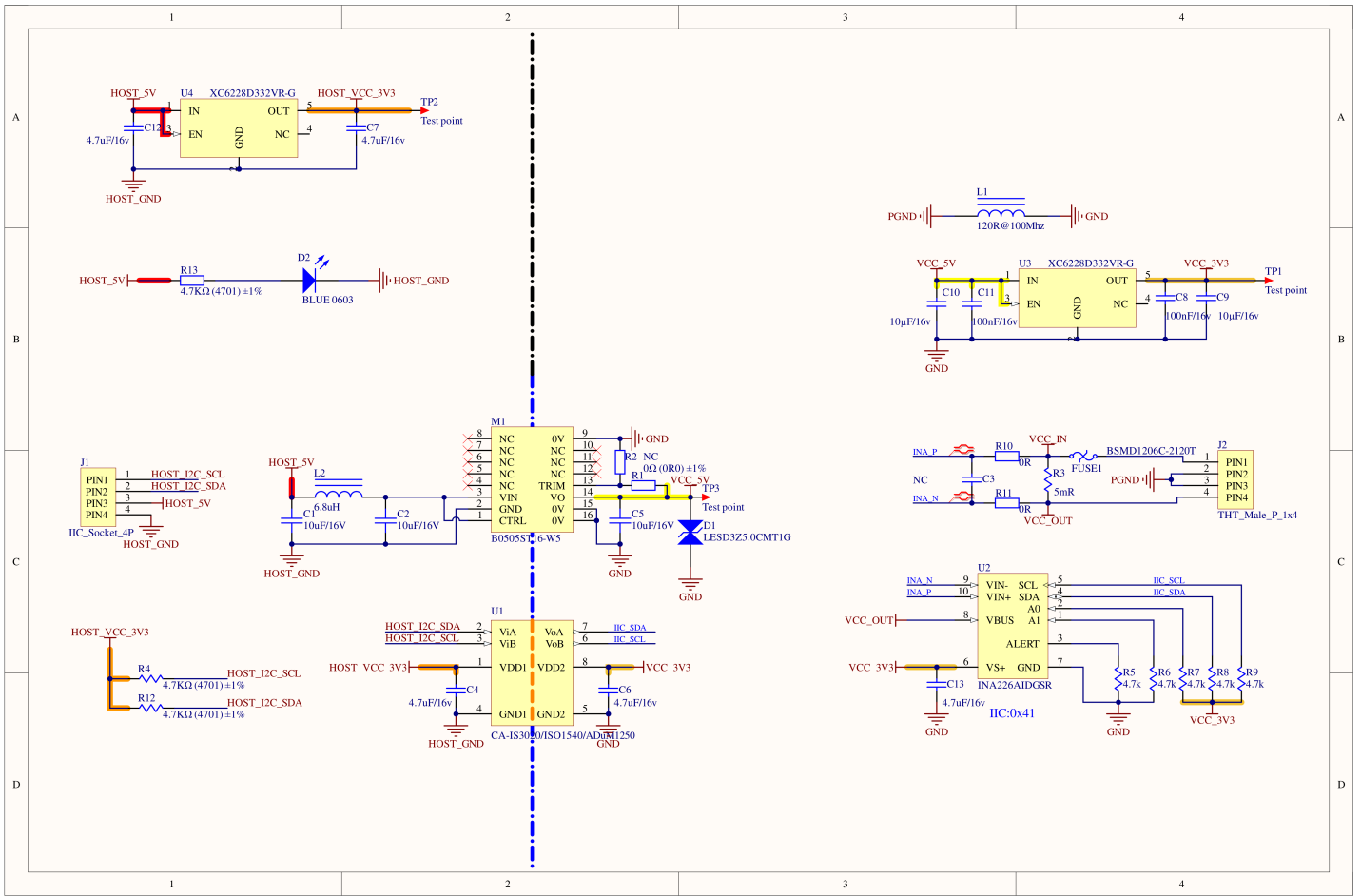
- Power monitoring
- Power consumption analysis
- Motor control current feedback

Specifications

Specification	Parameter
Power Detection IC	INA226, high-precision, bidirectional current / power monitoring IC
Voltage Detection Range	DC 0 ~ 30V
Current Detection Range	±10A (bidirectional current measurement)
Communication Interface	I2C @0x41
Operating Current	DC 5.01V@16.55mA
Product Size	58.0 x 24.0 x 10.2mm
Product Weight	8.5g
Package Size	138.0 x 93.0 x 11.2mm
Gross Weight	16.8g

Schematics

- [Unit INA226-10A Schematics PDF](#)



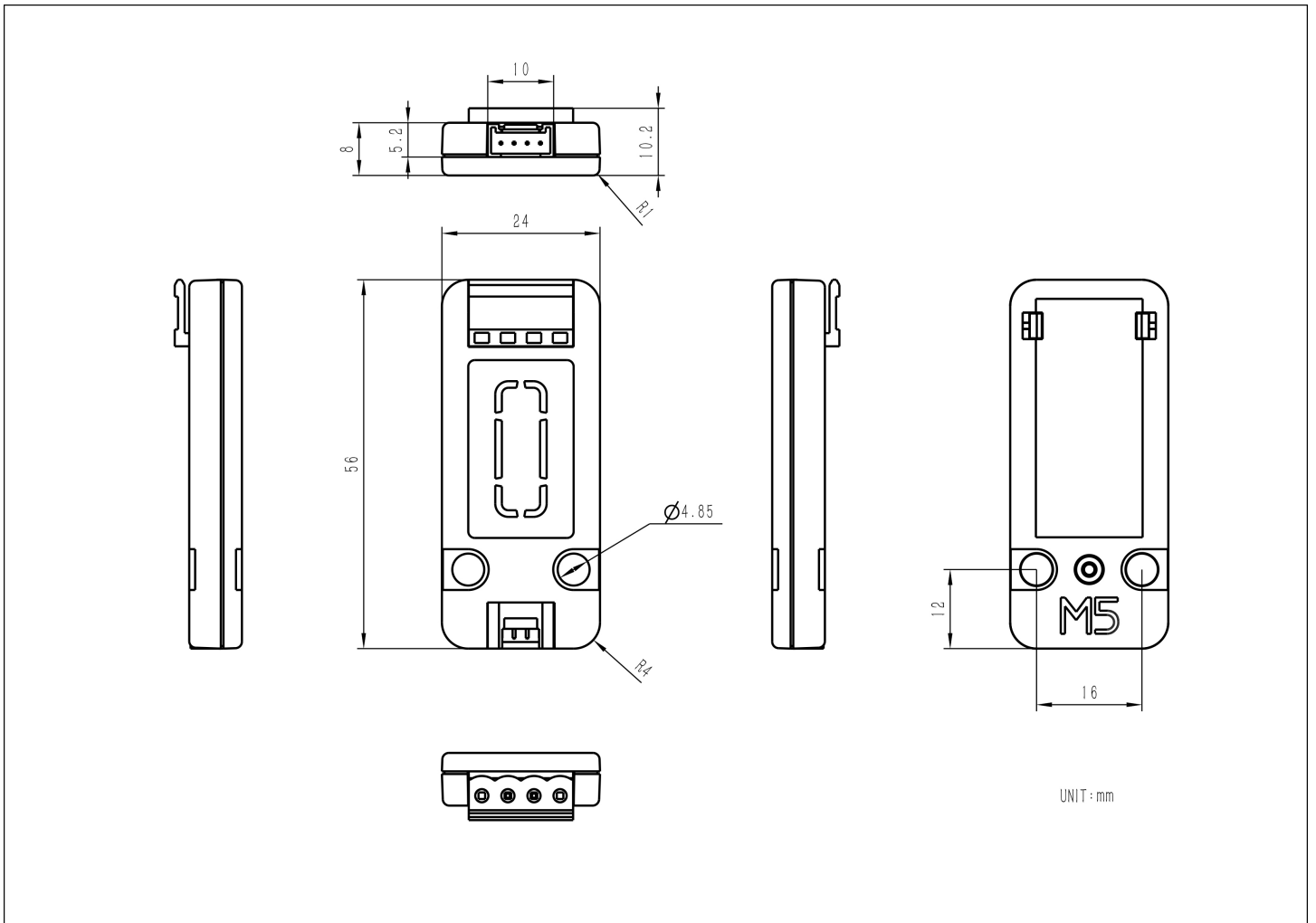
PinMap

HY2.0-4P

HY2.0-4P	Black	Red	Yellow	White
PORT.A	GND	5V	SDA	SCL

Model Size

- [Unit INA226-10A Model Size PDF](#)



Datasheets

- [INA226 Datasheet](#)

Softwares

Arduino

- [Unit INA226-10A / Unit INA226-1A Arduino Tutorial](#)
- [Unit INA226-10A Arduino Test Program](#)

UiFlow2

- [Unit INA226 UiFlow2 Docs](#)

Video

- [Unit INA226-10A / Unit INA226-1A Feature Introduction](#)

[U200_U200-1A_video.mp4](#)

Product Comparison

Product Compare



Unit INA226-1A



Unit INA226-10A

Range	$\pm 1\text{A}$, bidirectional current	$\pm 10\text{A}$, bidirectional current
Shunt Resistor	80m Ω	5m Ω
Current Resolution	32 μA	0.32mA