

# Unit Gesture

SKU:U127



## Description

Unit Gesture is a 3D gesture recognition sensor using the I2C communication interface. It adopts the PAJ7620U2 sensor solution, with the program by default supporting 9 types of gesture recognition. The maximum gesture update frequency can reach 240Hz, and it has a certain level of ambient light interference resistance. It supports custom unit sampling time and can add recognition gesture combinations through program algorithms as needed. The sensor features strong stability, fast recognition speed, high accuracy, and low power consumption (operating current only 2.2mA), making it suitable for various applications such as non-contact remote controls, robot interaction, human-computer interaction games, and gesture light control.

- Supports 9 gestures:
  - Up, Down, Left, Right, Forward, Backward, Clockwise, Counterclockwise, Wave

## Features

- PAJ7620U2 gesture sensor / I2C interface
- 9 recognizable gestures
- Fast recognition speed, high accuracy, strong interactivity
- Supports custom addition of recognition gesture combinations (requires secondary software development)

- Effective recognition distance: 5cm-15cm
- Built-in infrared LED and optical components, with ambient light immunity
- Development platforms: Arduino, UIFlow

## Includes

---

- 1 x Unit Gesture
- 1 x HY2.0-4P Grove cable (20cm)

## Applications

---

- Non-contact remote controls
- Robot interaction
- Human-computer interaction games
- Gesture light control

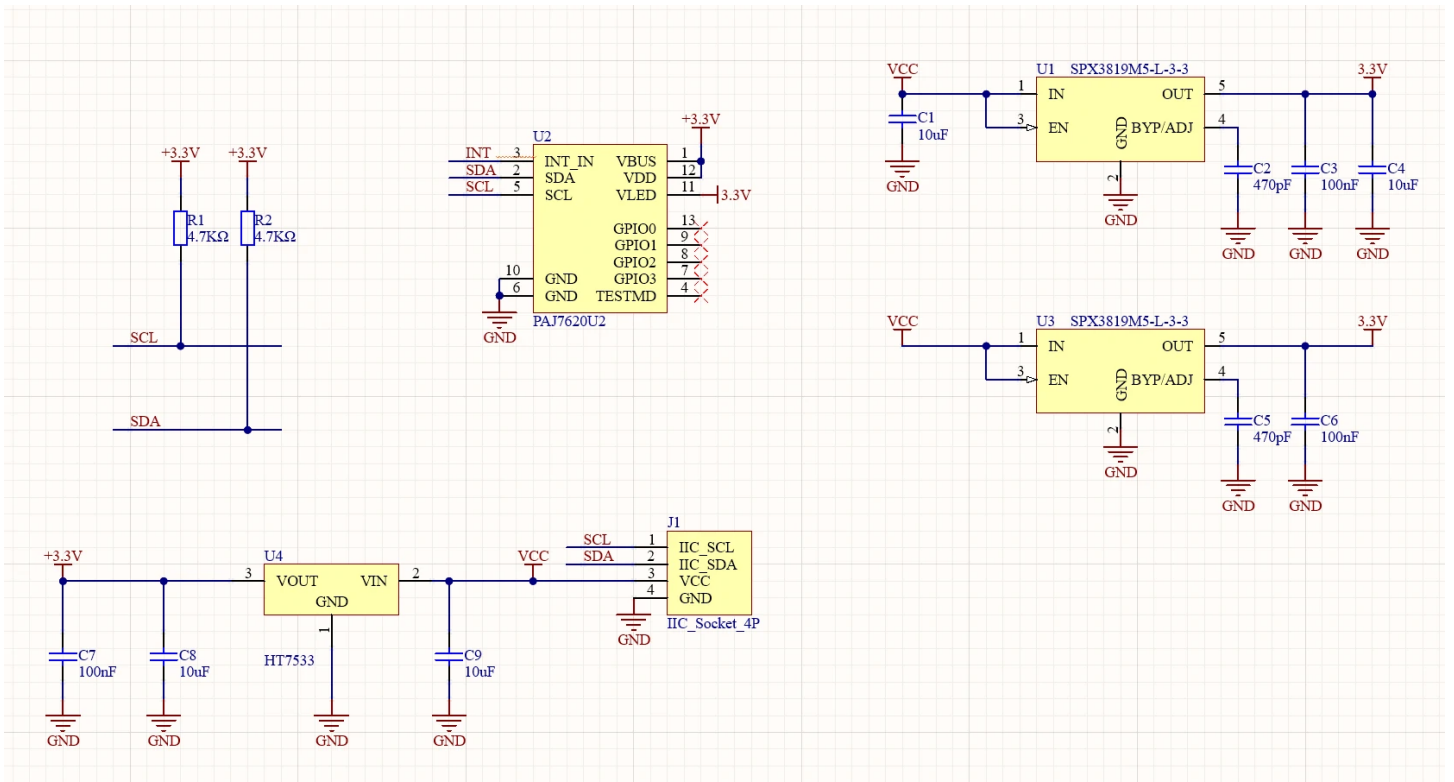
## Specifications

---

Specification	Parameter
Communication Interface	I2C @0x73
Gesture Frequency	Typical: 120Hz, Max: 240Hz
Supported Gestures	9 built-in + support for software algorithm expansion
Effective Recognition Distance	5cm-15cm
Ambient Light Immunity	<100k Lux
Communication Interface	I2C, addr: 0x73
Operating Current	2.2mA
Product Size	32.0 x 24.0 x 8.0mm
Product Weight	4.6g
Package Size	138.0 x 93.0 x 9.0mm
Gross Weight	10.0g

## Schematics

---

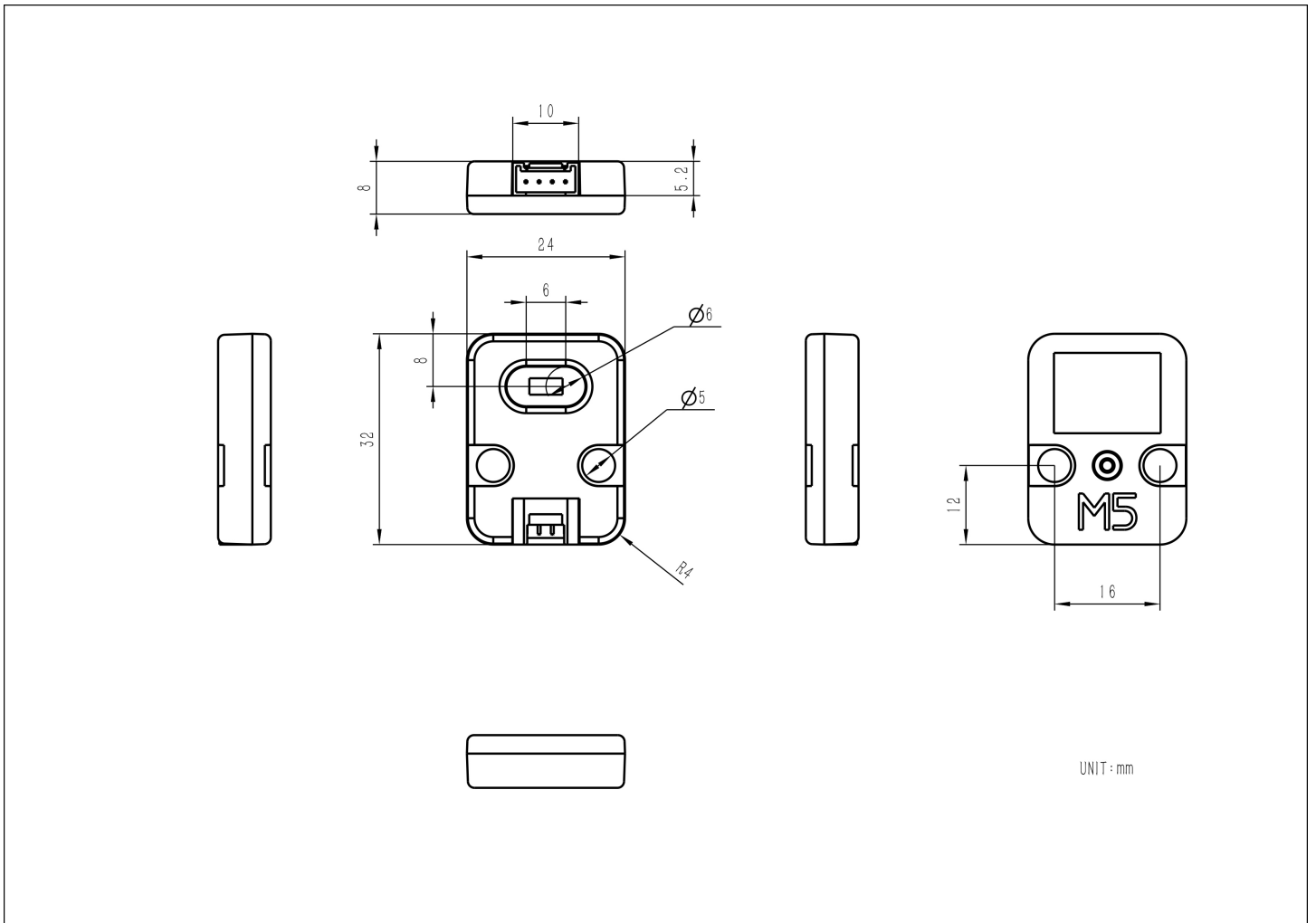


## PinMap

## Unit Gesture

HY2.0-4P	Black	Red	Yellow	White
PORT.A	GND	5V	SDA	SCL

## Model Size



## Datasheets

- [PAJ7620U2 Datasheet](#)

## Softwares

### Arduino

- [Unit Gesture Test Example with M5Core](#)

### UiFlow1

- [Unit Gesture UiFlow1 Docs](#)

## EasyLoader

Easyloader	Download Link	Note
Unit Gesture Test Easyloader	<a href="#">download</a>	/

# | Video

---

- Unit Gesture Case Demonstration

[GESTURE\\_UNIT\\_VIDEO.mp4](#)