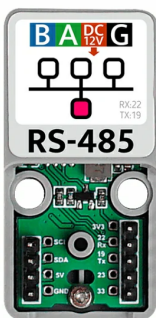


Atomic RS485 Base

SKU:A131



Description

Atomic RS485 Base is a TTL-RS485 converter based on the Atomic design, used for converting TTL level to RS485 level. RS485 is a widely used electrical standard in the industrial field, featuring stronger anti-interference capability and longer transmission distance. It has a built-in DC-DC step-down regulator chip, which can directly convert the 12V voltage of RS485 to 5V to power the ATOM, eliminating the trouble of separate power supply. When multiple devices require communication control, using the Atomic RS485 for interface type conversion will be a good choice.

Features

- Compatible with Atom-Matrix/Atom-Lite/ATOMS3/AtomS3-Lite
- Multi-point communication
- SP3485EE
- Built-in DC-DC

Includes

- 1 x Atomic RS485 Base
- 1 x HT3.96-4P Terminal
- 1 x I/O Sticker

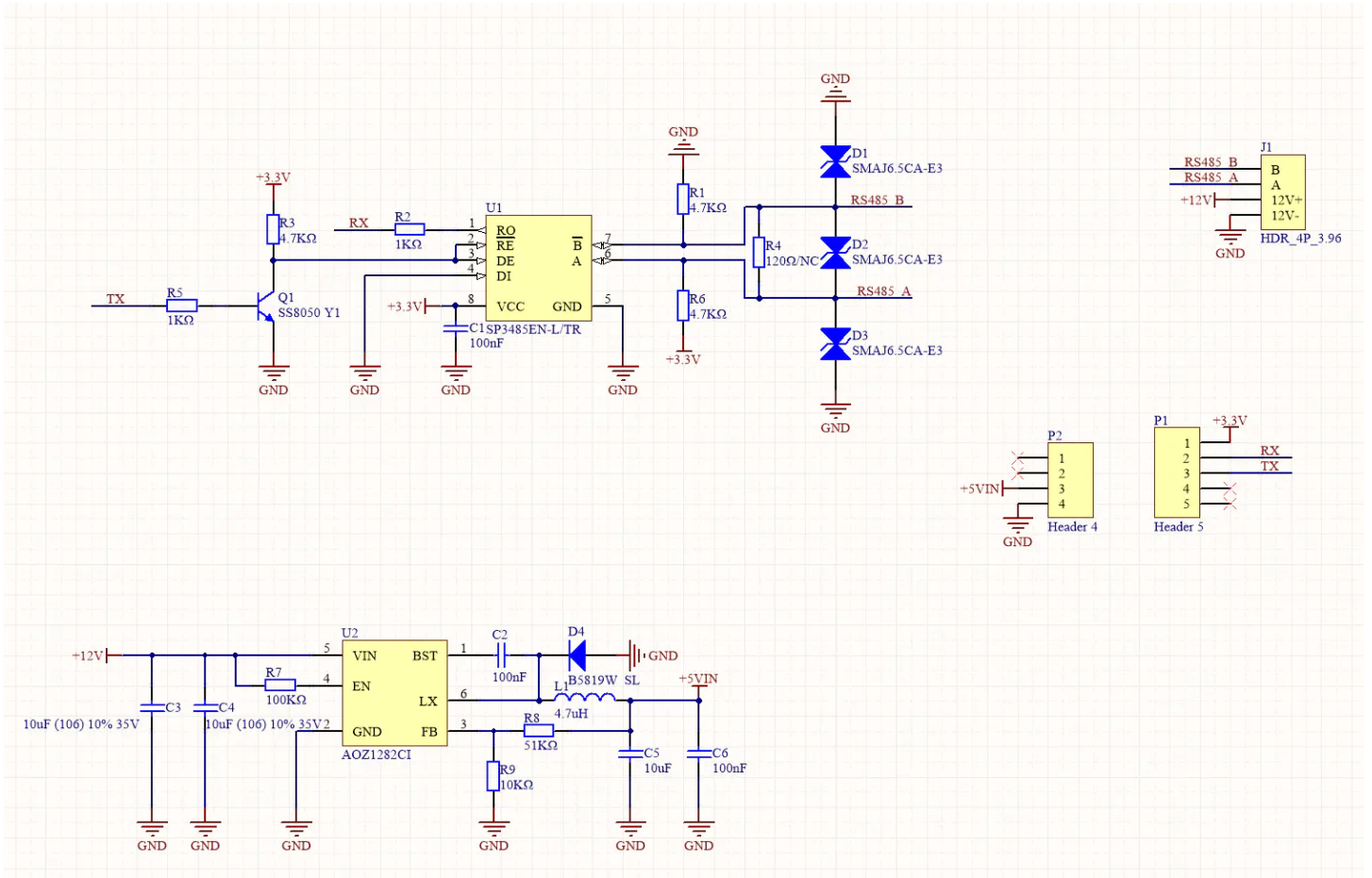
Applications

- RS485 multi-point communication
- Industrial control nodes

Specifications

Specification	Parameter
External Port	VH-3.96 4P
Level Conversion IC	SP3485EE
DC-DC	A0Z1282CI
Case Material	Plastic (PC)
Product Size	24.0 x 48.0 x 18.0mm
Product Weight	9.9g
Package Size	136.0 x 92.0 x 13.0mm
Gross Weight	14.5g

Schematics

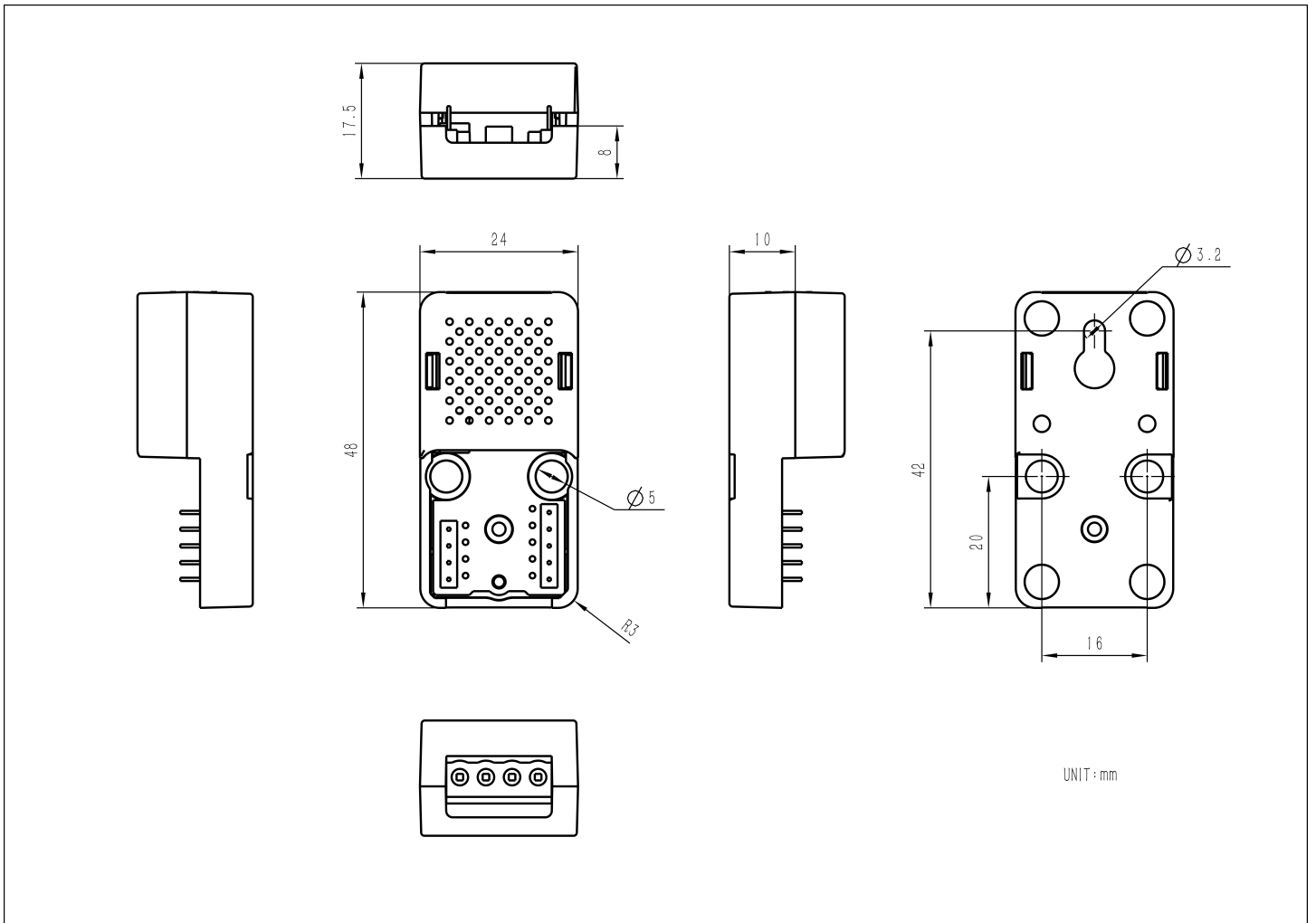


PinMap

PIN	LEFT	RIGHT	PIN
		1	3V3
	2	3	RS485_RX
	4	5	RS485_TX
5V	6	7	
GND	8	9	

Model Size

- Atomic RS485 Base Model Size PDF



Datasheets

- [SP485EEN](#)
- [AOZ1282CI](#)

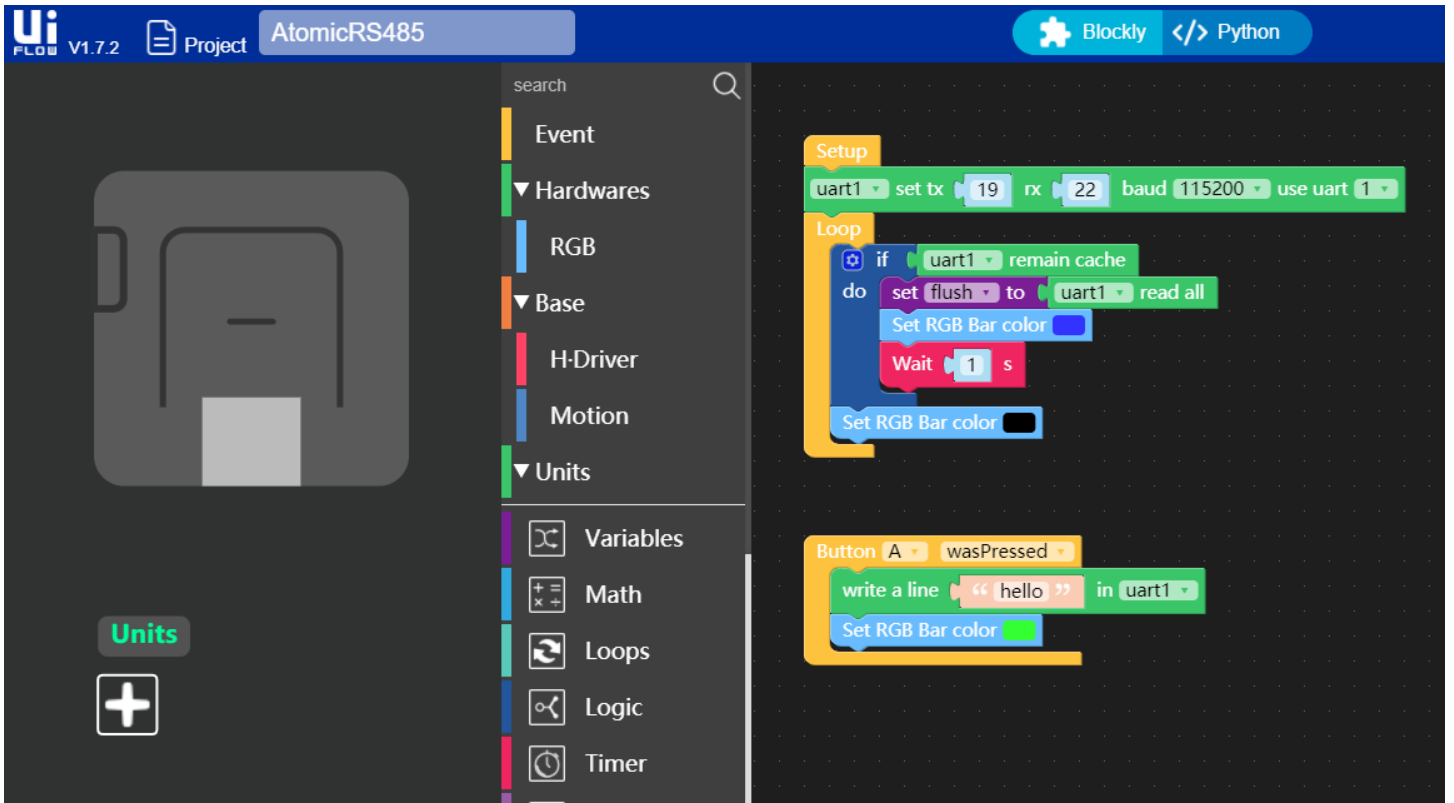
Softwares

Arduino

- [Atomic RS485 Base Arduino Quick Start](#)

UiFlow1

- [Atomic RS485 Base UiFlow1 Test Program](#)



UiFlow2

- [Atomic RS485 Base UiFlow2 Docs](#)

EasyLoader

Easyloader	Download	Note
Atomic RS485 Base Test Easyloader	download	/

Video

- [MQTT & RS485 Control Relay](#)

[A131.mp4](#)