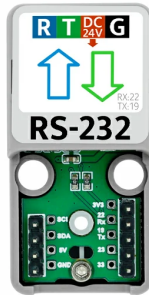
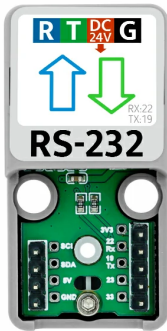


Atomic RS232 Base

SKU:A136



Description

Atomic RS232 Base is a TTL-RS232 level converter designed for the Atom series hosts. RS-232 is a standard for serial communication between computers and peripheral devices, defining electrical characteristics and data transmission protocols. The module uses the MAX232 chip to support bidirectional conversion between TTL and RS232 levels. It also includes a built-in DC-DC step-down voltage regulator chip, allowing it to power the ATOM with an external 12V power supply.

Features

- Compatible with Atom-Matrix/Atom-Lite/AtomS3-Lite/ATOMS3
- Full-duplex communication
- Built-in DC-DC

Includes

- 1 × Atomic RS232 Base
- 1 × HT3.96-4P

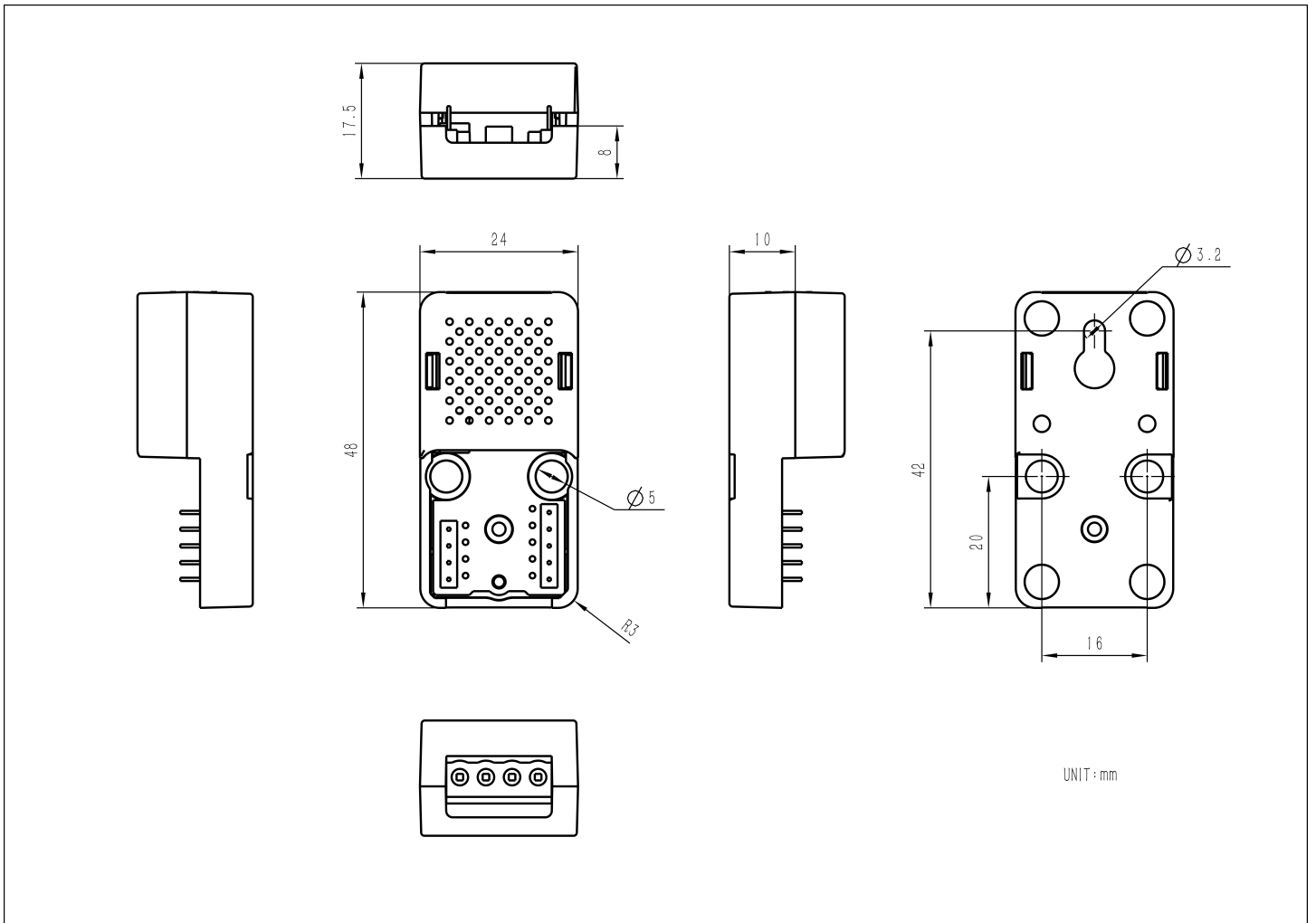
Applications

- RS232 communication
- Industrial control nodes

Specifications

Specification	Parameter
External Port	VH-3.96 4P
Level Conversion Chip	MAX232
DC-DC	A0Z1282CI
Housing Material	Plastic (PC)
Product Size	24 x 48 x 18mm
Package Size	136 x 92 x 13mm
Product Weight	18g
Gross Weight	28g

Schematics



Datasheets

- [MAX232](#)
- [AOZ1282CI](#)

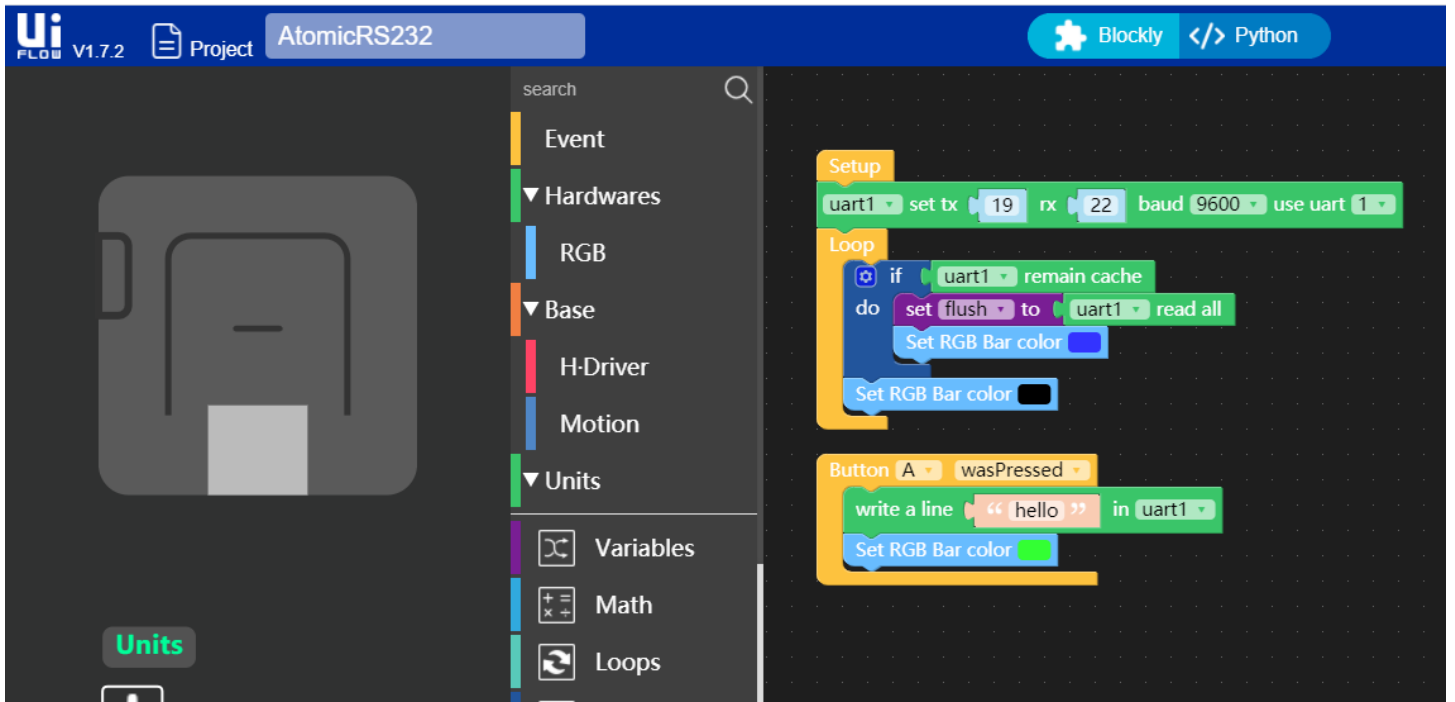
Softwares

Arduino

- [Atomic RS232 Base Arduino Quick Start](#)

UiFlow1

- [Atomic RS232 Base Test Example](#)



UiFlow2

- [Atomic RS232 Base UiFlow2 Docs](#)

EasyLoader

Easyloader	Download Link	Notes
Atomic RS232 Base Test Easyloader	download	/

Video

- [Atomic RS232 Example Usage](#)

[AtomicRS232.mp4](#)

- [Atomic RS232 Communication with ATOM Printer](#)

[A136 Atomic RS232 Base.mp4](#)