

Atomic QRCode2 Base

SKU:A133-B



Description

Atomic QRCode2 Base is a 1D/2D code scanning base designed specifically for the ATOM series hosts. It supports three mainstream types of QR codes and 14 types of barcodes on the market. The base integrates a buzzer and a fill-light LED, providing audio prompts in different states and assisting focusing and aiming with a red LED. The module communicates via TTL, enabling easy data transmission through the serial port. With the built-in ESP32 of the M5Atom host, the scanned data can be transmitted to the receiver for processing over wired or wireless connections. The back of the base is equipped with magnets, M3 screw holes, and LEGO-compatible holes, offering multiple mounting options. It is suitable for logistics, retail, manufacturing, and other fields.

| Features

- Supports 3 types of 2D codes and 14 types of 1D codes
- Built-in buzzer for sound prompts
- Built-in illumination LED
- High-resolution imaging
- Focus and aiming functions

| Includes

- 1 x Atomic QRCode2 Base

| Applications

- Logistics
- Retail
- Manufacturing

| Specifications

Specification	Parameter
Sensor	640x480 CMOS@M14 module
Illumination	White LED
Focus and Aiming	Red LED
Supported 2D Code Types	PDF417, QR Code, Data Matrix
Supported 1D Code Types	Code11, Code39, Code93, Code128, EAN-13, EAN-8, UPC-A, UPC-E, Codabar, Interleaved 2 of 5, Matrix 2 of 5, Industrial 2 of 5, MSI, GS1
Reading Accuracy	≥5mil
Print Contrast	≥ 20%
Scanning Angle	Rotation 360°, Tilt ± 55°, Skew ± 55°
Field of View	Horizontal 34°, Vertical 28°
Communication Interface	UART@115200
Power Consumption Test	Standby Current (without ATOM host): DC 5V/116.57mA Operating Current (with Atom-Lite): DC 5V/174.18mA
Operating Temperature	0 ~ 40°C
Housing Material	Plastic (PC)
Product Size	48 x 24 x 17.5mm
Package Size	136 x 92 x 18mm
Product Weight	12g
Gross Weight	14.2g

Learn

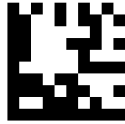
- QR Code Scanning Test Example



QR CODE



PDF417



DATA MATRIX



393939
CODE-39



CODE-93
CODE-93



M5STACK-CODE-128
CODE-128



000111111111110
ITF-14



0 123123 123118
EAN-13



3331 1111
EAN-8



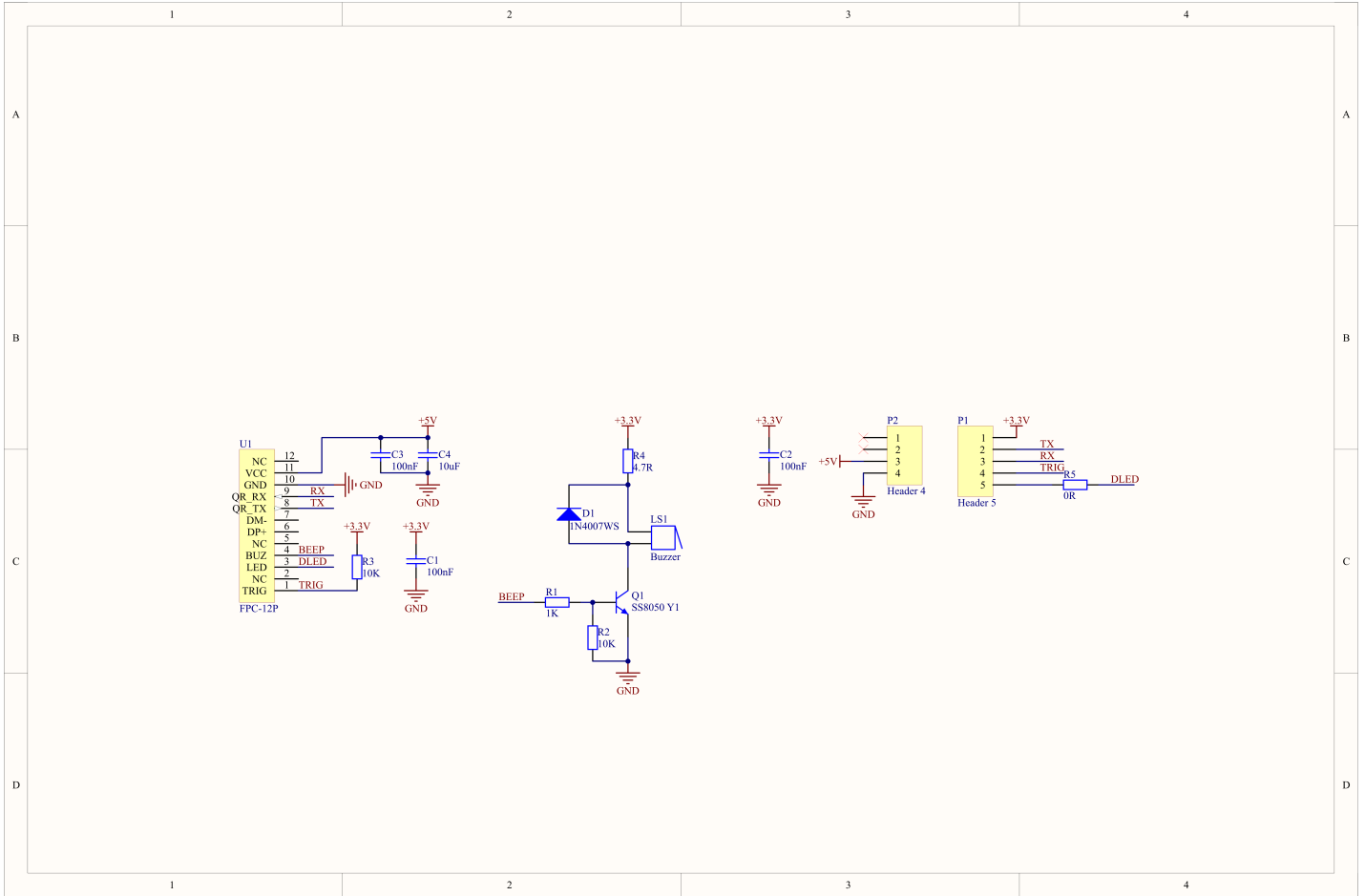
0 00222 22222 8
UPC-A



0 555555 0
UPC-E

| Schematics

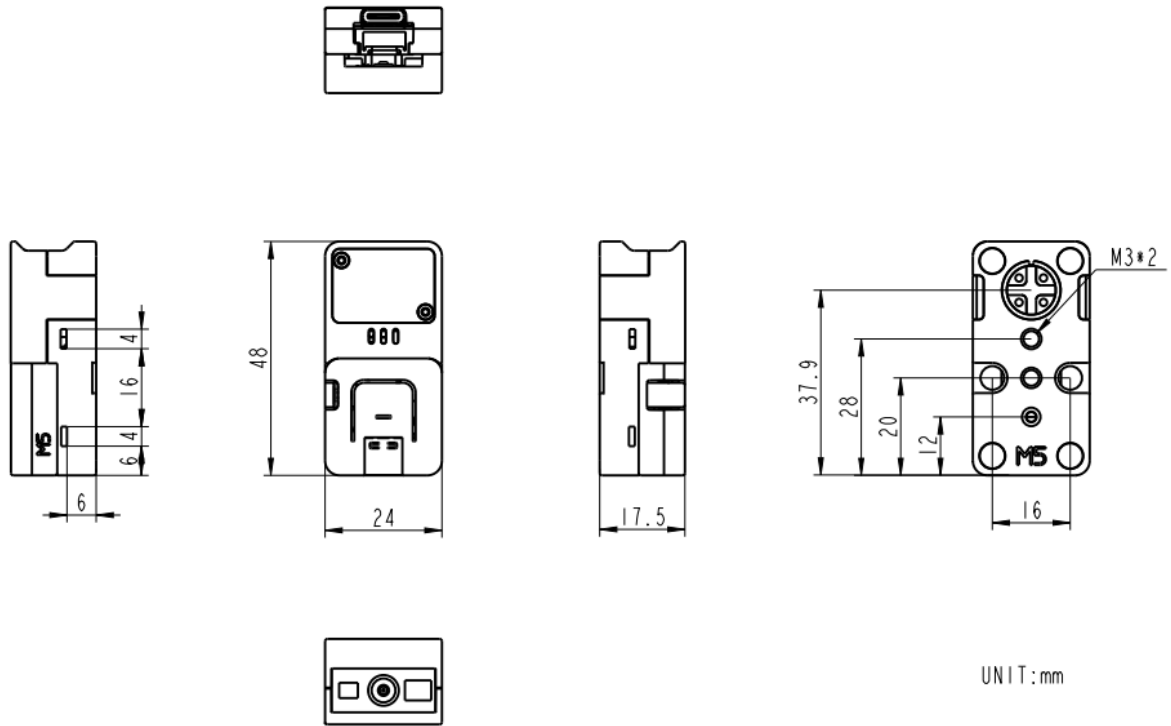
- [Atomic QRCode2 Base Schematics PDF](#)



PinMap

PIN	LEFT	RIGHT	PIN
		1	3V3
	2	3	UART_RX
	4	5	UART_TX
5V	6	7	TRIG
GND	8	9	

Model Size



Datasheets

- [QRCode Module Datasheet](#)

Softwares

Arduino

- [Atomic QRCode2 Base Arduino Library](#)
- [Atomic QRCode2 Base Arduino Tutorial](#)

UiFlow1

- [Atomic QRCode2 Base UiFlow1 Docs](#)

UiFlow2

- [Atomic QRCode2 Base UiFlow2 Docs](#)

Protocol

- [AT Command Manual](#)
- [Barcode Reading Range Table Example](#)

Video

[A133-B QR CODE2 BASE 视频.mp4](#)

Product Comparison

Version Comparison

Product	SKU	Housing	QRCode	Communication Method
Atomic QRCode2 Base	A133-B	Plastic (PC)	3 types of 2D codes and 14 types of 1D codes	UART
Atom QR-CODE_v1.1 (Excluding Atom)	A133	Plastic (PC)	6 types of 2D codes and 19 types of 1D codes	UART
Atom QR-CODE Kit	K041	Nylon	6 types of 2D codes and 19 types of 1D codes	UART
Atom QR-CODE Kit V1.1	K041-B	Plastic (PC)	6 types of 2D codes and 19 types of 1D codes	UART
Unit-QRCode	U173	Plastic (PC)	3 types of 2D codes and 14 types of 1D codes	I2C or UART