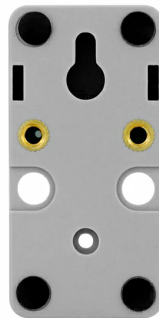


Atomic CAN Base

SKU:A103



Description

Atomic CAN Base is a CAN bus communication unit that uses the CA-IS3050G transceiver solution (the built-in DC-DC isolated power supply chip can effectively isolate interference and prevent damage to sensitive circuits). The communication bus can support up to 110 nodes, with a signal transmission rate of up to 1Mbps and multiple electrical line protection functions. It is very suitable for applications such as vehicle transportation and security systems.

Features

- Compatible with Atom-Matrix/Atom-Lite/ATOMS3/AtomS3-Lite
- CAN bus multi-point communication
- Built-in isolated DC-DC
- Signal rate up to 1Mbps
- Common-mode voltage range from -12V to 12V
- Signal protection function

Includes

- 1 x Atomic CAN Base
- 1 x HT3.96-4P Terminal

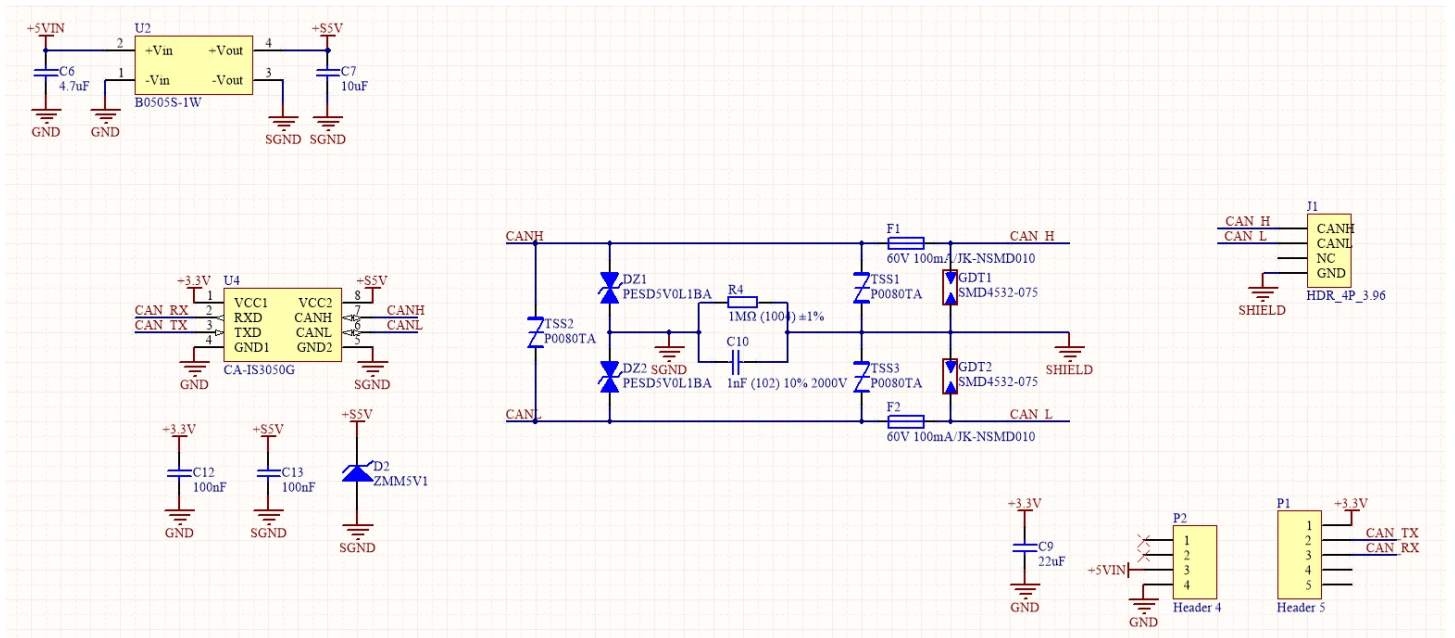
Applications

- CAN bus communication
- Vehicle equipment control
- Industrial field control

Specifications

Specification	Parameter
External Port	HT3.96-4P
CAN Transceiver Model	CA-IS3050G
Maximum Rate	1Mbps
Supported Nodes	110
Low Loop Delay	150ns
Common-mode Voltage	-12V ~ 12V
Operating Temperature	0 ~ 40°C
Casing Material	Plastic (PC)
Product Size	24 x 48 x 18mm
Package Size	136 x 92 x 20mm
Product Weight	11.1g
Gross Weight	15.6g

Schematics

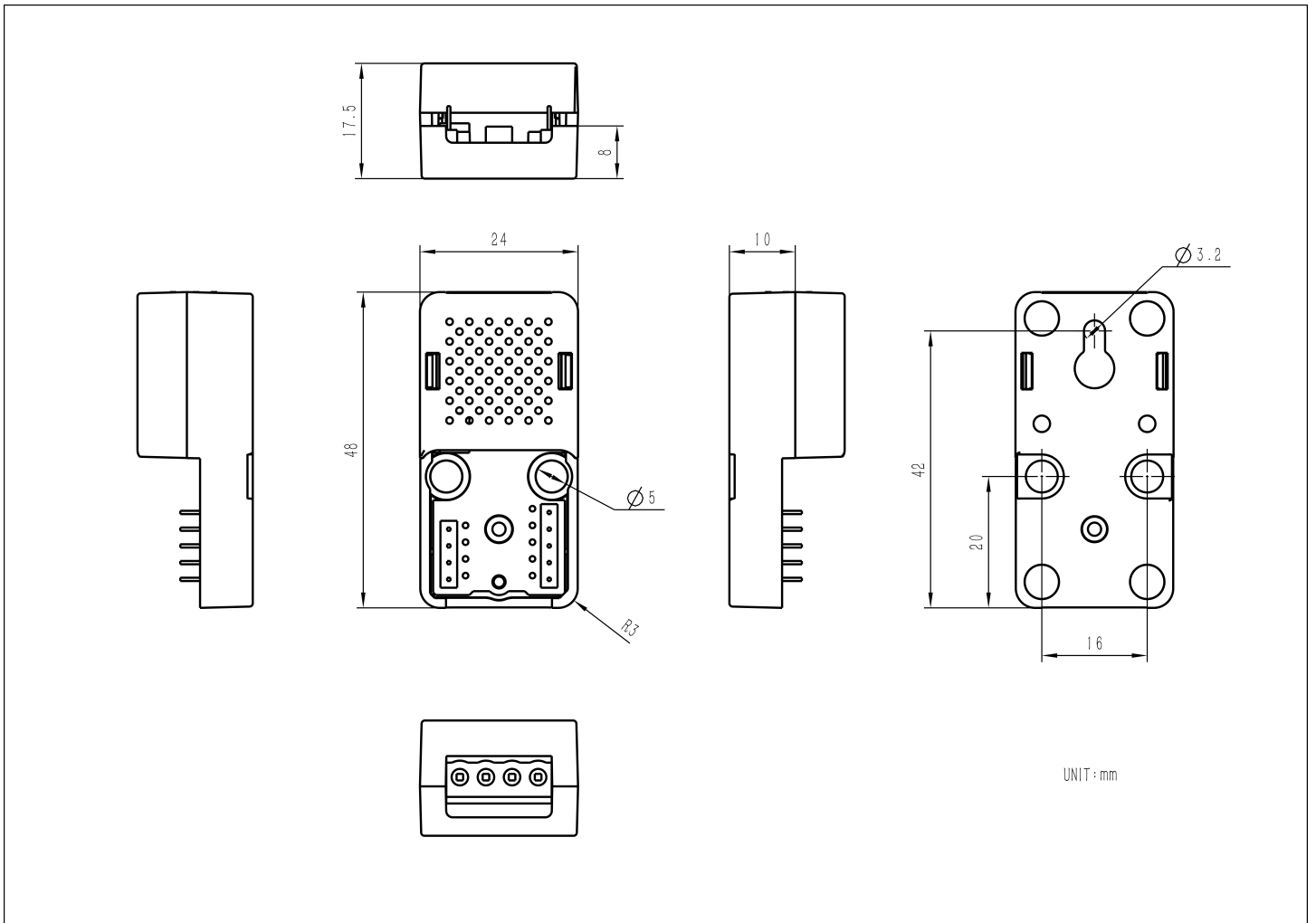


PinMap

PIN	LEFT	RIGHT	PIN
		1	3V3
	2	3	UART_TX
	4	5	UART_RX
5V	6	7	
GND	8	9	

Model Size

- Atomic CAN Base Model Size PDF



Datasheets

- [CA-IS3050G](#)

Softwares

Arduino

- [Atom CAN Base Arduino Quick Start](#)

UiFlow1

- [Atom CAN UiFlow1 Docs](#)

UiFlow2

- [Atomic CAN Base UiFlow2 Docs](#)

EasyLoader

Easyloader	Download Link	Remarks
Atom CAN Sender Easyloader	download	/
Atom CAN Receive Easyloader	download	/

Video

- Atomic CAN Base Interaction Example

[ATOM_CAN_VIDEO.mp4](#)

- Atomic CAN Base Interaction Example (3 ATOMIC CAN BASE units communicating)

[85ce623f3ada31ee9b4d05d45174542d.mp4](#)