

| GENERAL TOLERANCE | | | | | | | | | |
|-------------------|--------|--------|---------|---------|---------|--------|---------|---------|---------|
| | 10 MAX | 50 MAX | 100 MAX | 250 MAX | 250 OVR | R5 MAX | R10 MAX | R20 MAX | R20 OVR |
| A | ±0.15 | ±0.2 | ±0.3 | ±0.5 | ±0.75 | ±0.1 | ±0.1 | ±0.1 | ±3° |
| B | ±0.2 | ±0.3 | ±0.55 | ±0.95 | ±1.4 | ±0.1 | ±0.1 | ±2.5 | ±3° |
| ◎ | ±0.3 | ±0.5 | ±0.8 | ±1.4 | ±2 | ±0.15 | ±3° | ±0.15 | ±3° |

TABLE 1

| SUB ASSEMBLY PART NO. | NO. | AND CH. CODE |
|-----------------------|-----|--------------|
| ▽7287-1916 ETC. | ① | SEE TABLE 2 |
| | ② | 7172-0229 |

| SUB ASSEMBLY PART NO. | | | PART NO. | AND CH. CODE | COLOR |
|-----------------------|--------------|--------------|----------|--------------|------------|
| ▽7287-1916-90 | 7187-1916-90 | 7287-1916-90 | | | NATURAL |
| ▽7287-1916-40 | 7187-1916-40 | 7287-1916-40 | | | BLACK |
| ▽7287-1916-30 | 7187-1916-30 | 7287-1916-30 | | | LIGHT GRAY |
| ▽7287-1916-90 | 7187-1916-90 | 7287-1916-90 | | | BLUE |

注記

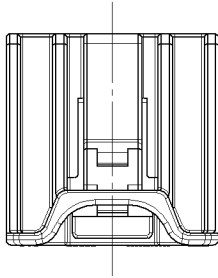
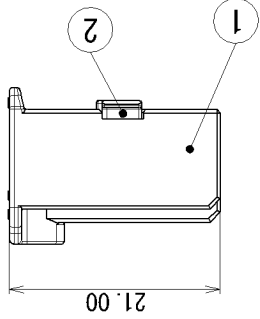
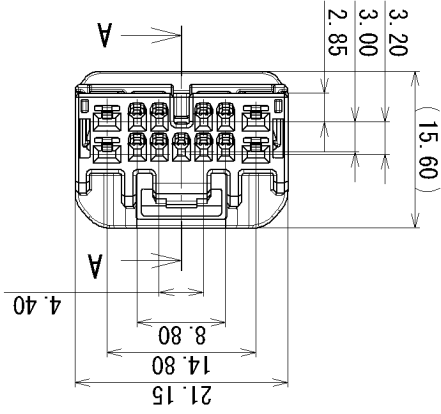
▽1. かん合相手品番 : 7286-1916 ETC.

▽2. 取扱説明書NO. YPES-15-961

NOTES

▽1. MATING PART NO. : 7286-1916 ETC.

▽2. HANDLING MANUAL YPES-15-961



ISSUE MARK

| LET | DATE | REVISION RECORD | NO. | CHKD | VENDOR | VENDOR NO. |
|-----|------------|---------------------------|----------|------|-------------------|------------|
| ▽ | 2010/10/19 | ADDED COLOR PART NO. ETC. | C10-Z384 | R. U | CUSTOMER PART NO. | CUSTOMER |
| | 2007/08/31 | NEW | C07-Z623 | T. M | OFFICE | |
| | | | | | TRIAL PART NO. | |

| GENERAL TOLERANCE | | | | | | | | | |
|-------------------|-------|-------|--------|--------|--------|-------|--------|-----------|------------|
| | 10MAX | 50MAX | 100MAX | 250MAX | 250OVR | ANGLE | ECCENT | DWG TYPE | DWG SOURCE |
| A | ±0.15 | ±0.2 | ±0.3 | ±0.5 | ±0.75 | ±30' | 0.1 | R | NEW |
| B | ±0.2 | ±0.3 | ±0.55 | ±0.95 | ±1.4 | ±30' | 0.1 | APPROVED | CHECKED |
| C | ±0.3 | ±0.5 | ±0.8 | ±1.4 | ±2 | ±30' | 0-15 | M. FUKUDA | S. KODAMA |

| SPECIFIED | | | | | | | | | |
|-----------|------------|------------|------------|------------|------------|------------|--|--|--|
| | 2010/10/19 | 2010/10/19 | 2010/10/19 | 2010/10/19 | 2006/07/12 | 2010/10/19 | | | |
| | 2010/10/19 | 2010/10/19 | 2010/10/19 | 2010/10/19 | 2006/07/12 | 2010/10/19 | | | |

| CUSTOMER | CUSTOMER PART NO. | CUSTOMER DWG NO. |
|----------|-------------------|------------------|
| | | |

| MATL. | SEE TABLE | TREAT. |
|-------|-----------|--------|
| | | |

| NAME | ▽ 0.64 II 9P + 1.5 4P HYBRID HOUSING |
|------|--------------------------------------|
| | |

| PART NO. | CH. CODE | ANGLE | SCL | UNIT | mm | DESIGN | DRAWN |
|----------|----------|-------|-----|------|----|--------|-------|
| | | 3 | 2:1 | | | | |

| DWG TYPE | DWG SOURCE | DWG DATE | 2007/08/31 |
|----------|------------|----------|------------|
| | | | |

| APPROVED | CHECKED | CHECKED | DESIGN | DRAWN |
|----------|---------|---------|--------|-------|
| | | | | |

| DWG NO. | 7287-1916:R |
|---------|-------------|
| | |

| SET DWG NO. | 7287-1916:R |
|-------------|-------------|
| | |

| YAZAKI CORPORATION |
|--------------------|
| |