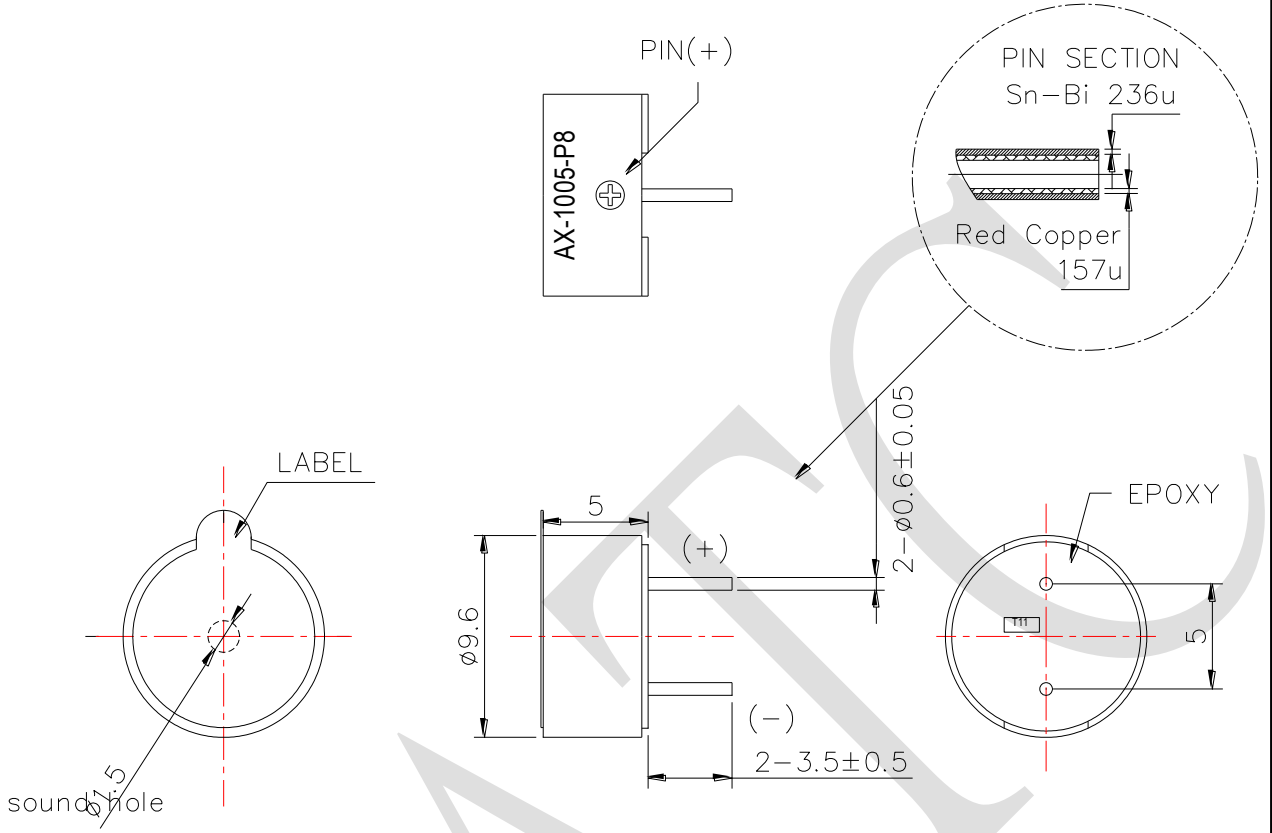


# 1. SPECIFICATION

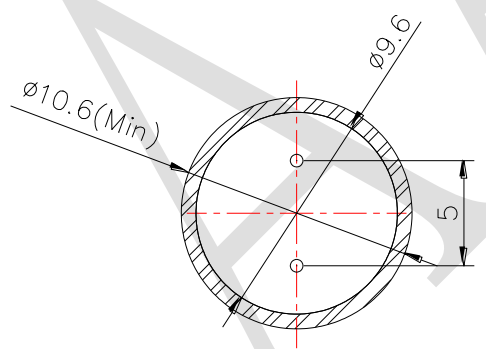
AX-1005-P8

ITEM		UNITS	SPECIFICATIONS	CONDITIONS
01	Rated Voltage	V	5	
02	Operating Voltage	V	3 ~ 7	
03	Consumption Current	mA (Max)	Mean : 25	Rated Voltage
			Peak : 75	
04	Sound pressure level	dBA (Min)	80	Distance at 10cm
05	Resonant Frequency	Hz	2500±200	

REV NO.	REVISION NOTE	APPROVAL	DATE
---------	---------------	----------	------



RECOMMEND PCB LAYOUT



RoHS

TITLE: ELECTRO MAGNETIC BUZZER	DRAWN: <b>Zack</b> 2015/10/21	SCALE: 4:1	SHEET: 1 of 1
PART NO. AX-1005-P8	DESIGNED: R&D OF AAT	UNITS: mm	TOLERANCE ± 0.5
DWG NO. UGCM0905XP3.5-2700	3 REV	CHECKED:	UNLESS OTHERWISE SPECIFIED:
		APPROVAL:	ONE PLACE DECIMAL ± ***
	MATERIAL: NORYL	TWO PLACE DECIMAL ± ***	THREE PLACE DECIMAL ± ***



ADVANCED ACOUSTIC TECHNOLOGY CORPORATION

For more information, please contact AATC.

AATC