
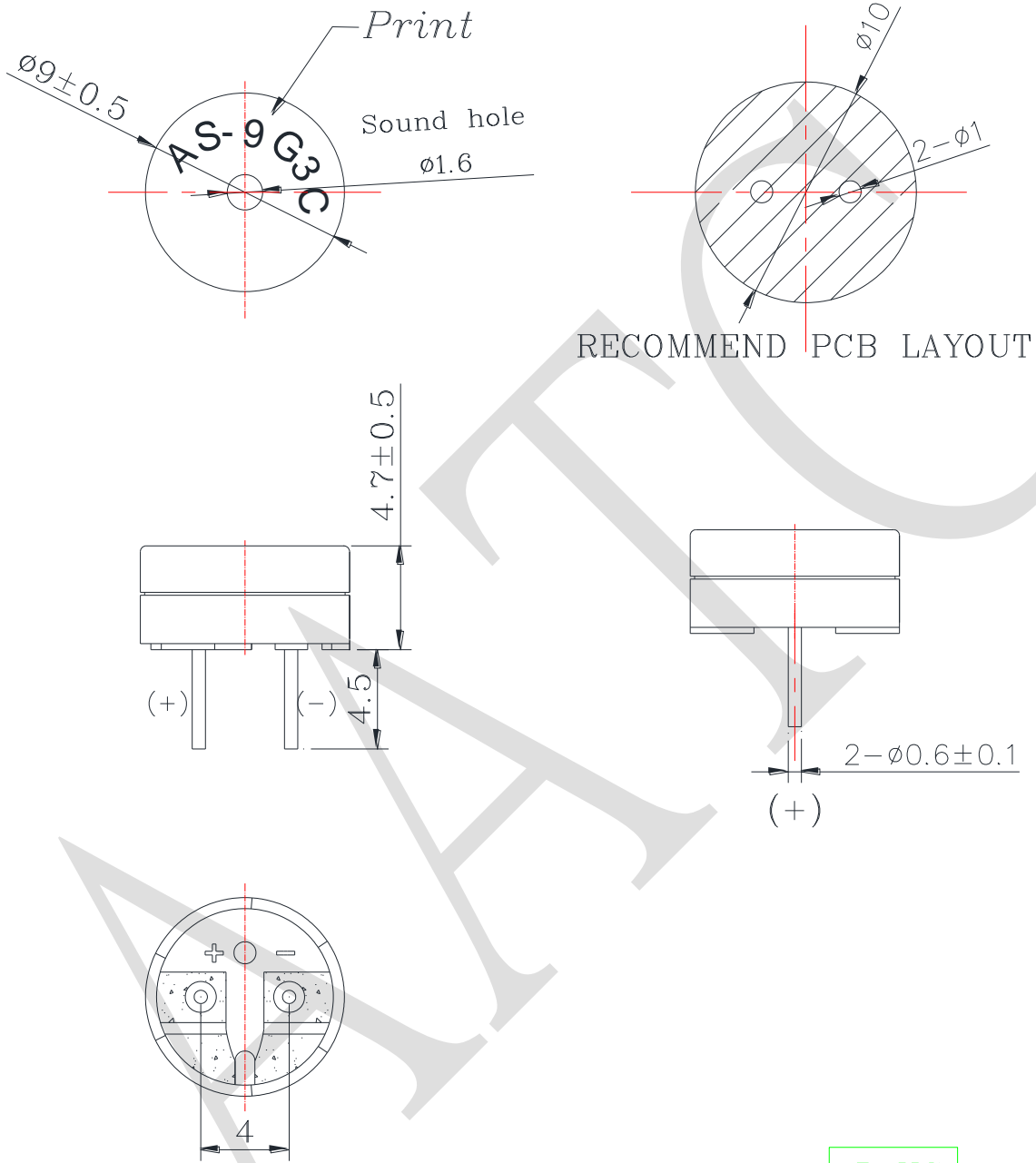


1. SPECIFICATION

AS-9G3C

ITEM		UNITS	SPECIFICATIONS	CONDITIONS
01	Rated Voltage	V	3	 <p>Standard state, standard drive circuit. Square wave 1/2 duty.</p>
02	Operating Voltage	V	2 ~ 4.2	
03	Consumption Current	mA Max.	150	
04	Sound pressure level (Distance at 10cm)	dB(A) Min.	93	Rated voltage, rated frequency.
05	Direct Current Resistance	Ω	8 ± 1.2	
06	Rated Frequency	Hz	2730	

REV NO.	REVISION NOTE	APPROVAL	DATE
---------	---------------	----------	------



RoHS

TITLE: ELECTRO MAGNETIC BUZZER		DRAWN: Hank	2020/03/05	SCALE: 4:1	SHEET: 1 of 1
PART NO. AS-9G3C		DESIGNED: R&D OF AAT		UNITS: mm	
DWG NO. JM90473E8P		CHECKED:		TOLERANCE ± 0.5	
REV 1		APPROVAL:		UNLESS OTHERWISE SPECIFIED:	
		MATERIAL: PPO		ONE PLACE DECIMAL \pm ***	
				TWO PLACE DECIMAL \pm ***	
				THREE PLACE DECIMAL \pm ***	



ADVANCED ACOUSTIC TECHNOLOGY CORPORATION

For more information, please contact AATC.

AATC