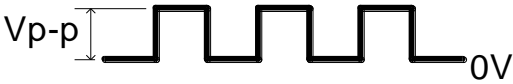
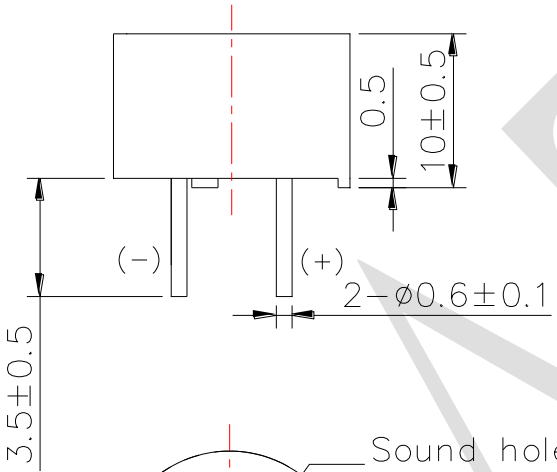
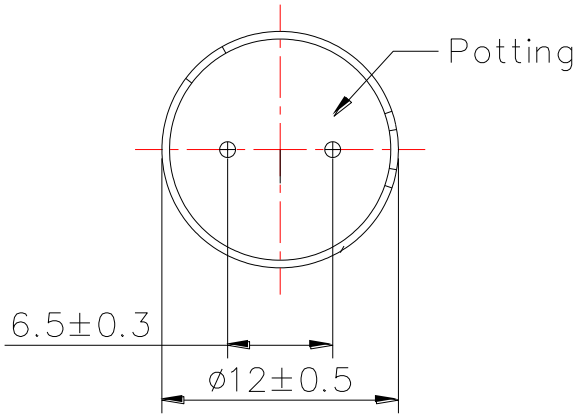


1. SPECIFICATION

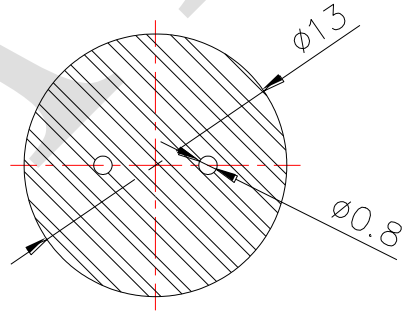
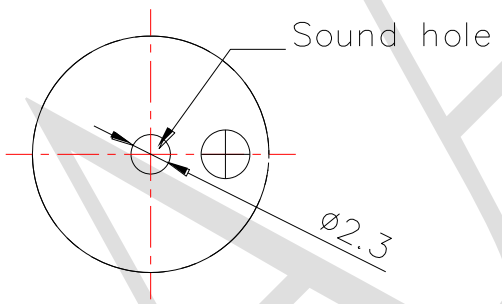
AP-12M12F

ITEM		UNITS	SPECIFICATIONS	CONDITIONS
01	Rated Voltage	V	12	
02	Operating Voltage	V	10 ~ 16	
03	Consumption Current	mA Max.	50	Standard state, standard drive circuit. Square wave 1/2 duty.
04	Sound pressure level (Distance at 10cm)	dB(A) Min.	92	Rated voltage, rated frequency.
05	Direct Current Resistance	Ω	120±10	
06	Rated Frequency	Hz	4000	

REV NO.	REVISION NOTE	APPROVAL	DATE
---------	---------------	----------	------



Recommended PCB LAYOUT



RoHS

TITLE: ELECTRO MAGNETIC BUZZER		DRAWN: Zack	2019/07/02	SCALE: 4:1	SHEET: 1 of 1
PART NO. AP-12M12F		DESIGNED: R&D OF AAT		UNITS: mm	
DWG NO. ZDC-120100F-12040R120		CHECKED:		TOLERANCE ± 0.5	
		APPROVAL:		UNLESS OTHERWISE SPECIFIED:	
1	REV	MATERIAL: PBT		ONE PLACE DECIMAL ± ***	
				TWO PLACE DECIMAL ± ***	
				THREE PLACE DECIMAL ± ***	



ADVANCED ACOUSTIC TECHNOLOGY CORPORATION

For more information, please contact AATC.

AATC