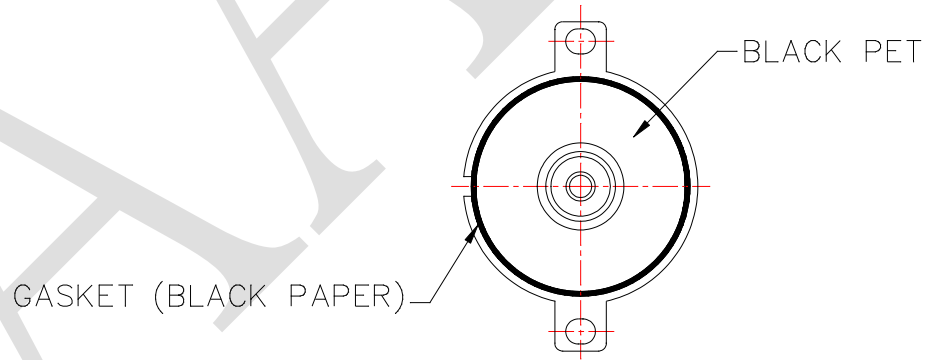
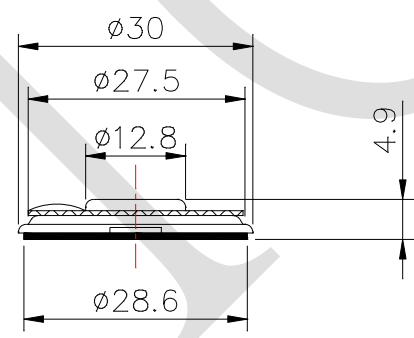
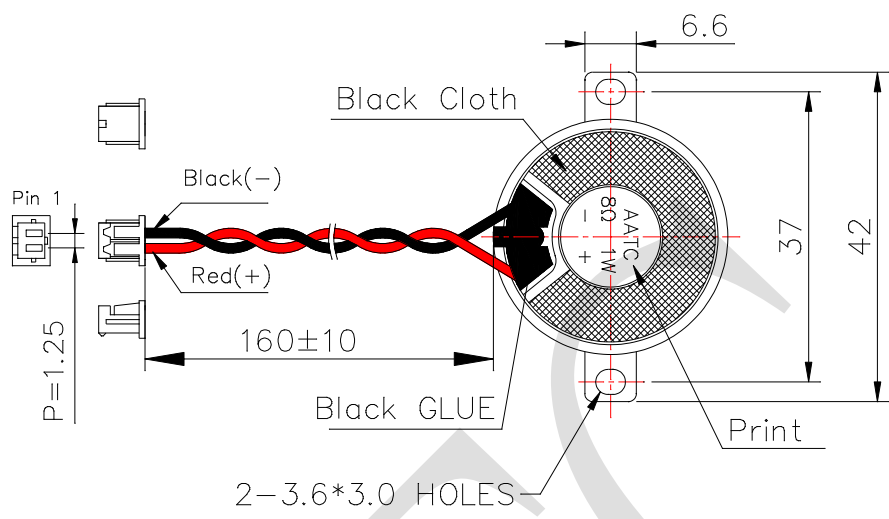


1. SPECIFICATION

AK-3008AB-4C16

ITEM		SPECIFICATIONS	
01	Type	Dynamic speaker	
02	Dimension	External diameter 30 mm	
03	Rated Input Power	1.0 W	
04	Max. Input Power	1.5 W for 1 minute	
05	Impedance	$8\Omega \pm 15\%$ at 2KHz 1V	
06	Resonance Frequency (Fo)	610 Hz $\pm 20\%$ at Fo, 1V	
07	Sound pressure level	90 dB(0.1W/0.1M) ± 3 dB	at AVE 0.8, 1.0, 1.2, 1.5 KHz.
		99 dB(1.0W/0.1M) ± 3 dB	
08	Frequency Range	Fo – 20 K Hz	
09	Total Harmonics Distortion	Max 10 % at 1 KHz, 2.83V.	

REV NO.	REVISION NOTE	APPROVAL	DATE
---------	---------------	----------	------



CONNECTOR: Equivalent to MOLEX 1205HM-02
 WIRE: UL 1571.AWG30#

RoHS

TITLE: DYNAMIC SPEAKER	DRAWN: Sunny 2016-10-31	SCALE: 2:1	SHEET: 1:1
PART NO. AK-3008AB-4C16	DESIGNED: R&D OF AAT	UNITS: mm	
DWG NO. ***	CHECKED:	TOLERANCE ± 0.5	
	APPROVAL:	UNLESS OTHERWISE SPECIFIED:	
	MATERIAL: SPCC	ONE PLACE DECIMAL \pm ***	
3		TWO PLACE DECIMAL \pm ***	
REV		THREE PLACE DECIMAL \pm ***	



ADVANCED ACOUSTIC TECHNOLOGY CORPORATION

For more information, please contact AATC.

AATC