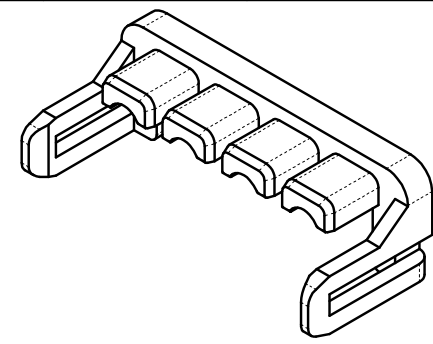
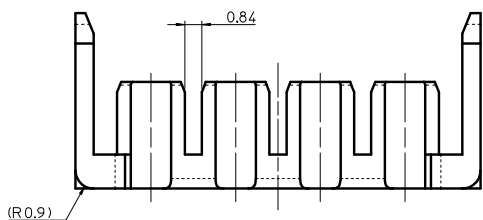
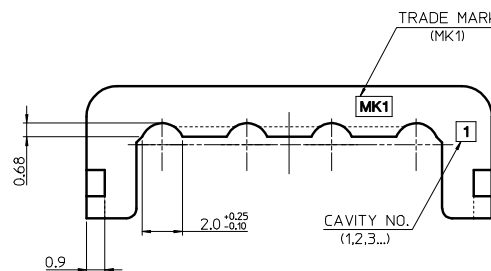
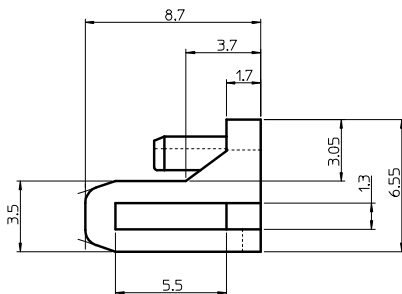
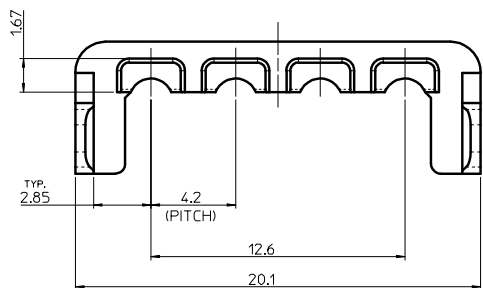
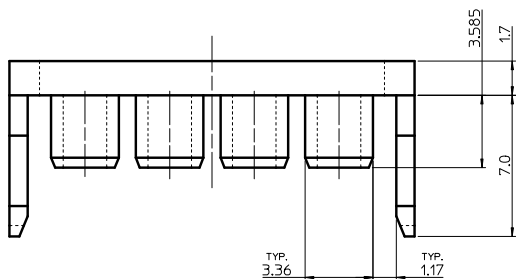


10 9 8 7 6 5 4 3 2 1



NOTES

1. MATERIAL : POLYAMIDE66(G/F:13%), BLUE COLOR
2. APPLICABLE TERMINAL : 5558 T2A SERIES  
 [APPLICABLE WIRE : #24~#26 (INS DIA. : 1.28~1.41mm)]
3. MATED WITH HOUSING : 5559-08PL
4. PRODUCT SPECIFICATION : RPS-49623-001



|  |   |  |  |  |  |
|--|---|--|--|--|--|
| RELEASED<br>EC NO: KOR2016-0042<br>DRWN: SCHONG03 2015/11/06<br>CHKD: SHCHU 2015/11/06<br>APPR: YSK1M02 2016/10/31 | QUALITY SYMBOLS<br>▽=0<br>∇=0   | GENERAL TOLERANCES (UNLESS SPECIFIED)<br>mm INCH<br>4 PLACES ± --- ± ---<br>3 PLACES ± --- ± ---<br>2 PLACES ± 0.3 ± ---<br>1 PLACE ± 0.3 ± ---<br>0 PLACE ± --- ± --- | DIMENSION STYLE<br>MM ONLY<br>DRAWN BY SCHONG03 DATE 2015/11/06<br>CHECKED BY SHCHU DATE 2015/11/06<br>APPROVED BY YSK1M02 DATE 2016/10/31 | SCALE 4:1<br>DESIGN UNITS METRIC<br>THIRD ANGLE PROJECTION | TITLE<br>NEW MINI.FIT CONNECTOR LOWER TPA FOR CRIMP PIN HOUSING<br><b>molex</b><br>MATERIAL NO. 495440892<br>DOCUMENT NO. SD-49544-002<br>SHEET NO. 1 OF 1 |
|  | DRAFT WHERE APPLICABLE MUST REMAIN WITHIN DIMENSIONS                  | ANGULAR ± 1 °  | THIS DRAWING CONTAINS INFORMATION THAT IS PROPRIETARY TO MOLEX INCORPORATED AND SHOULD NOT BE USED WITHOUT WRITTEN PERMISSION              |  |  |
|  | REV A   | DESCRIPTION  | SIZE A3  |  |  |
|  | EC NO: KOR2016-0042<br>DRWN: SCHONG03<br>CHKD: SHCHU<br>APPR: YSK1M02 | 2015/11/06<br>2015/11/06<br>2016/10/31   | DATE<br>DATE<br>DATE   |  |  |

9 8 7 6 5 4 3 2 1