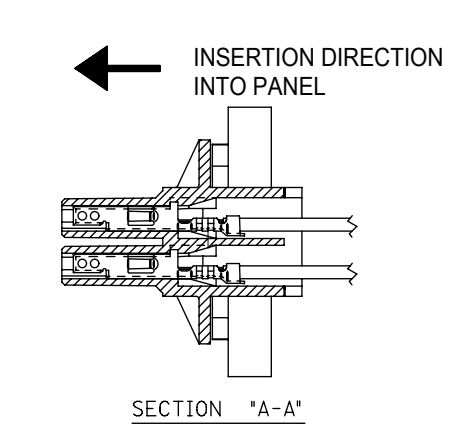
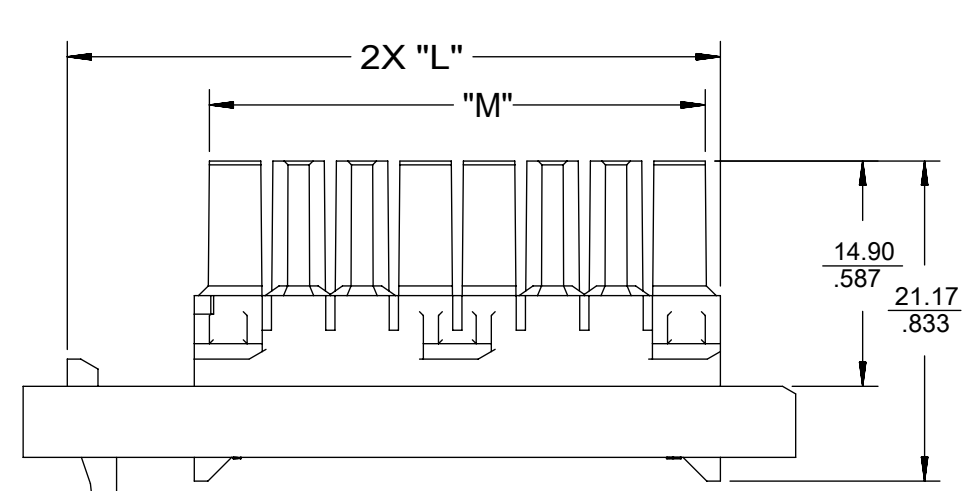
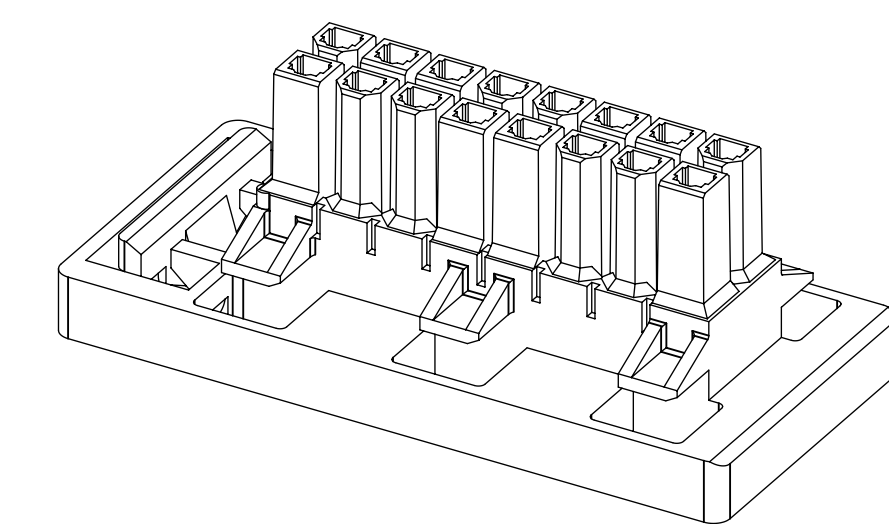
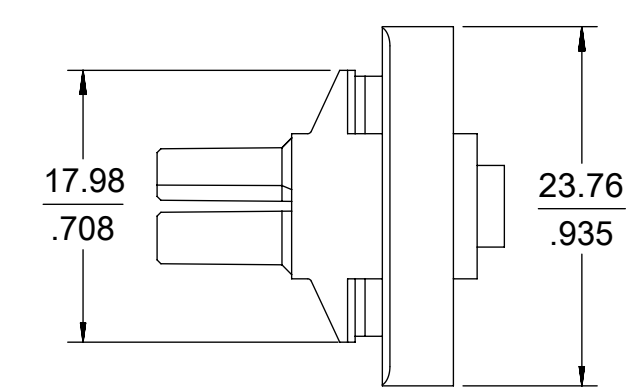
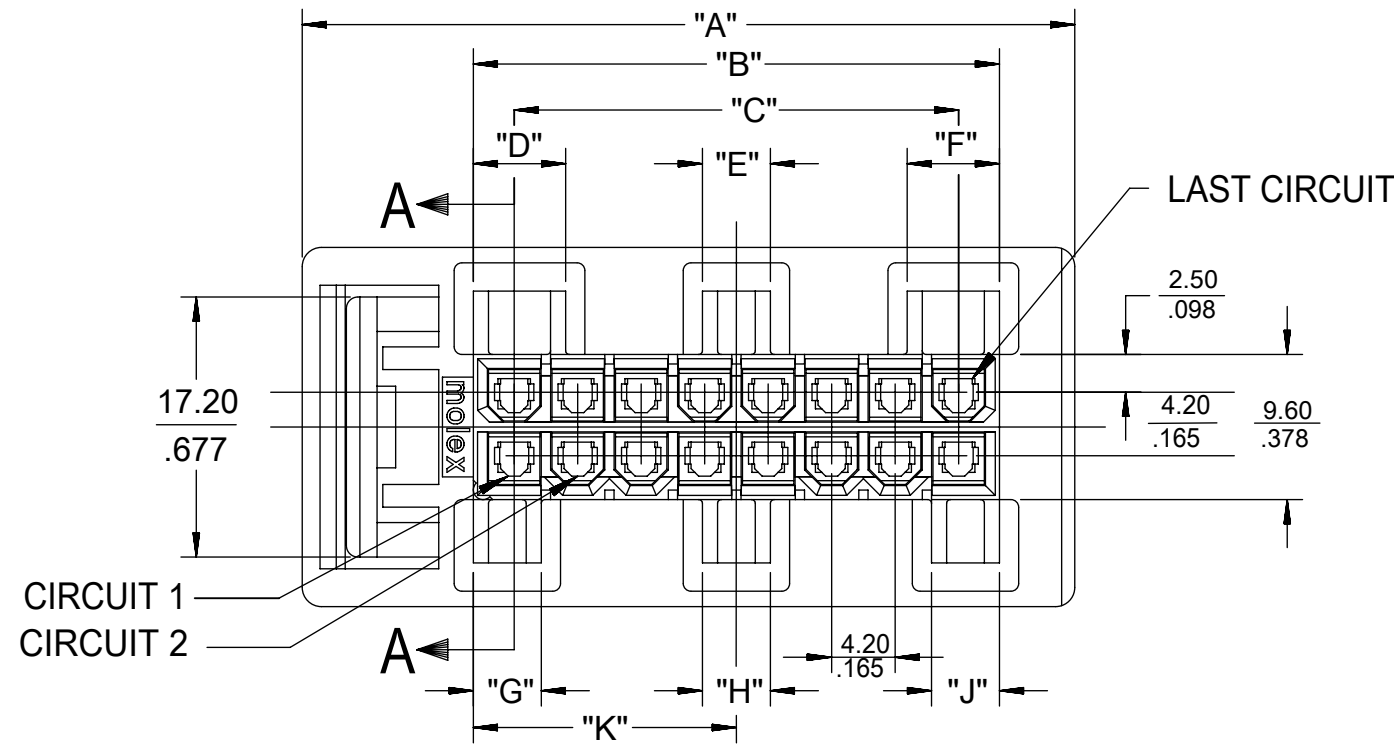


CKT. SIZE	MATERIAL NUMBER	DIM. "A"	DIM. "B"	DIM. "C"	DIM. "D"	DIM. "E"	DIM. "F"	DIM. "G"	DIM. "H"	DIM. "J"	DIM. "K"	DIM. "L"	DIM. "M"	PACKAGING SPECIFICATION
4	44516-2002	25.9 (1.02)	9.60 (.378)	4.20 (.165)	N/A	4.50 (.177)	N/A	N/A	4.50 (.177)	N/A	4.80 (.189)	18.00 (.709)	7.60 (.299)	PK-44516-002
6	44516-2003	30.10 (1.185)	13.80 (.543)	8.40 (.331)	N/A	4.50 (.177)	N/A	N/A	4.50 (.177)	N/A	6.90 (.272)	22.20 (.874)	11.80 (.465)	PK-44516-002
8	44516-2004	34.3 (1.35)	18.00 (.709)	12.60 (.496)	N/A	6.11 (.240)	N/A	4.50 (.177)	N/A	4.50 (.177)	9.00 (.354)	26.40 (1.039)	16.00 (.630)	PK-44516-002
10	44516-2005	38.5 (1.52)	22.20 (.874)	16.80 (.661)	N/A	6.11 (.240)	N/A	4.50 (.177)	N/A	4.50 (.177)	11.10 (.437)	30.60 (1.205)	20.20 (.795)	PK-44516-002
12	44516-2006	42.70 (1.681)	26.40 (1.039)	21.00 (.827)	6.11 (.240)	N/A	6.11 (.240)	4.50 (.177)	N/A	4.50 (.177)	N/A	34.80 (1.370)	24.40 (.961)	PK-44516-002
14	44516-2007	46.9 (1.85)	30.60 (1.205)	25.20 (.992)	6.11 (.240)	3.59 (.141)	6.11 (.240)	4.50 (.177)	3.59 (.141)	4.50 (.177)	15.30 (.602)	39.00 (1.535)	28.60 (1.126)	PK-44516-005
16	44516-2008	51.1 (2.01)	34.80 (1.370)	29.40 (1.157)	6.11 (.240)	4.50 (.177)	6.11 (.240)	4.50 (.177)	4.50 (.177)	4.50 (.177)	17.40 (.685)	43.20 (1.701)	32.80 (1.291)	PK-44516-002



TERMINAL ORIENTATION

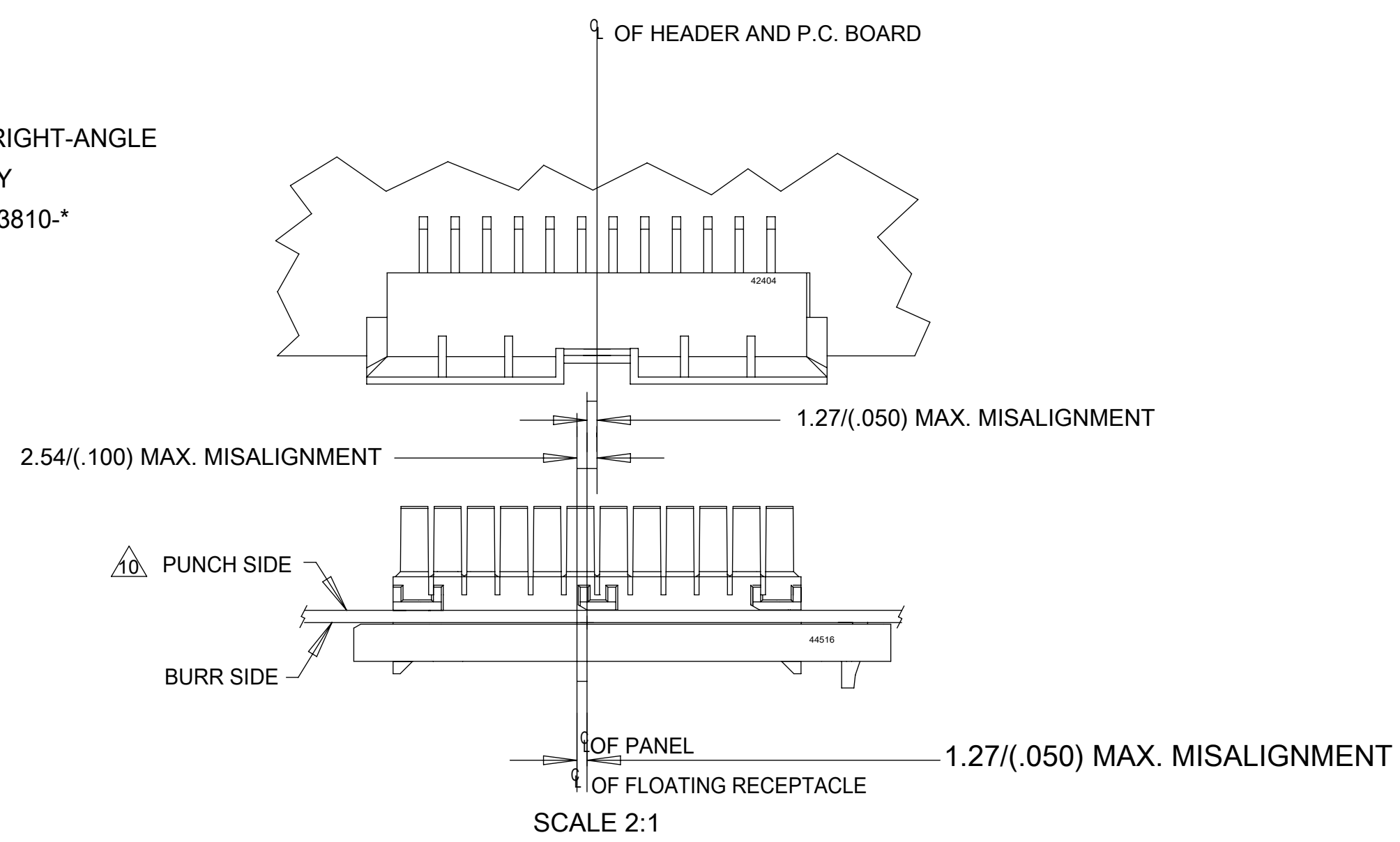
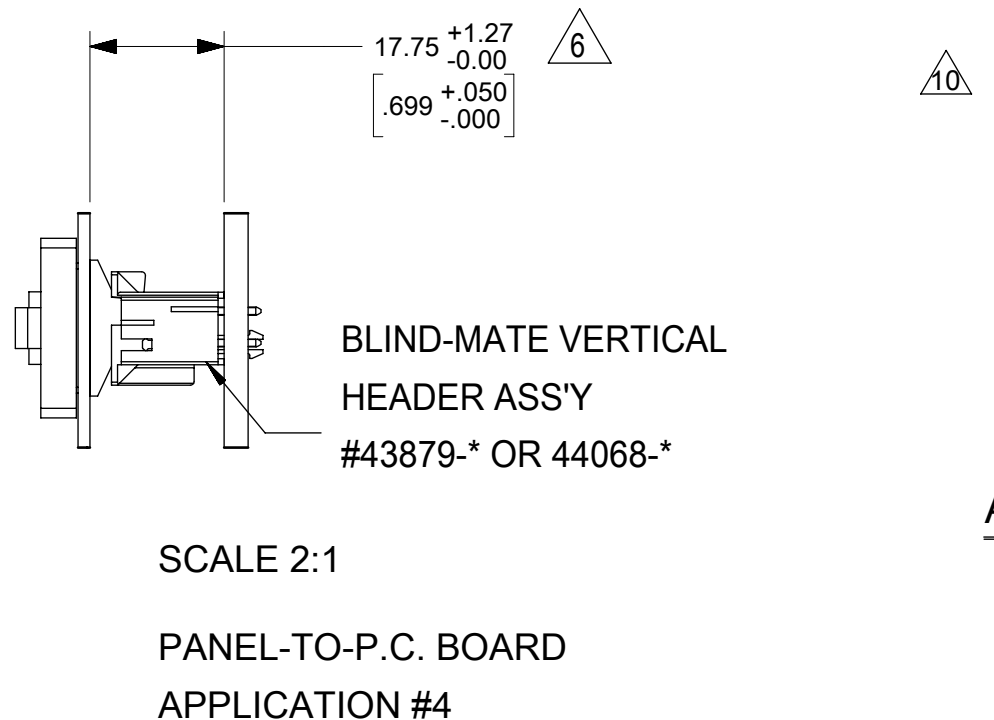
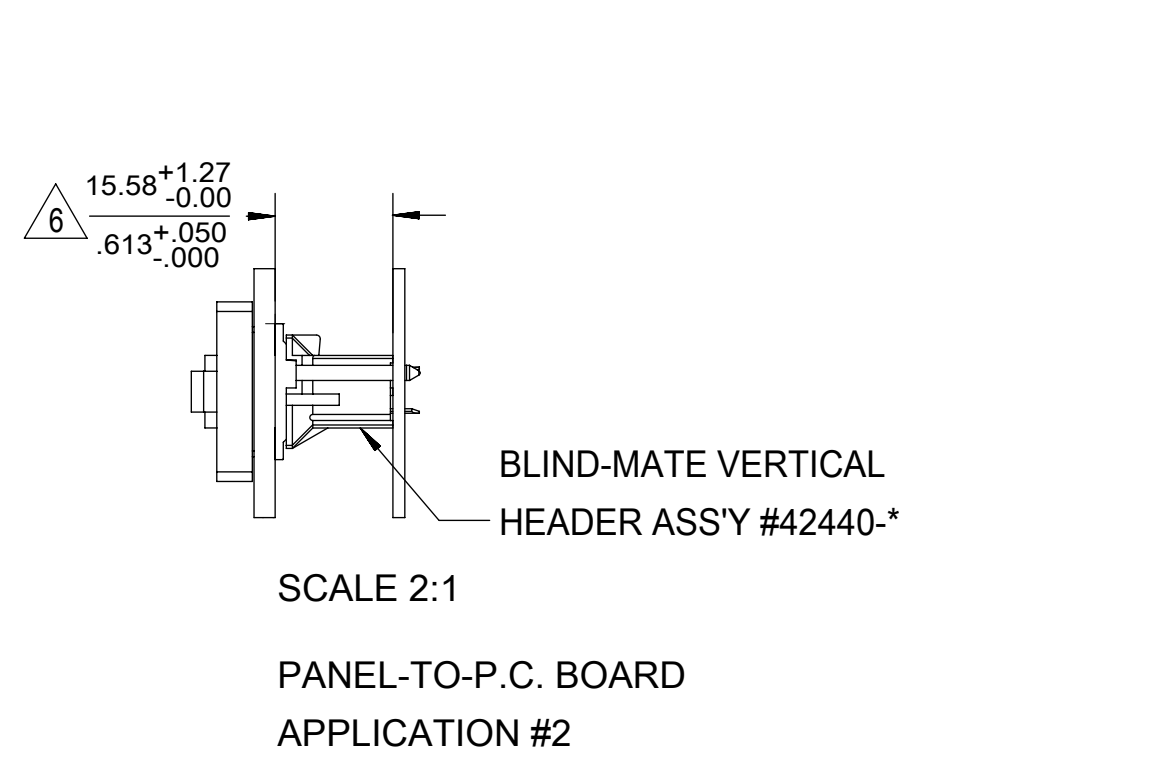
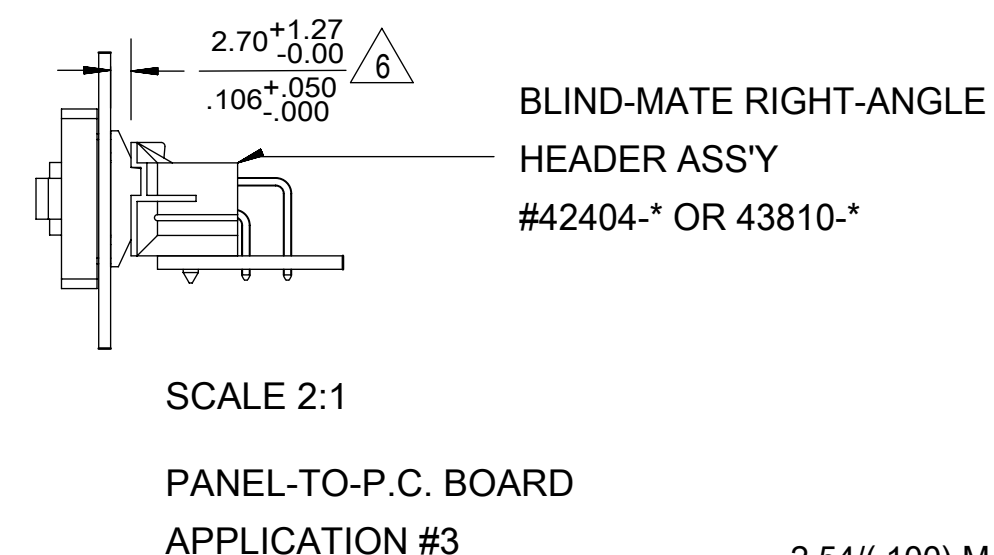
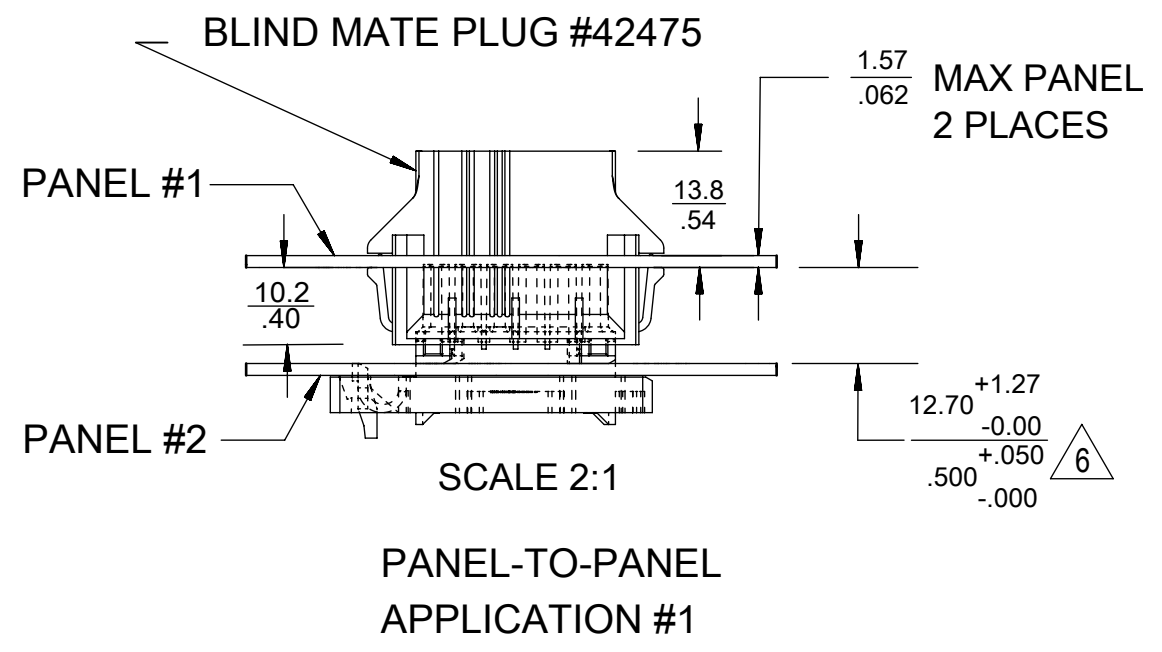
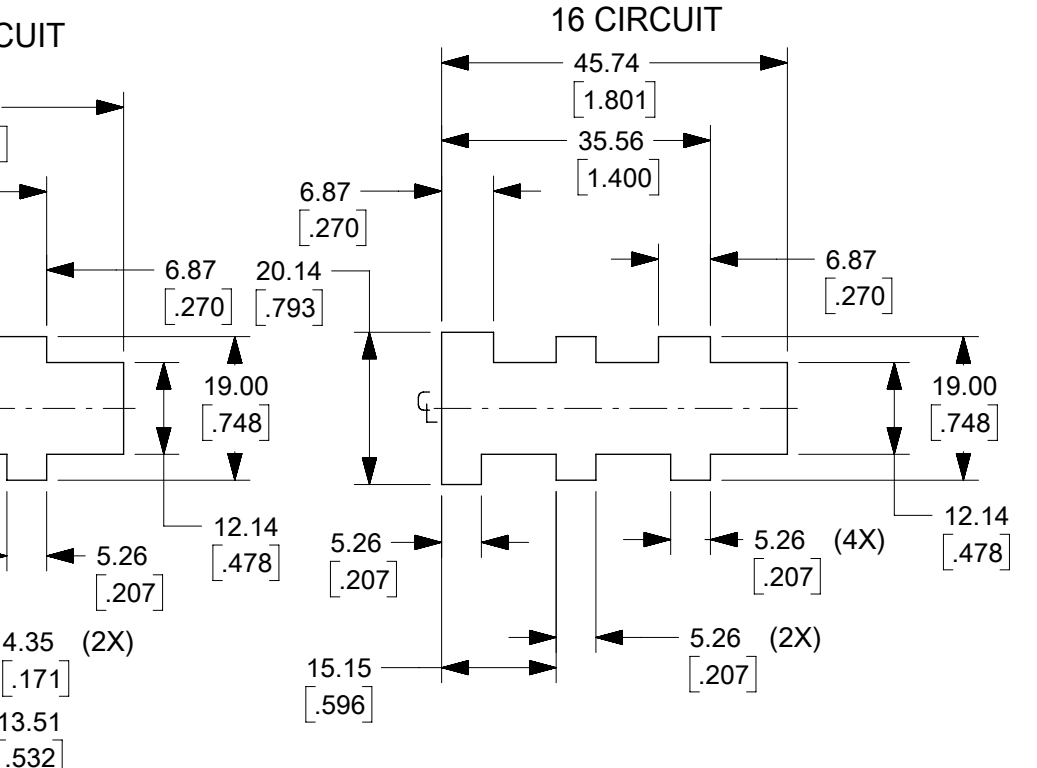
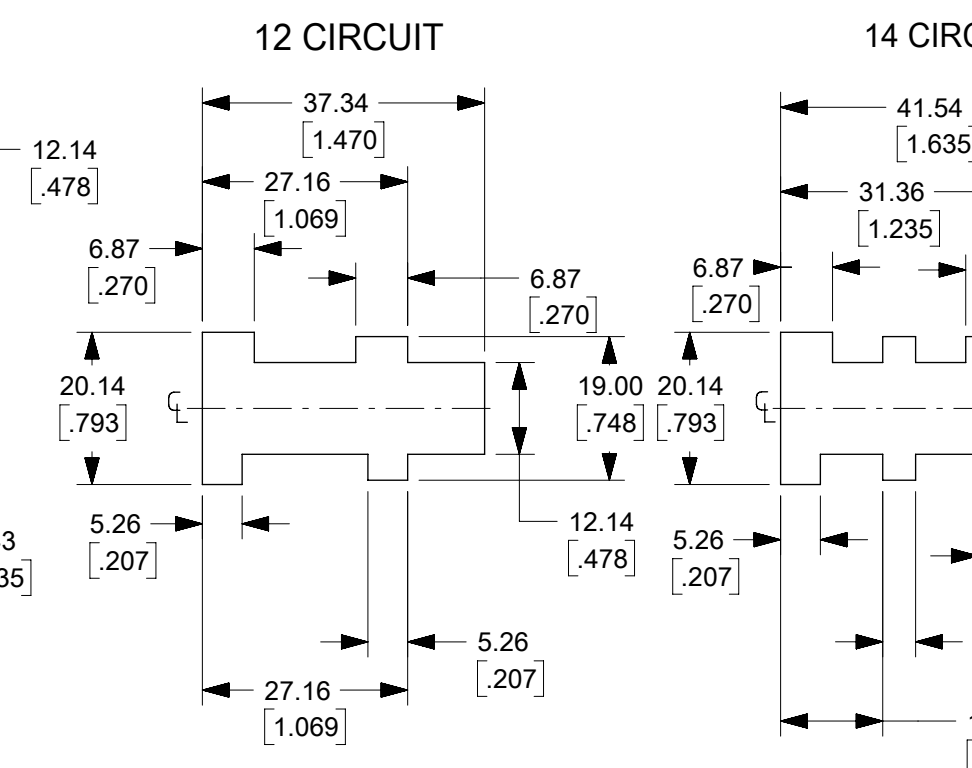
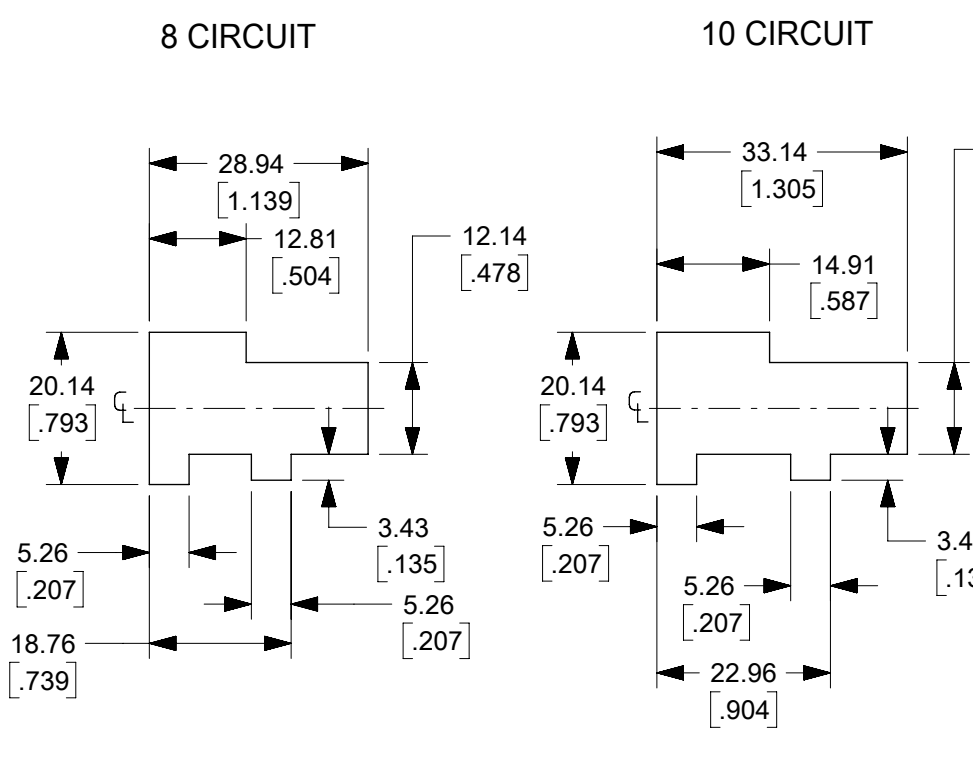
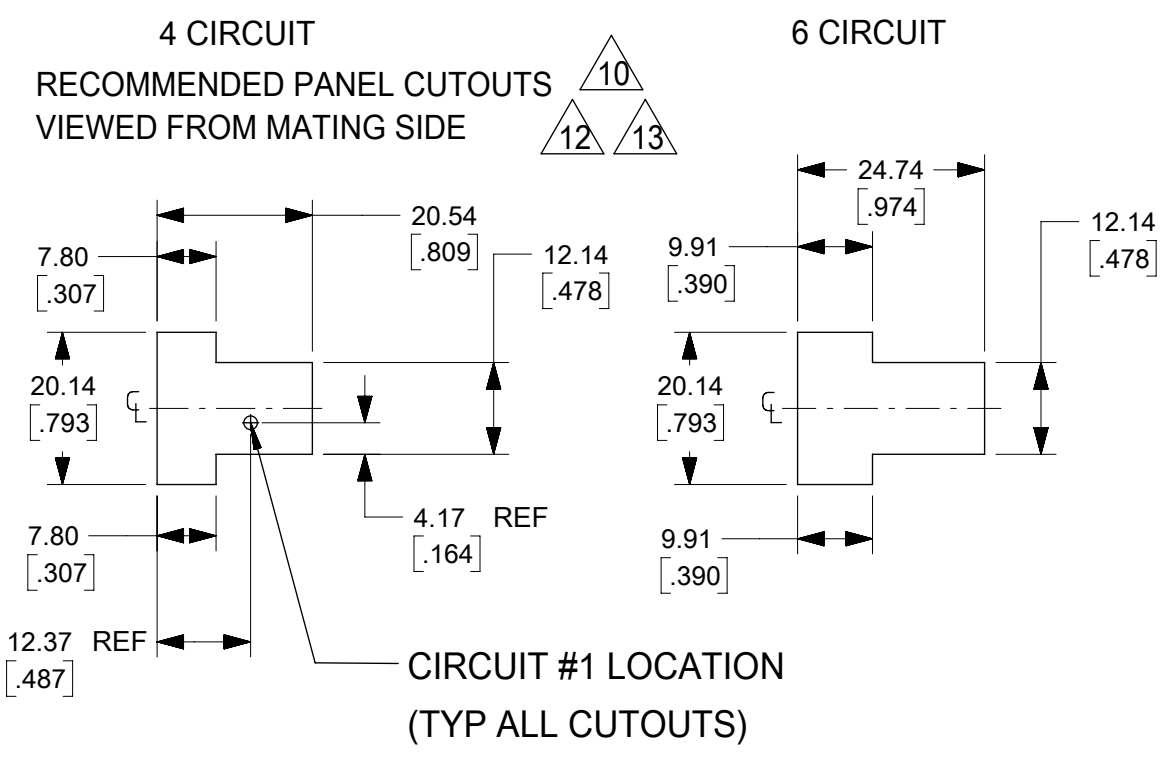
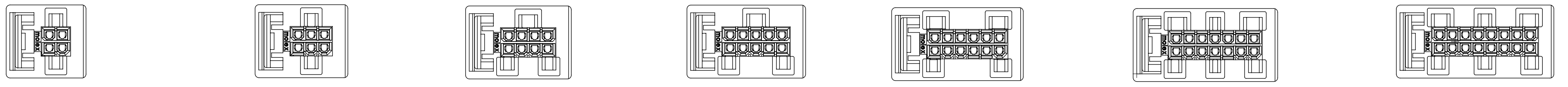
NOTES:

- MATERIAL: NYLON, UL94V-2, COLOR:BLACK, IEC 60335-1, 5TH EDITION, GLOW WIRE CAPABLE
- FINISH: N/A
- PRODUCT SPECIFICATION: PS-5556-002
- PACKAGING SPECIFICATION: SEE CHART
- PART MATES WITH MINI-FIT B.M.I. PLUG #42475, AND HEADERS 42404, 42440, 44068, 43879, 43810.
- A MAXIMUM TOLERANCE OF 1.27/(.050) ALLOWS FOR 2 POINTS OF ELECTRICAL CONTACT. A MAXIMUM TOLERANCE OF .51/(.020) ALLOWS FOR 4 POINTS OF CONTACT.
- PART TO BE USED WITH MOLEX FEMALE TERMINAL #5556 OR 45750.
- WIRES TO BE DRESSED IN SUCH A MANNER TO ALLOW THE TERMINALS TO FLOAT FREELY IN THE POCKETS AND THE CONNECTOR TO FLOAT FREELY IN THE PANEL.
- CONNECTOR ASSEMBLIES ARE NOT TO BE MATED OR UNMATED WHILE CIRCUITS ARE LIVE.
- PANEL SHOULD BE PUNCHED IN THE DIRECTION OPPOSITE OF CONNECTOR INSERTION.
- THIS PART IS NOT INTENDED TO PROVIDE ANY ALIGNMENT OF CUSTOMER COMPONENTS OR MODULES, SUCH AS POWER SUPPLIES AND CHASSIS.
- SEE SHEET 2 FOR PANEL CUTOUT DIMENSIONS. PANEL CUTOUT DIMENSIONS HAVE A TOLERANCE OF ± .076/(.003).

- MOLEX RECOMMENDS 1.57/(.119)/(0.062)/.047 MAX./MIN. PANEL THICKNESS.
- IT IS THE RESPONSIBILITY OF THE CUSTOMER TO ENSURE THAT THE PANEL TO WHICH THE RECEPTACLE IS MOUNTED IS SUFFICIENTLY SUPPORTED SO THAT FLEXING OF THE PANEL DURING MATING DOES NOT PREVENT THE CONNECTOR SYSTEM FROM BEING FULLY MATED.
- THIS PART IS NOT INTENDED TO ACT AS A HARD STOP FOR CUSTOMER COMPONENTS.
- THIS CONNECTOR ALLOWS FOR 1.27/(.050) MAX. MISALIGNMENT IN ANY DIRECTION
- PART CONFORMS TO CLASS "B" REQUIREMENTS OF COSMETIC SPECIFICATION PS-45499-002 WITH THE EXCEPTION OF DISCOLORATION, SINK, & FLASH MEETS CLASS "C" REQUIREMENTS.

SYMBOLS		THIS DRAWING CONTAINS INFORMATION THAT IS PROPRIETARY TO MOLEX ELECTRONIC TECHNOLOGIES, LLC AND SHOULD NOT BE USED WITHOUT WRITTEN PERMISSION		CURRENT REV DESC: REM NOT TOOLED MARKS	
▽ = 0	MM/IN	SCALE	2:1	EC NO: 615181 DRWN: JBAUMERT 2019/03/14 CHK'D: DSTEIER 2019/04/18 APPR: FSMITH 2019/04/23	
▽ = 0	GENERAL TOLERANCES (UNLESS SPECIFIED)				
▽ = 0		MM	INCH	INITIAL REVISION: DRWN: HRIBAR 2001/08/21 APPR: MARGULIS 2001/08/21	
▽ = 0	4 PLACES	±	±		
▽ = 0	3 PLACES	±	± 0.01	DOCUMENT NUMBER: 445160004-SD DOC TYPE: PSD DOC PART: 000 REVISION: A2	
▽ = 0	2 PLACES	± 0.25	± 0.014		
▽ = 0	1 PLACE	± 0.35	±	MATERIAL NUMBER: SEE CHART CUSTOMER: GENERAL MARKET SHEET NUMBER: 1 OF 2	
▽ = 0	0 PLACES	±	±		
▽ = 0	ANGULAR TOL	± 0.5°		THIRD ANGLE PROJECTION	
▽ = 0	DRAFT WHERE APPLICABLE MUST REMAIN WITHIN DIMENSIONS			DRAWING: C-SIZE	SERIES: 44516

TOP VIEWS



ALIGNMENT TOLERANCES FOR 1.27/(.050) MAX. BOARD TO PANEL MISALIGNMENT
1.27/(.050) RECEPTACLE FLOAT.

SYMBOLS	THIS DRAWING CONTAINS INFORMATION THAT IS PROPRIETARY TO MOLEX ELECTRONIC TECHNOLOGIES, LLC AND SHOULD NOT BE USED WITHOUT WRITTEN PERMISSION				
	DIMENSION UNITS	SCALE	CURRENT REV DESC: REM NOT TOOLED MARKS		
∇ = 0	MM/IN	1:1	EC NO: 615181 DRWN: JBAUMERT 2019/03/14 CHK'D: DSTEIER 2019/04/18 APPR: FSMITH 2019/04/23 INITIAL REVISION: DRWN: HRIBAR 2001/08/21 APPR: MARGULIS 2001/08/21		
∇ = 0	GENERAL TOLERANCES (UNLESS SPECIFIED)				
∇ = 0		MM			INCH
∇ = 0	4 PLACES	±			±
∇ = 0	3 PLACES	±	± 0.01		
∇ = 0	2 PLACES	± 0.25	± 0.014		
∇ = 0	1 PLACE	± 0.35	±		
∇ = 0	0 PLACES	±	±		
∇ = 0	ANGULAR TOL	± 0.5 °			
∇ = 0	DRAFT WHERE APPLICABLE MUST REMAIN WITHIN DIMENSIONS	THIRD ANGLE PROJECTION		DRAWING SERIES	
		C-SIZE		44516	

molex

PANEL-MOUNT RECEPTACLE,
4-16 CKT. BLIND MATE, MINI-FIT SLIDE 'N' LOCK
GLOWWIRE

PRODUCT CUSTOMER DRAWING

DOCUMENT NUMBER	DOC TYPE	DOC PART	REVISION
445160004-SD	PSD	000	A2

MATERIAL NUMBER	CUSTOMER	SHEET NUMBER
SEE CHART	GENERAL MARKET	2 OF 2