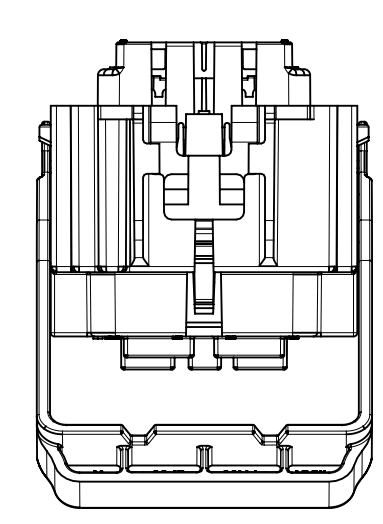
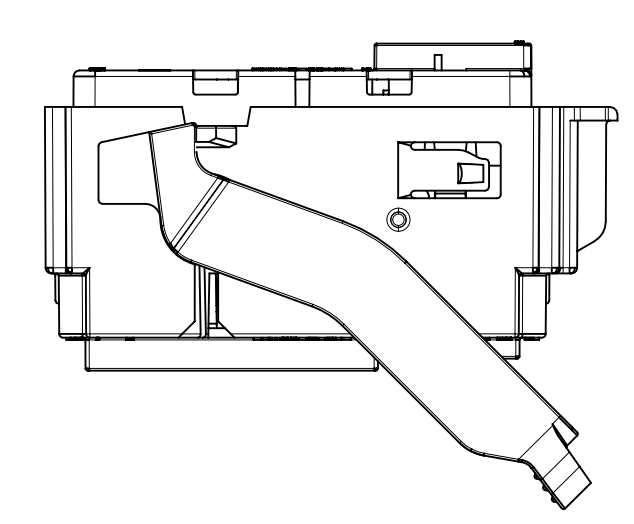
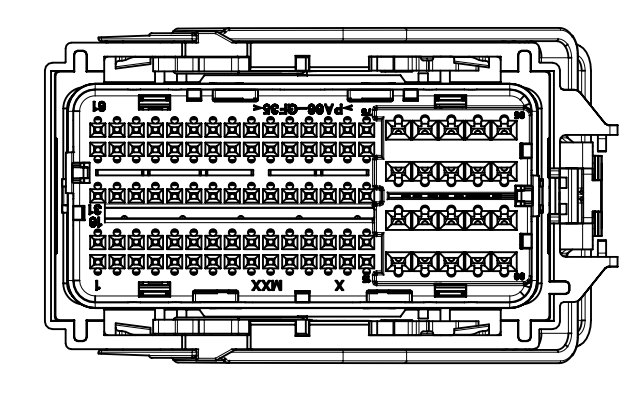
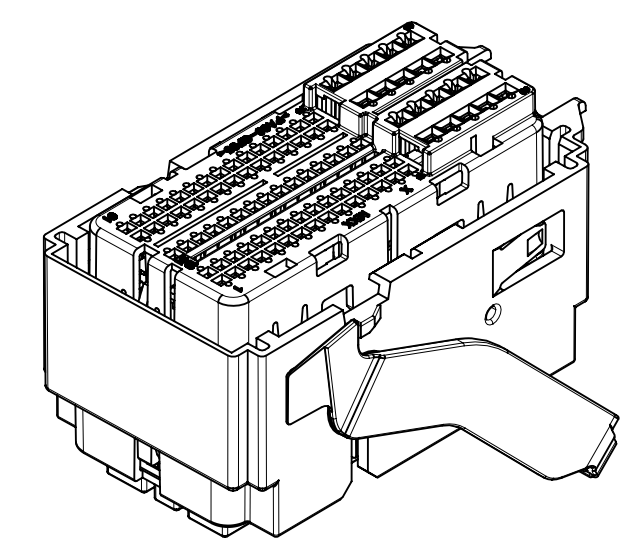
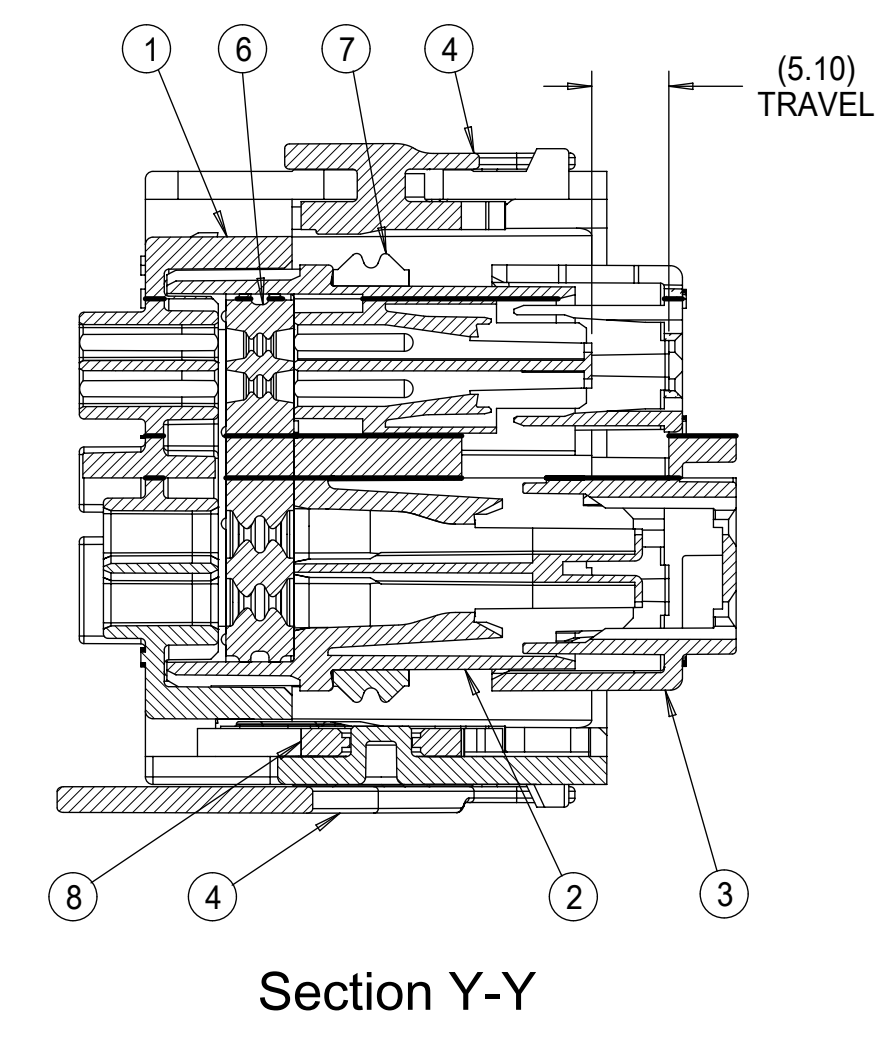
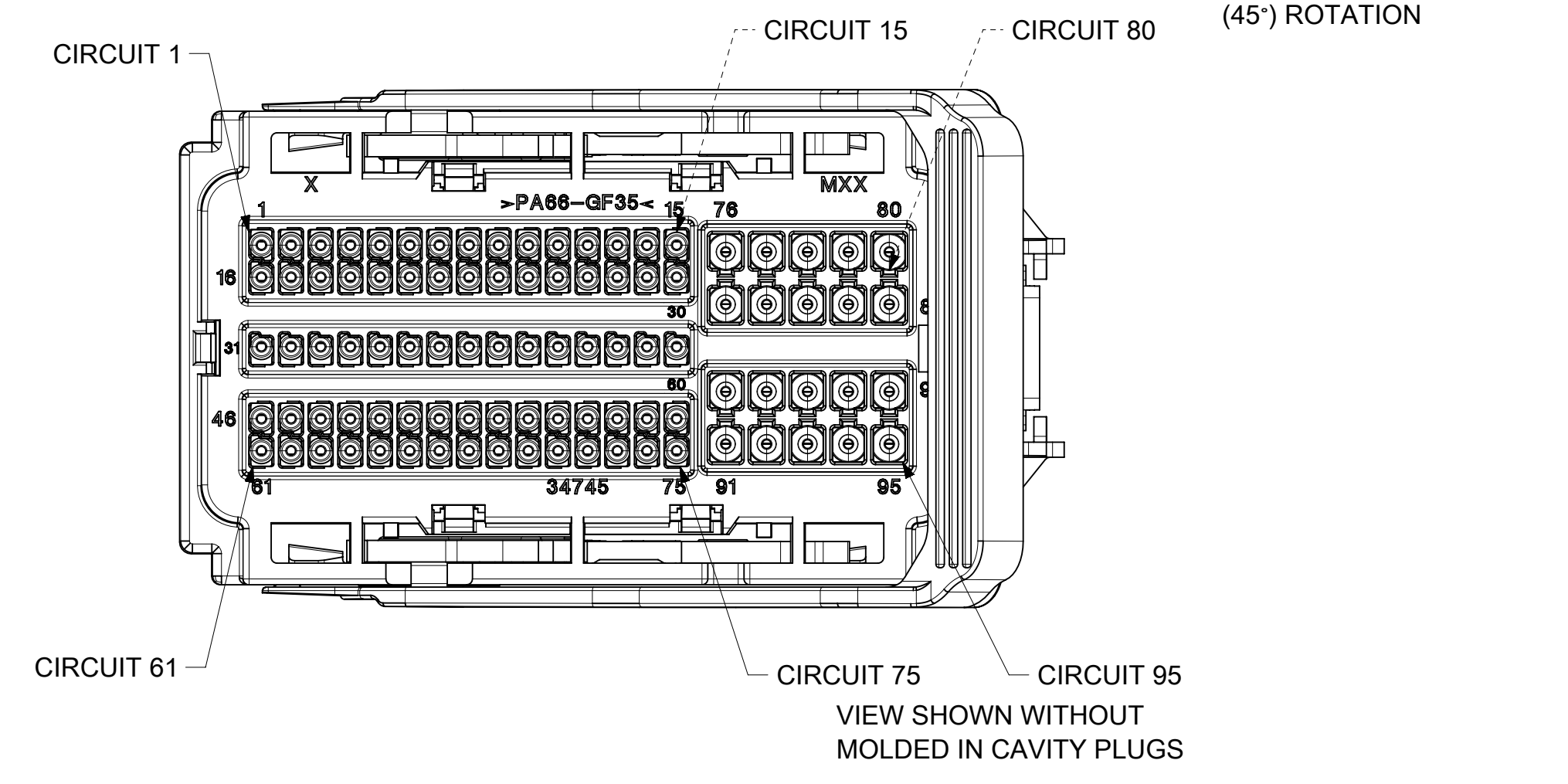
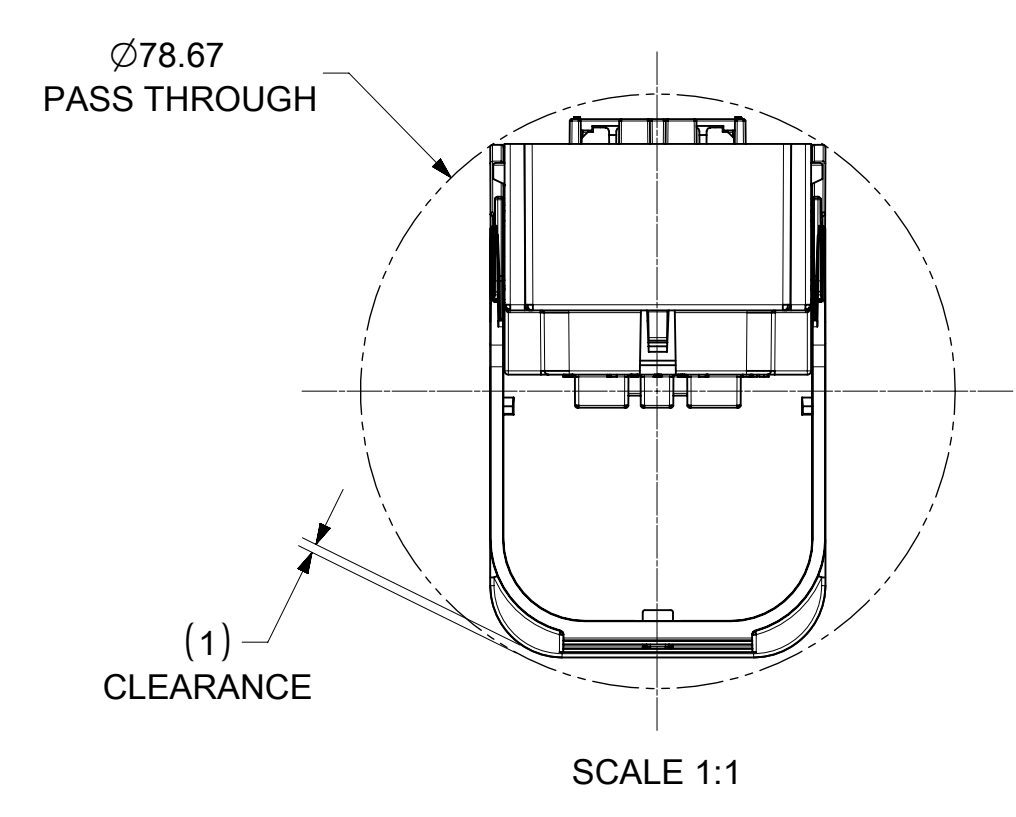
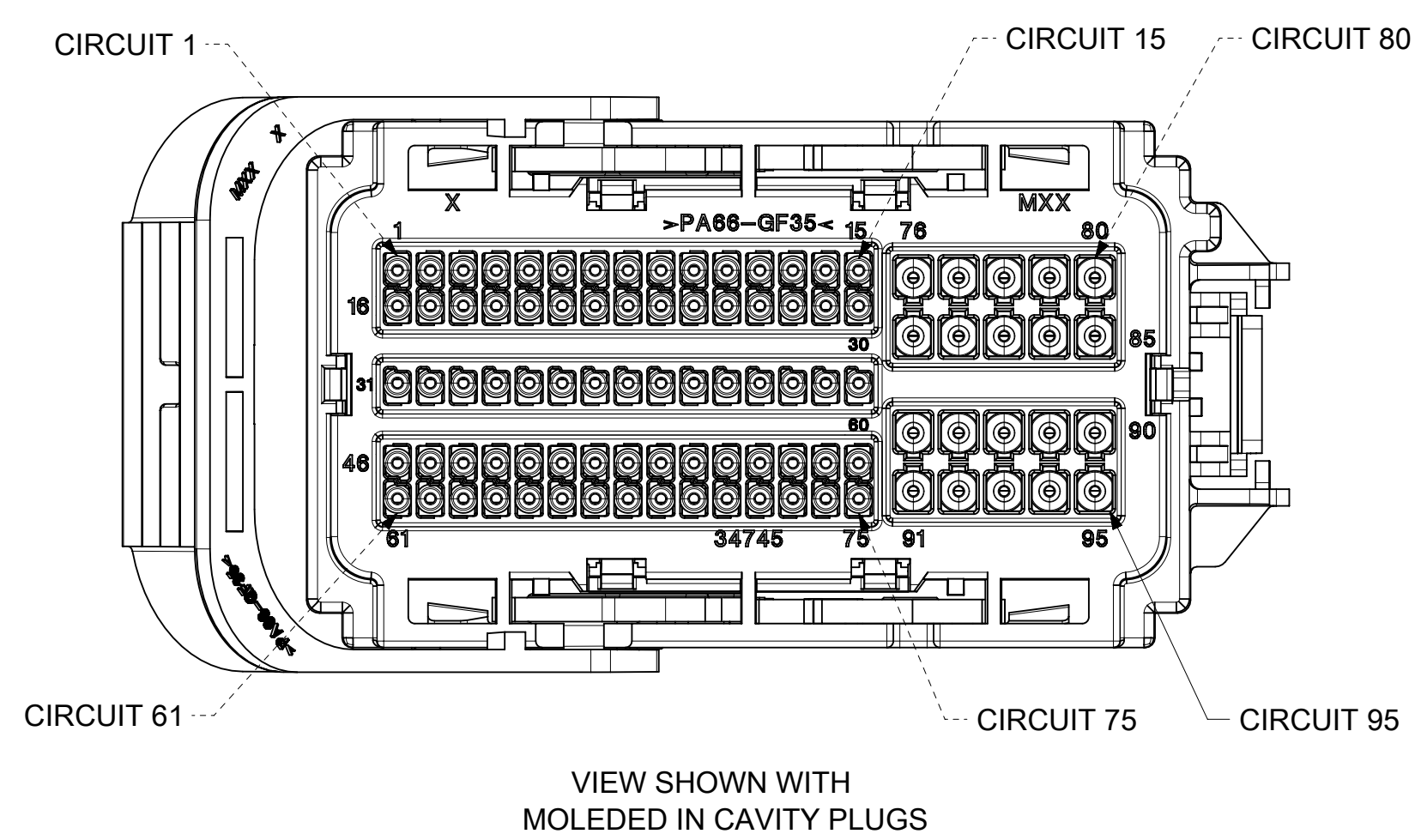
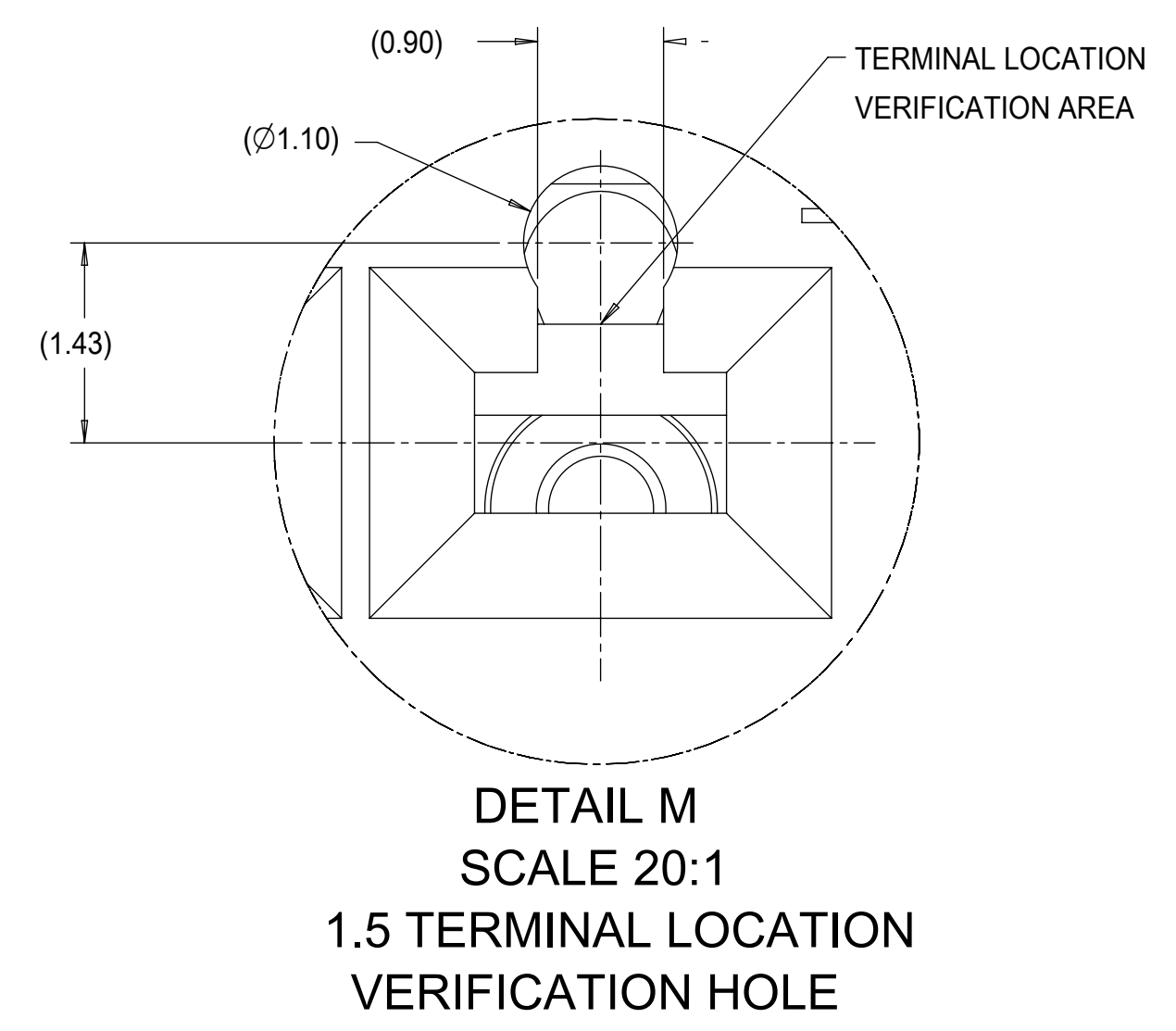
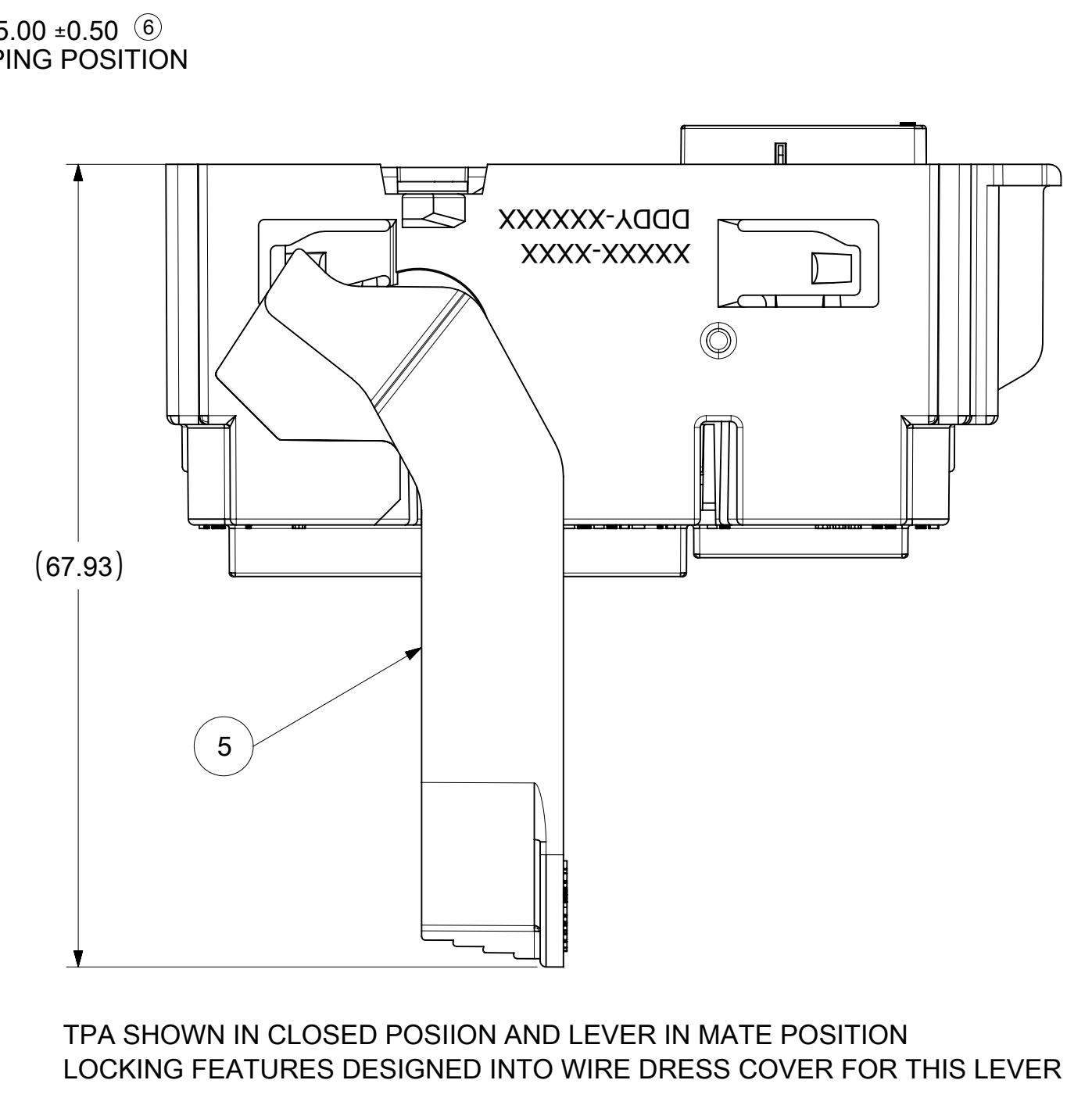
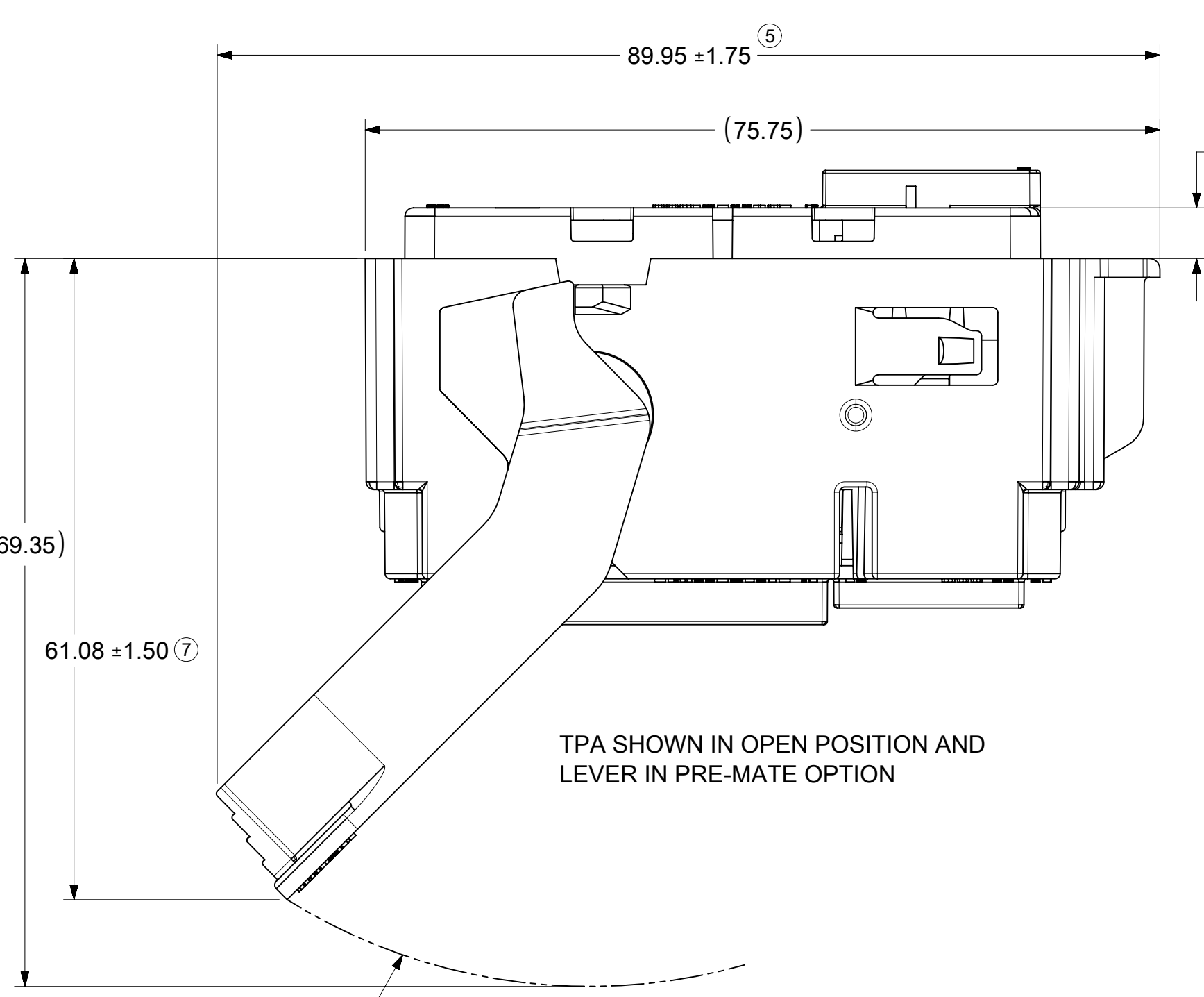


AROUND-THE-END LEVER OPTION  
P/N 34992-0001, KEY 1



BILL OF MATERIAL									
QTY.	ITEMS	SUPPLIER PART NUMBER	DESCRIPTION	COLOR	RECYCLING CODE	WEIGHT (EST)			
	1	347450501	OUTER SHROUD HOUSING KEYING OPTION "1"	BLACK	>PA66-GF35<	26.24g			
	1	347450502	OUTER SHROUD HOUSING KEYING OPTION "2"	BLACK	>PA66-GF35<	26.24g			
	1	347450503	OUTER SHROUD HOUSING KEYING OPTION "3"	BLACK	>PA66-GF35<	26.24g			
	1	347450504	OUTER SHROUD HOUSING KEYING OPTION "4"	BLACK	>PA66-GF35<	26.24g			
1	1	347450505	OUTER SHROUD HOUSING KEYING OPTION "5"	BLACK	>PA66-GF35<	26.24g			
1	1	347450300	CAVITY SECTION HOUSING	BLACK	>PA66-GF35<	19.88g			
1	1	349920401	TPA	NATURAL	>PA66-GF35<	7.77g			
1	1	347450801	MATE ASSIST LEVER END LATCH	GRAY	>PA66-GF35<	6.54g			
1	1	347450802	MATE ASSIST LEVER TOP LATCH	GRAY	>PA66-GF35<	6.10g			
1	1	347450600	GROMMET SEAL	GREEN	NA	5.94g			
1	1	347450700	INTERFACIAL SEAL	GREEN	NA	1.47g			
2	2	347450805	LEVER ARM	GRAY	>PA66-GF35<	0.55g			
349929001									
349928001									
349927001									
349926001									
349925001									
349924001									
349923001									
349922001									
349921001									
349920001									
			MOLEX ASSY PART NUMBER						
			ALL CAVITY PLUGS REMOVED						

- NOTES: UNLESS OTHERWISE SPECIFIED
- PART MUST CONFORM TO USCAR/SAE-2 REV 5 DATED NOV2007. EXCEPTIONS: NONE
  - THE OPERATING ENVIRONMENT CRITERIA FOR THIS CONNECTOR SYSTEM IS USCAR TEMPERATURE CLASS 3, SEALING CLASS S3 AND VIBRATION CLASS V1.
  - ASSEMBLIES WILL ONLY PASS THE HIGH PRESSURE SPRAY REQUIREMENT WITH A WIRE DRESS COVER ATTACHED
  - MAXIMUM LEVER ENGAGEMENT FORCE POPULATED WITH TERMINALS IS NOT TO EXCEED 75N.
  - TERMINAL TPA/PLR IS SHIPPED TO HARNESS MANUFACTURER IN PRE-LOAD POSITION AS SHOWN.
  - ALL PLASTIC PARTS MUST HAVE MATERIAL IDENTIFICATION SYMBOLS CLEARLY MARKED, WHEREVER PACKAGE SIZE PERMITS.
  - ENGINEERING APPROVAL REQUIRED FOR ALL SOURCING AND TOOLING OF THIS PART.
  - FOR ENGINEERING APPROVED SOURCE SEE ENGINEERING RELEASE.
  - ENGINEERING APPROVAL OF SAMPLE FROM SUPPLIER IS REQUIRED PRIOR TO AUTHORIZATION OF PART PRODUCTION.
  - CHANGES IN DESIGN COMPOSITION OR PROCESSING OF THE PART PREVIOUSLY APPROVED FOR PART PRODUCTION REQUIRES PRIOR ENGINEERING APPROVAL.
  - GENERAL TOLERANCE:  
LINEAR DIMENSION: ±0.10  
ANGULAR DIMENSION: ±3°
  - 0.3 MAXIMUM RADIUS PERMISSIBLE ON EDGES AND FILLETS SHOWN AS SHARP FOR PLASTIC PARTS.
  - PARTS ARE TO BE FREE OF SCRATCHES, DISCOLORATION, SALT RESIDUE, OR OTHER IMPERFECTIONS THAT MAY AFFECT FUNCTION OR FIT OF PART.
  - 25% MAXIMUM REGRIND ALLOWABLE.
  - SEE MOLEX APPLICATION SPEC AS-34992-001 FOR CONNECTOR SERVICE & USAGE INSTRUCTIONS.
  - OPTIONAL WIREDRESS COVERS FOR THE AROUND-THE-END LEVER OPTION: ARE SHIPPED SEPARATELY.
  - WIREDRESS COVER FOR THE OVER-THE-TOP LEVER OPTION IS SHIPPED SEPARATELY.
  - OPTIONAL 0.64 LOOSE PIECE PLUG, 34676-0002 IS SHIPPED SEPARATELY.
  - OPTIONAL 1.5 LOOSE PIECE PLUG, 34345-4001, IS SHIPPED SEPARATELY.
  - MOLEX MX150 TERMINAL REMOVAL TOOL P/N 63813-1500.
  - MOLEX 0.64 TERMINAL REMOVAL TOOL P/N 63813-3501.
  - TPA/PLR MUST BE REMOVED TO SERVICE THE 0.64 TERMINALS.
  - TPA SEATING TOOL P/N 346760200 / 346760201 SEE SHEET 2 FOR ADDITIONAL INFORMATION
  - FOR PINOUT AND DRESS COVER CONFIGURATION CHART SEE DOCUMENT: 349920002-SD



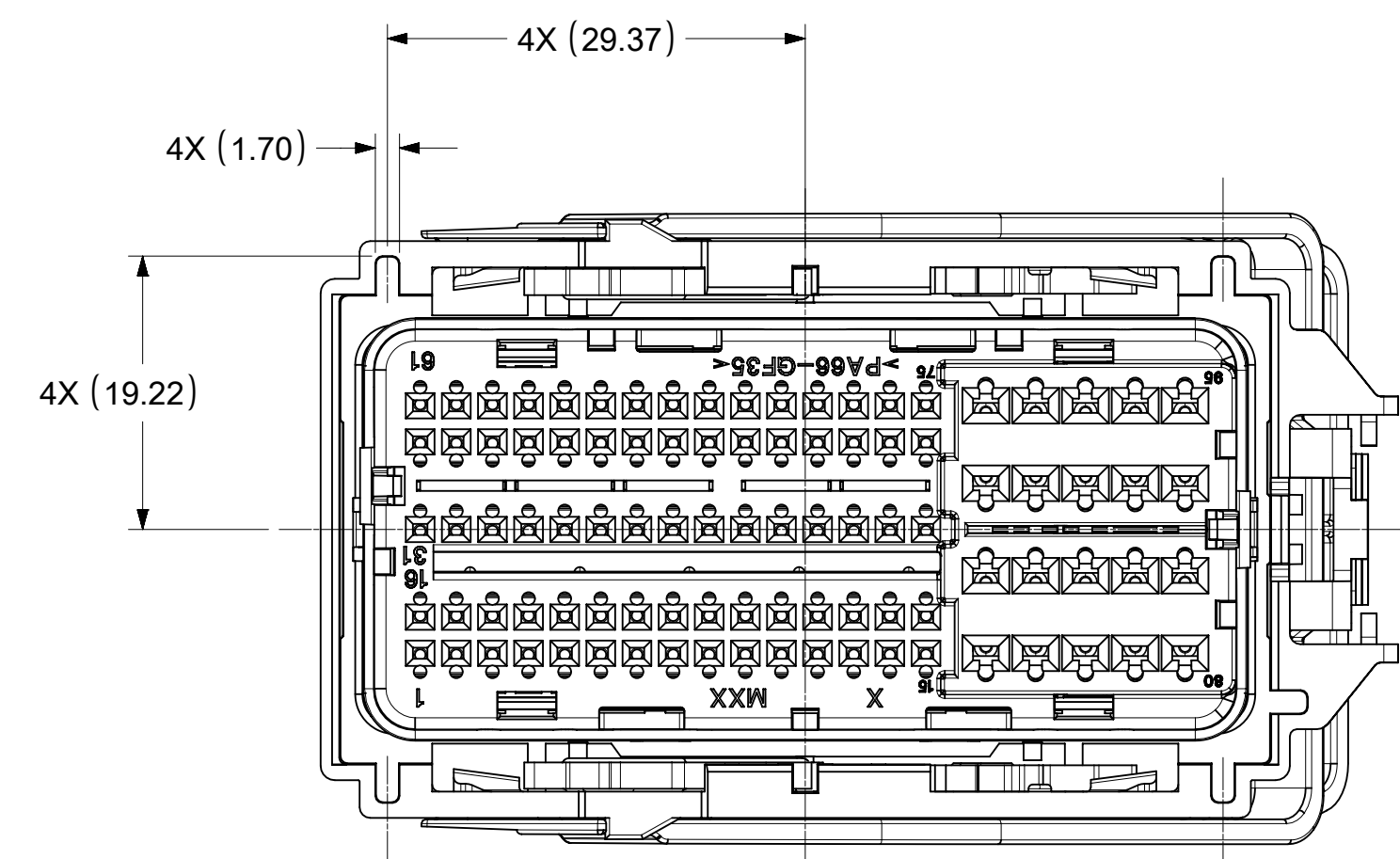
OVER-THE-TOP LEVER OPTION  
P/N 34992-1001, KEY 1

SYMBOLS		THIS DRAWING CONTAINS INFORMATION THAT IS PROPRIETARY TO MOLEX ELECTRONIC TECHNOLOGIES, LLC AND SHOULD NOT BE USED WITHOUT WRITTEN PERMISSION	
▽ = 0	0	DIMENSION UNITS	SCALE
▽ = 0	0	mm	2:1
▽ = 0	0	GENERAL TOLERANCES (UNLESS SPECIFIED)	
▽ = 0	0	ANGULAR TOL ±	
▽ = 0	0	4 PLACES ±	
▽ = 0	0	3 PLACES ±	
▽ = 0	0	2 PLACES ±	
▽ = 0	0	1 PLACE ±	
▽ = 0	0	0 PLACES ±	
■ = 0	0	DRAFT WHERE APPLICABLE MUST REMAIN WITHIN DIMENSIONS	
▽ = 0	0		

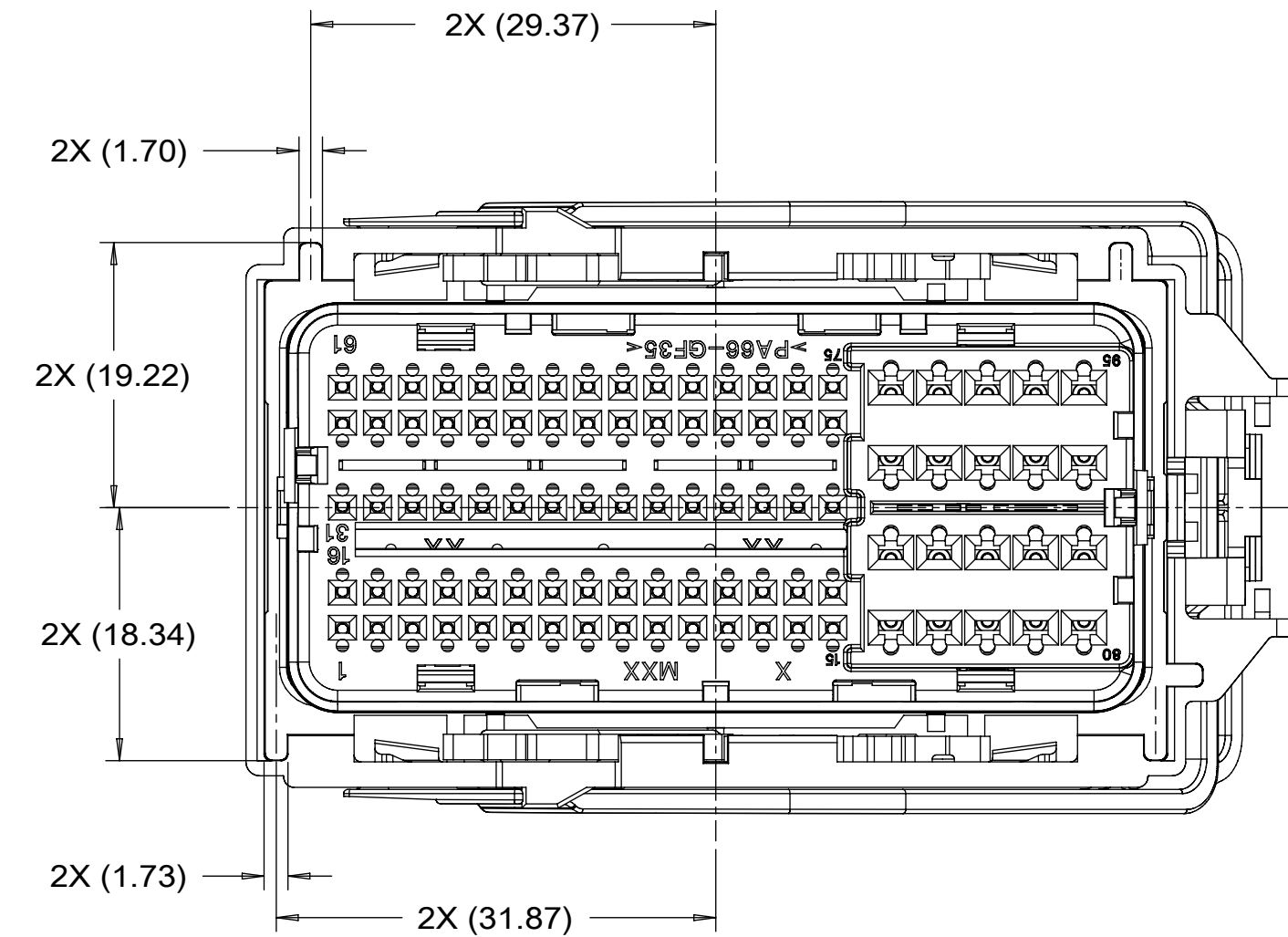
CURRENT REV DESC: NOTE AND TABLE UPDATED	
EC NO: 677806	
DRWN: NBOHIDAR	2021/09/15
CHK'D: BDICK01	2021/09/28
APPR: BDICK01	2021/09/28
INITIAL REVISION:	
DRWN: NBOHIDAR	2018/09/01
APPR: APROFFITT	2018/09/07

<p>GPEC IV CONNECTOR ASSEMBLY 95 CIRCUIT</p>			
DOCUMENT NUMBER	DOC TYPE	DOC PART	REVISION
349920001-SD	PSD	000	A8
MATERIAL NUMBER	CUSTOMER	SHEET NUMBER	
CHARTED	GENERAL MARKET	1 OF 3	

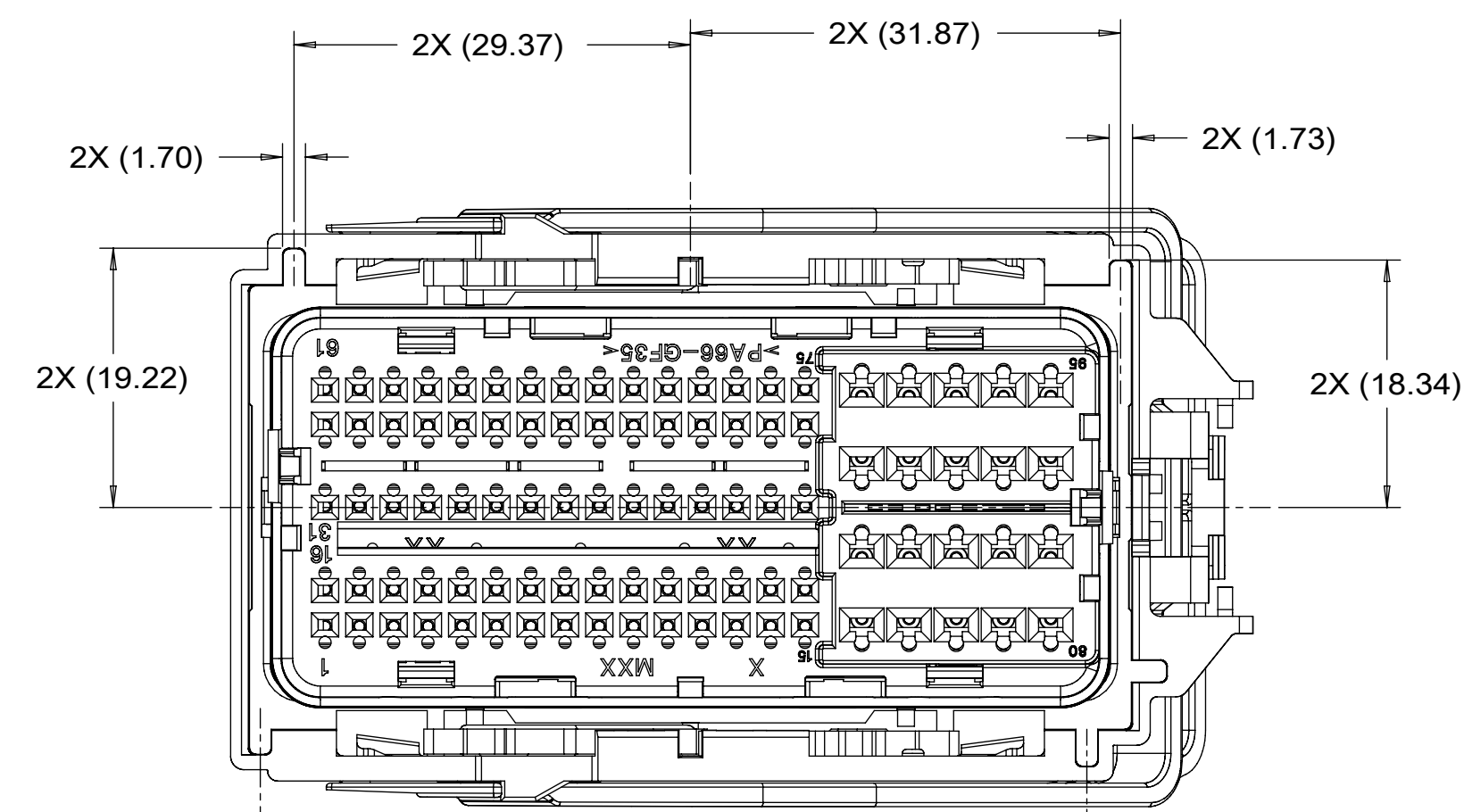
# KEYWAY DEFINITION



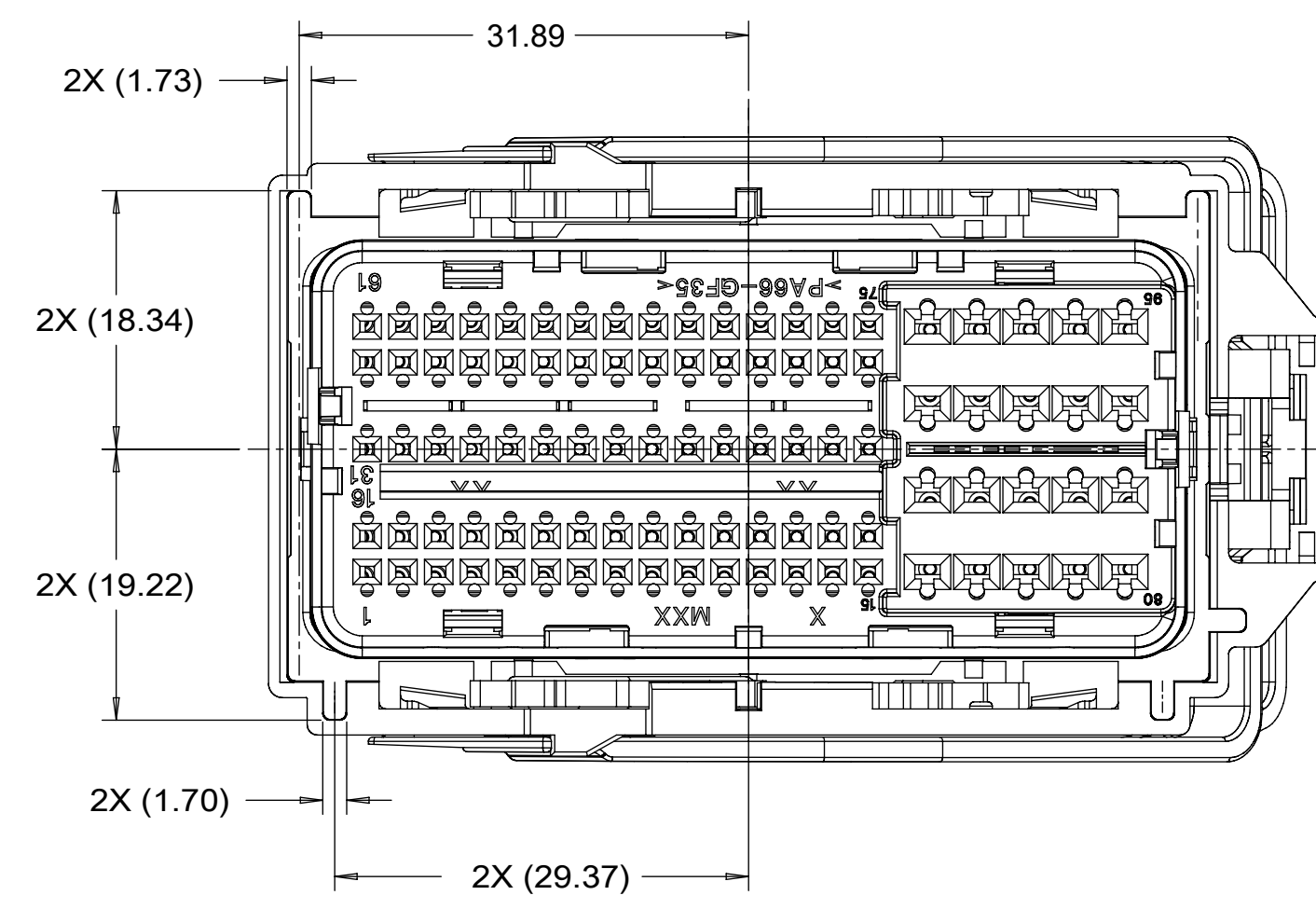
34992-0XXX (END LATCH LEVER)  
34992-1XXX (TOP LATCH LEVER)  
KEY OPTION 1



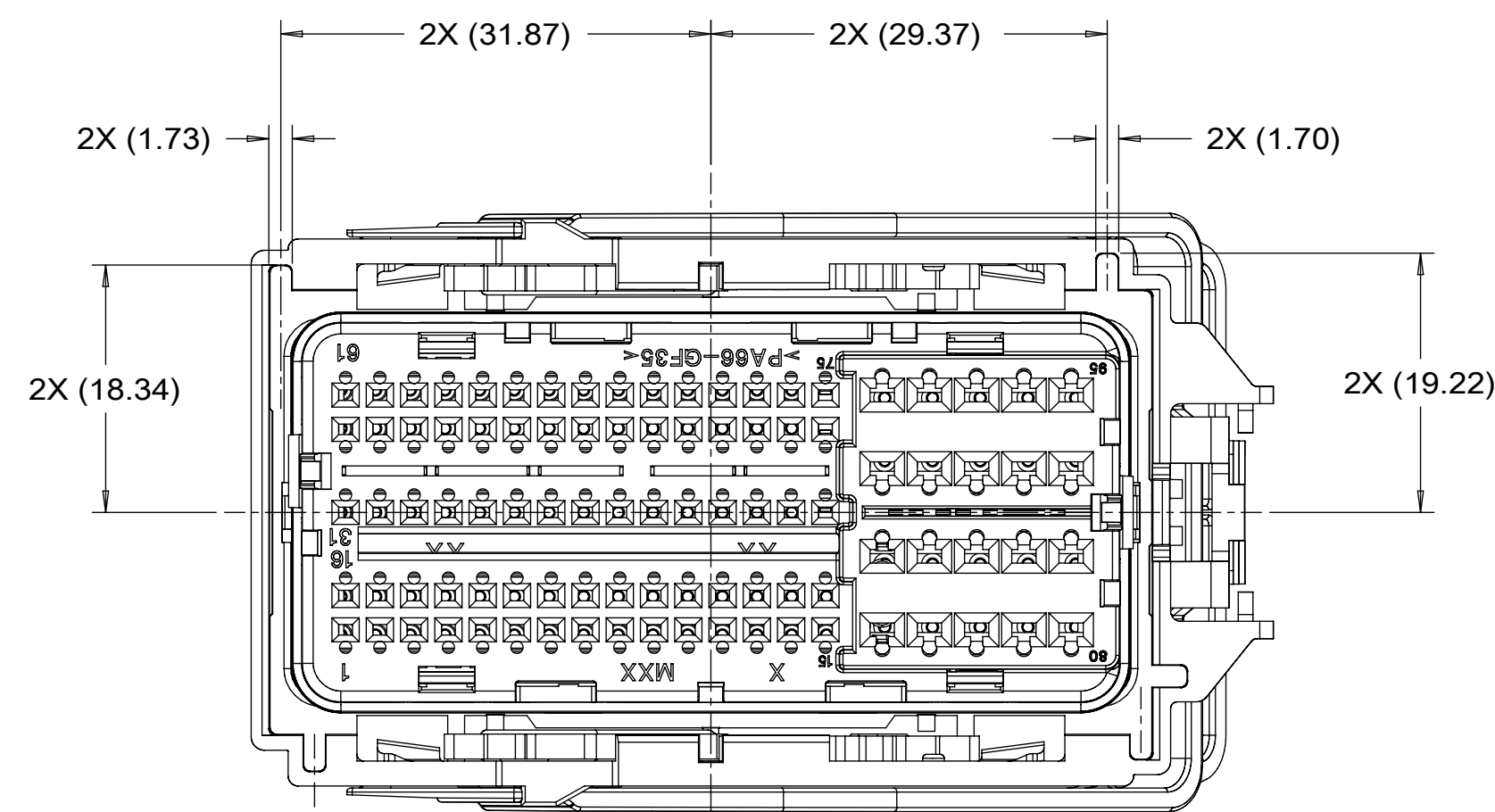
34992-6XXX (END LATCH LEVER)  
34992-7XXX (TOP LATCH LEVER)  
KEY OPTION 4



34992-2XXX (END LATCH LEVER)  
34992-3XXX (TOP LATCH LEVER)  
KEY OPTION 2

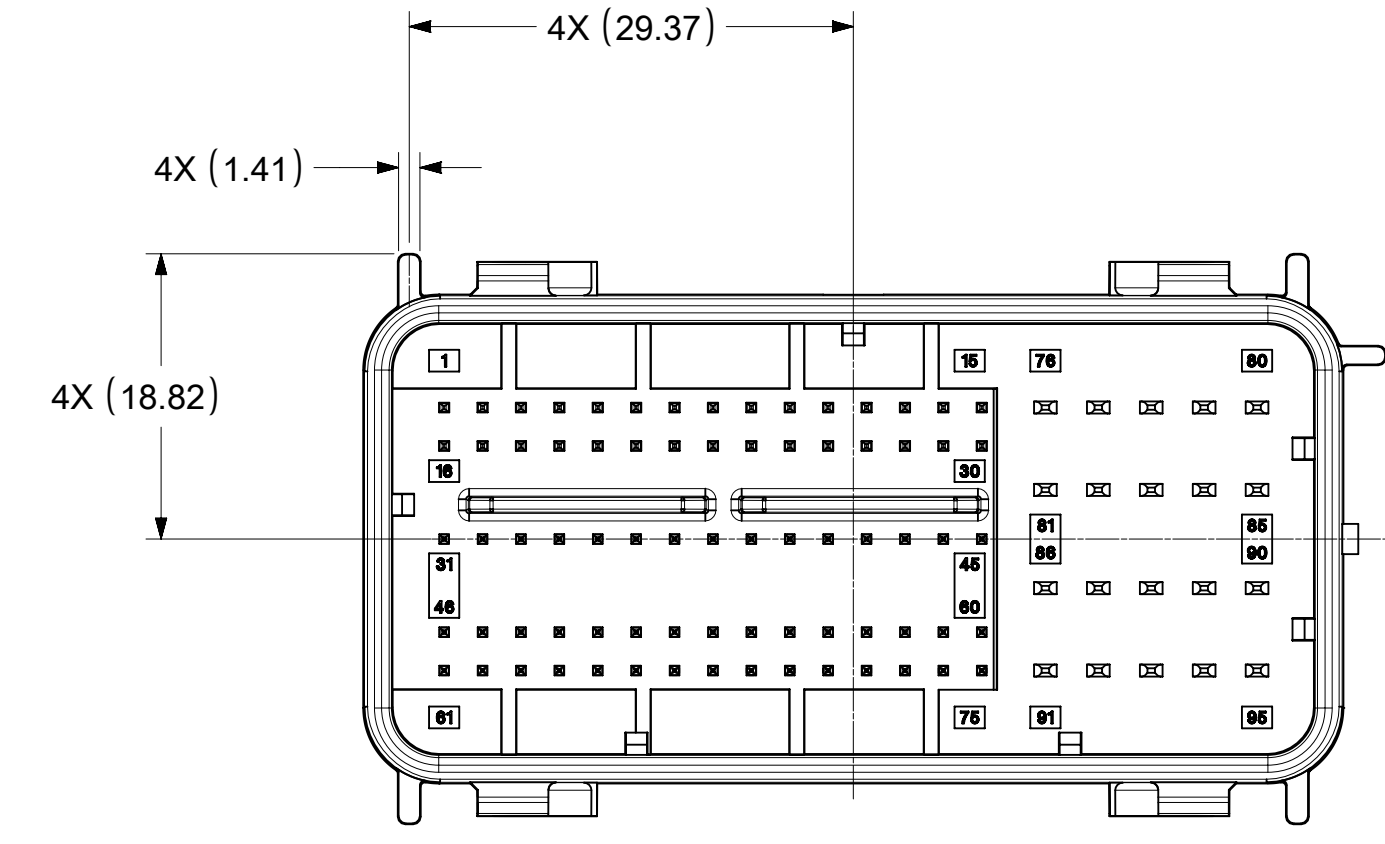


34992-8XXX (END LATCH LEVER)  
34992-9XXX (TOP LATCH LEVER)  
KEY OPTION 5

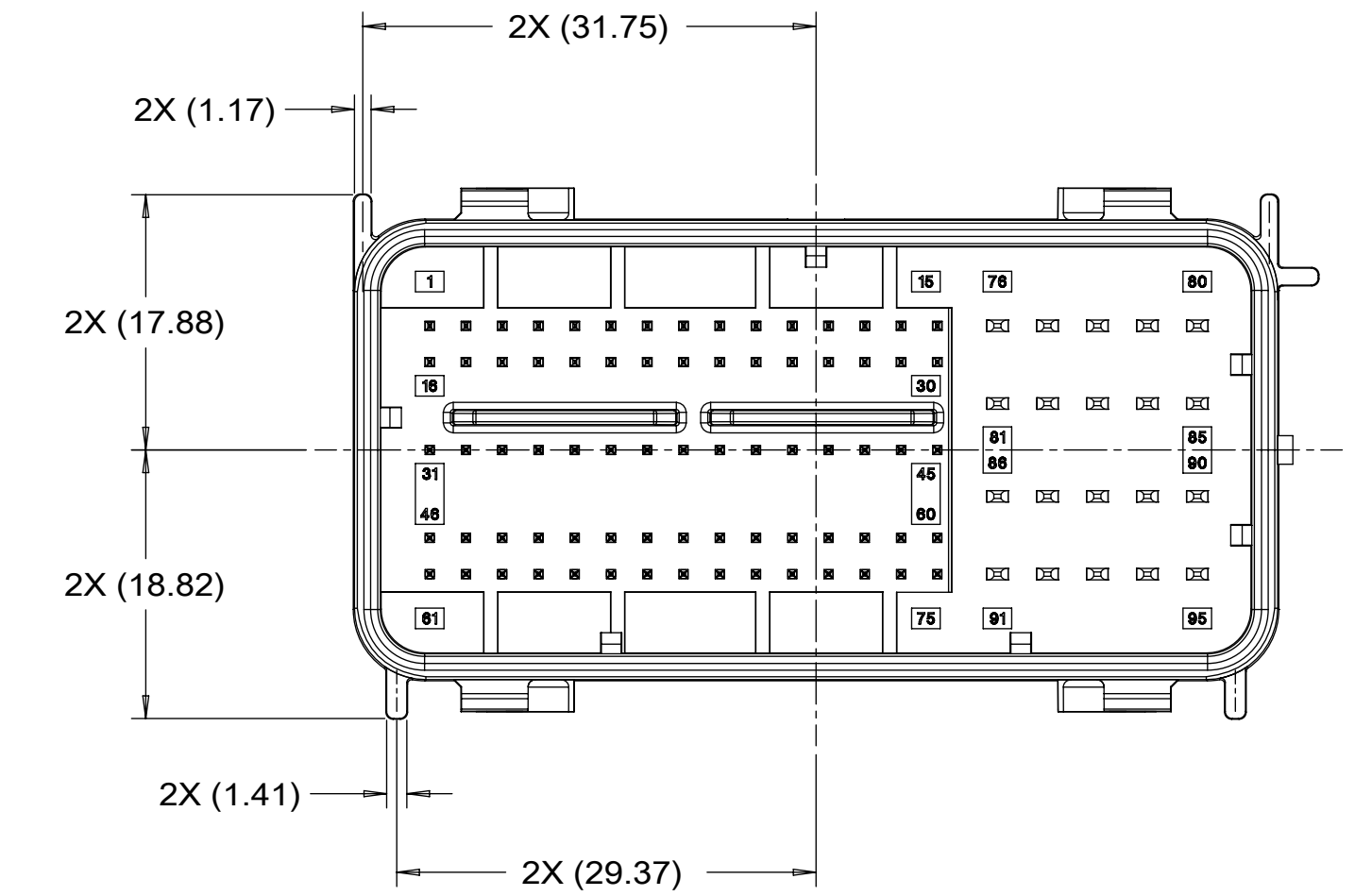


34992-4XXX (END LATCH LEVER)  
34992-5XXX (TOP LATCH LEVER)  
KEY OPTION 3

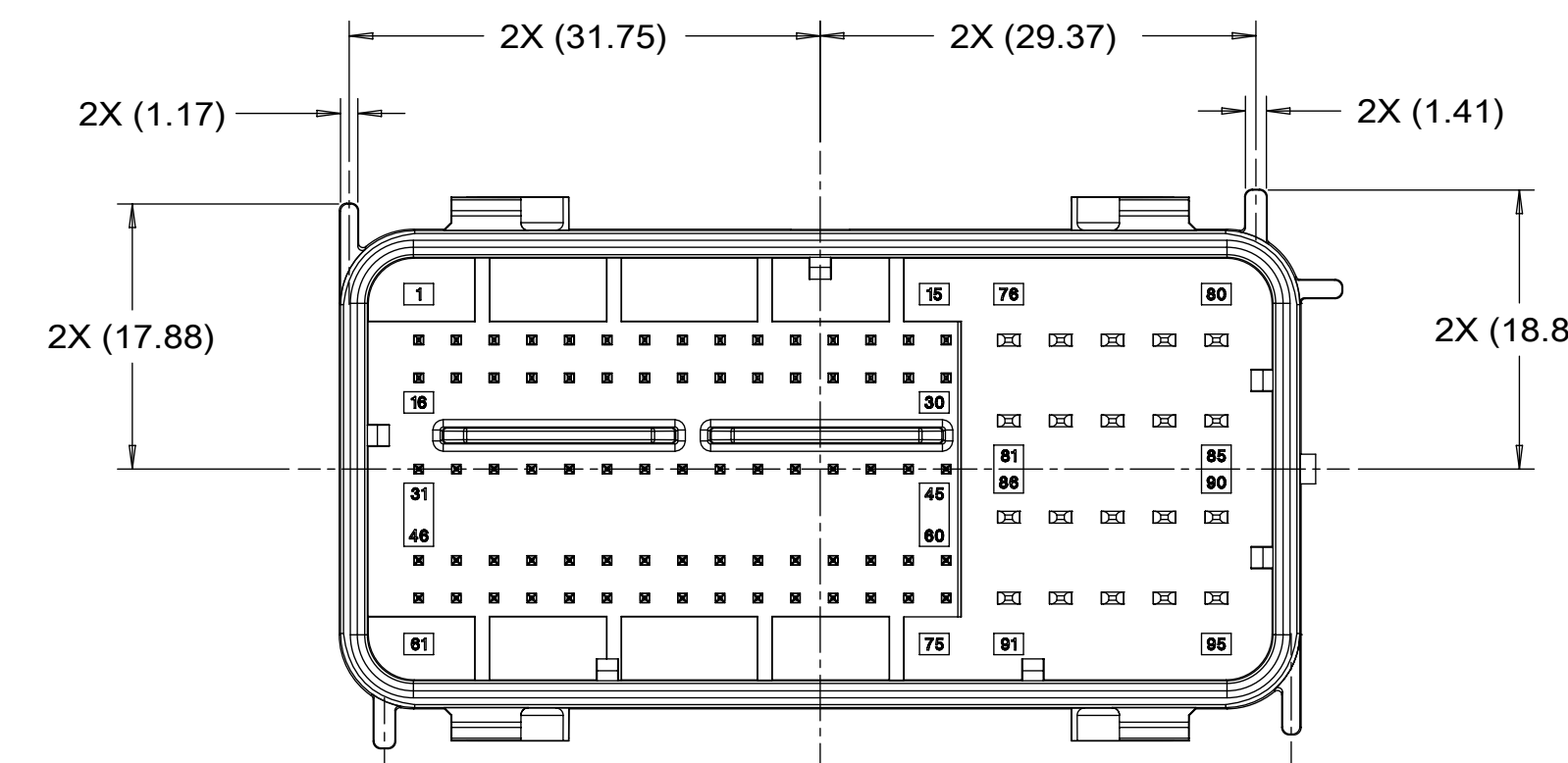
# RECOMMENDED MATING INTERFACE



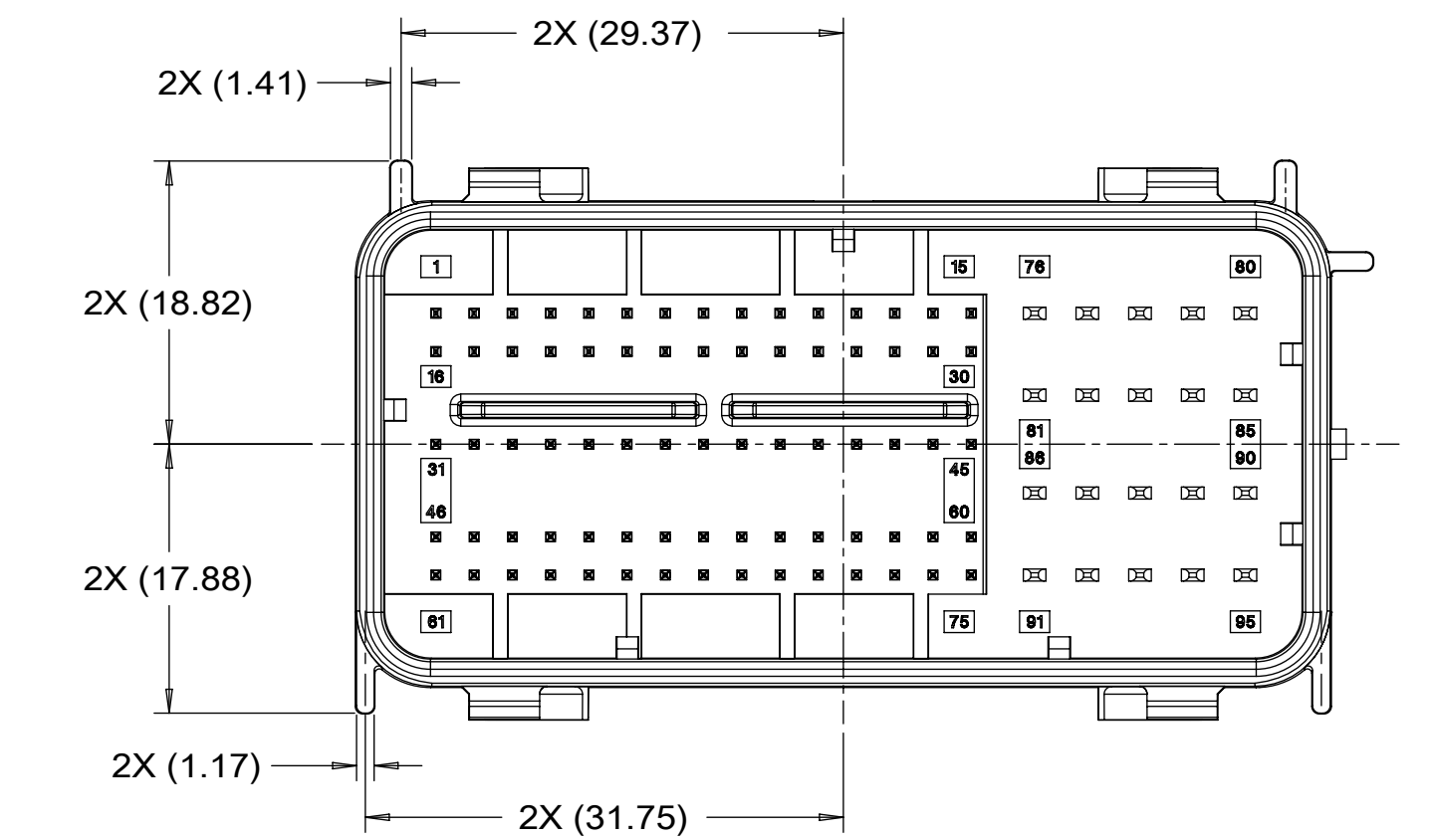
KEY OPTION 1



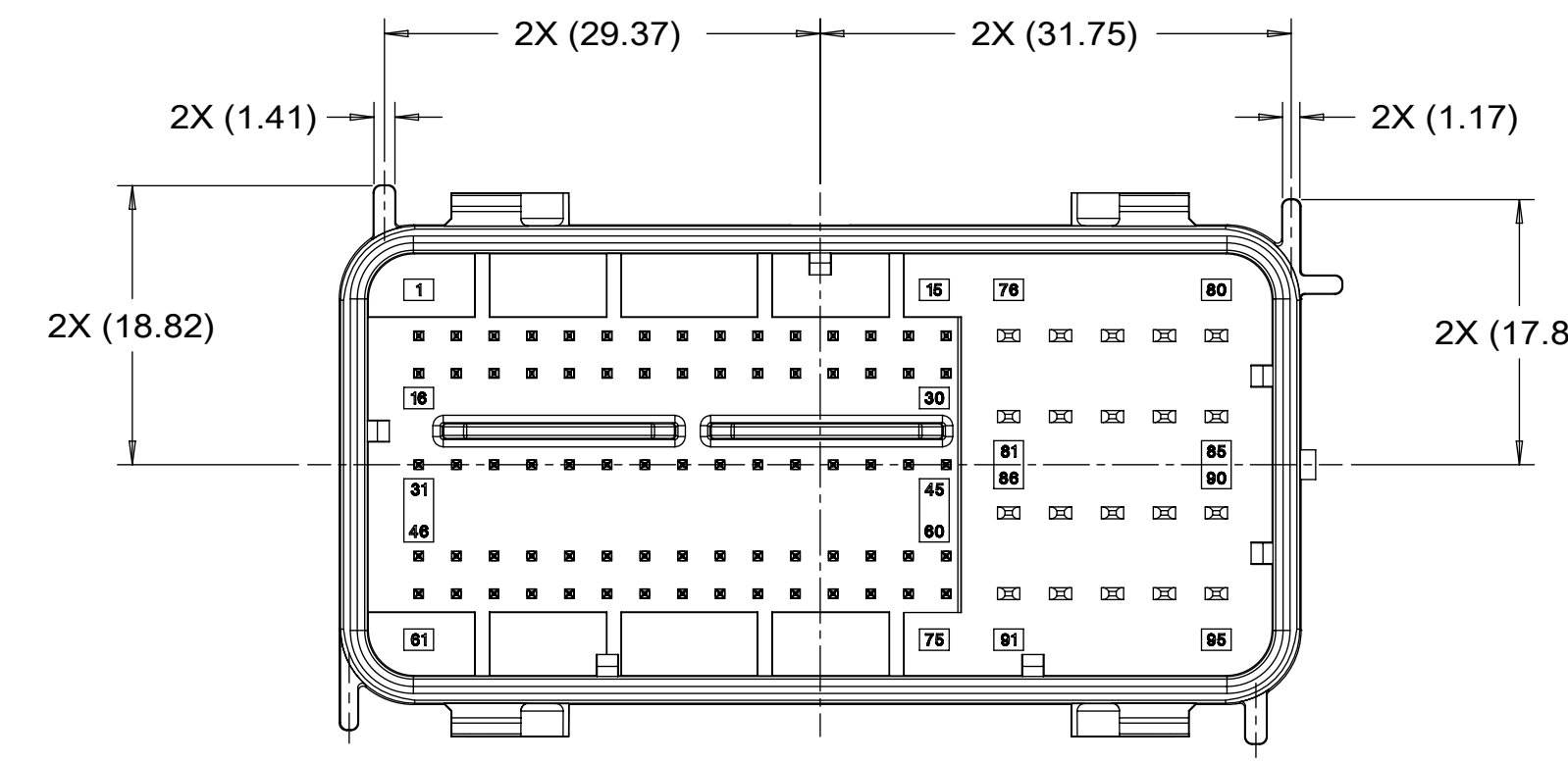
KEY OPTION 4



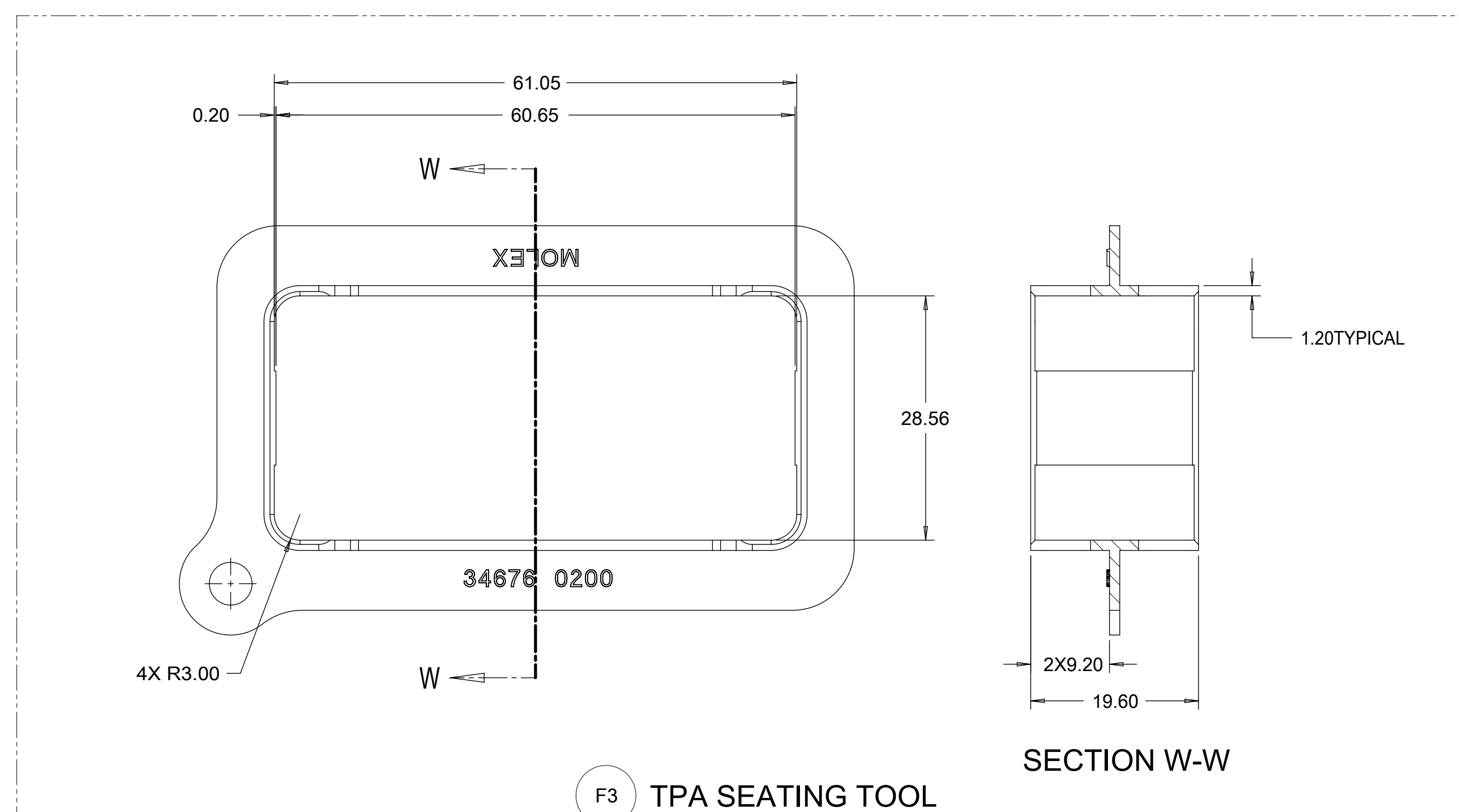
KEY OPTION 2



KEY OPTION 5

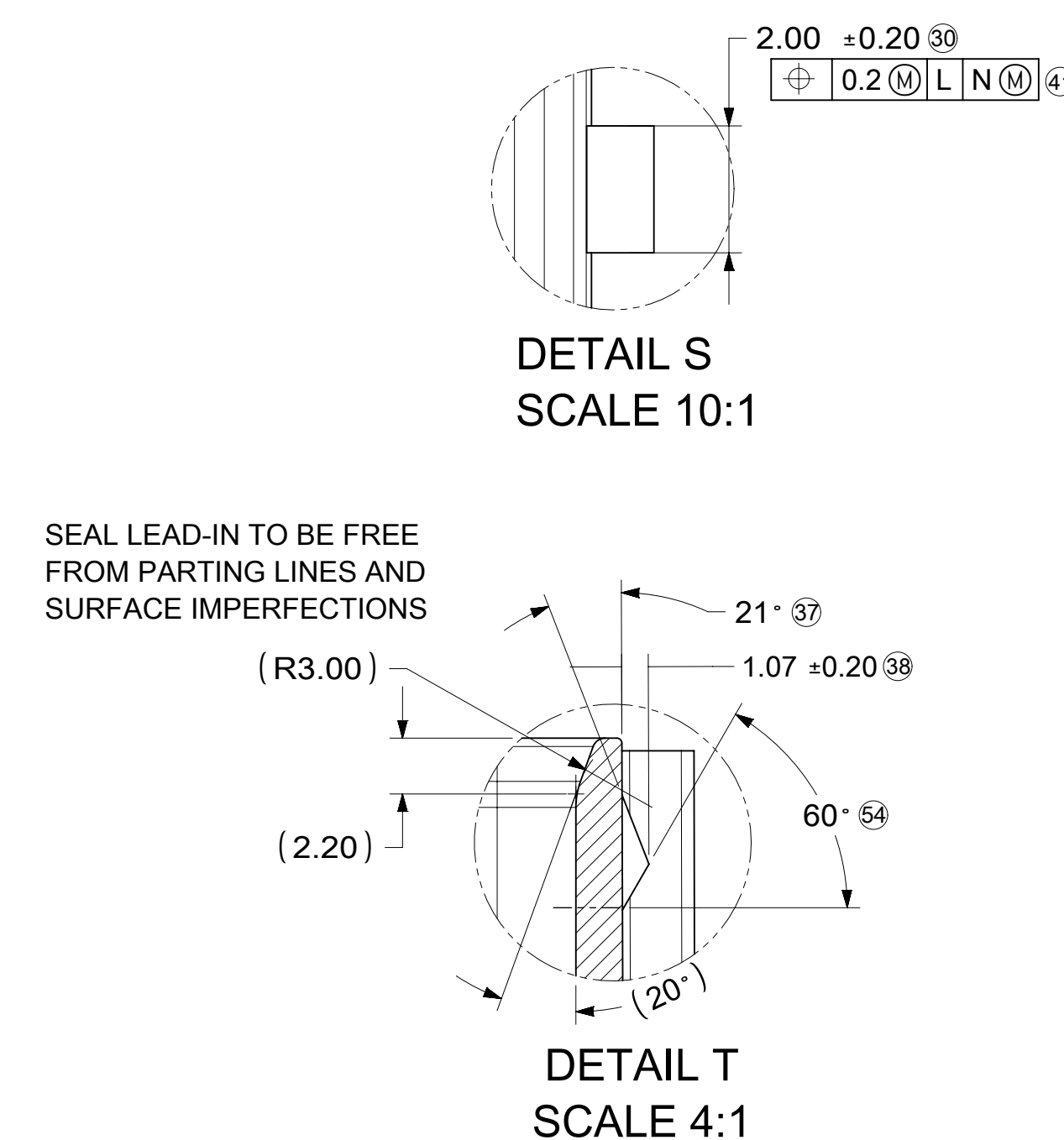
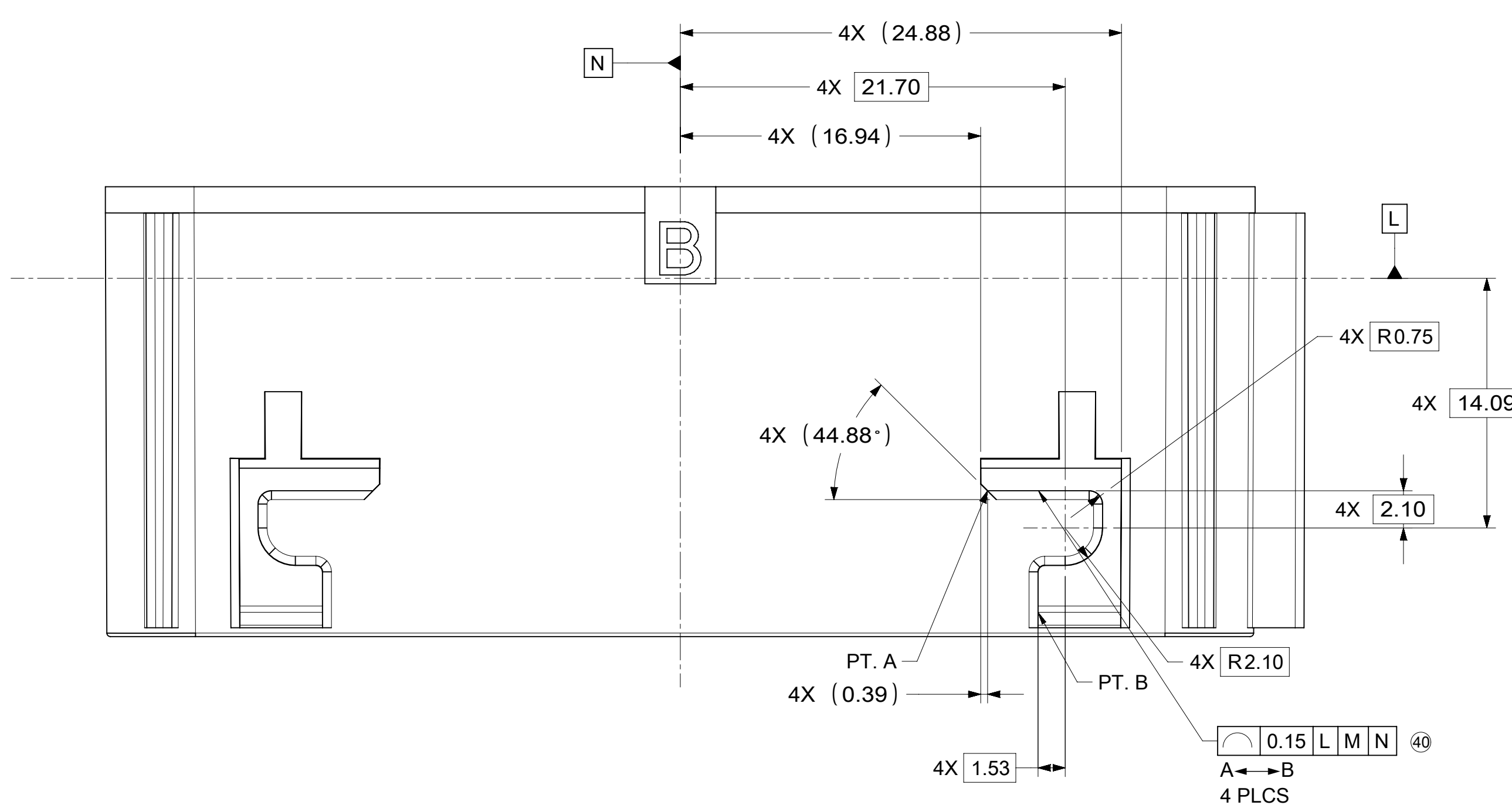
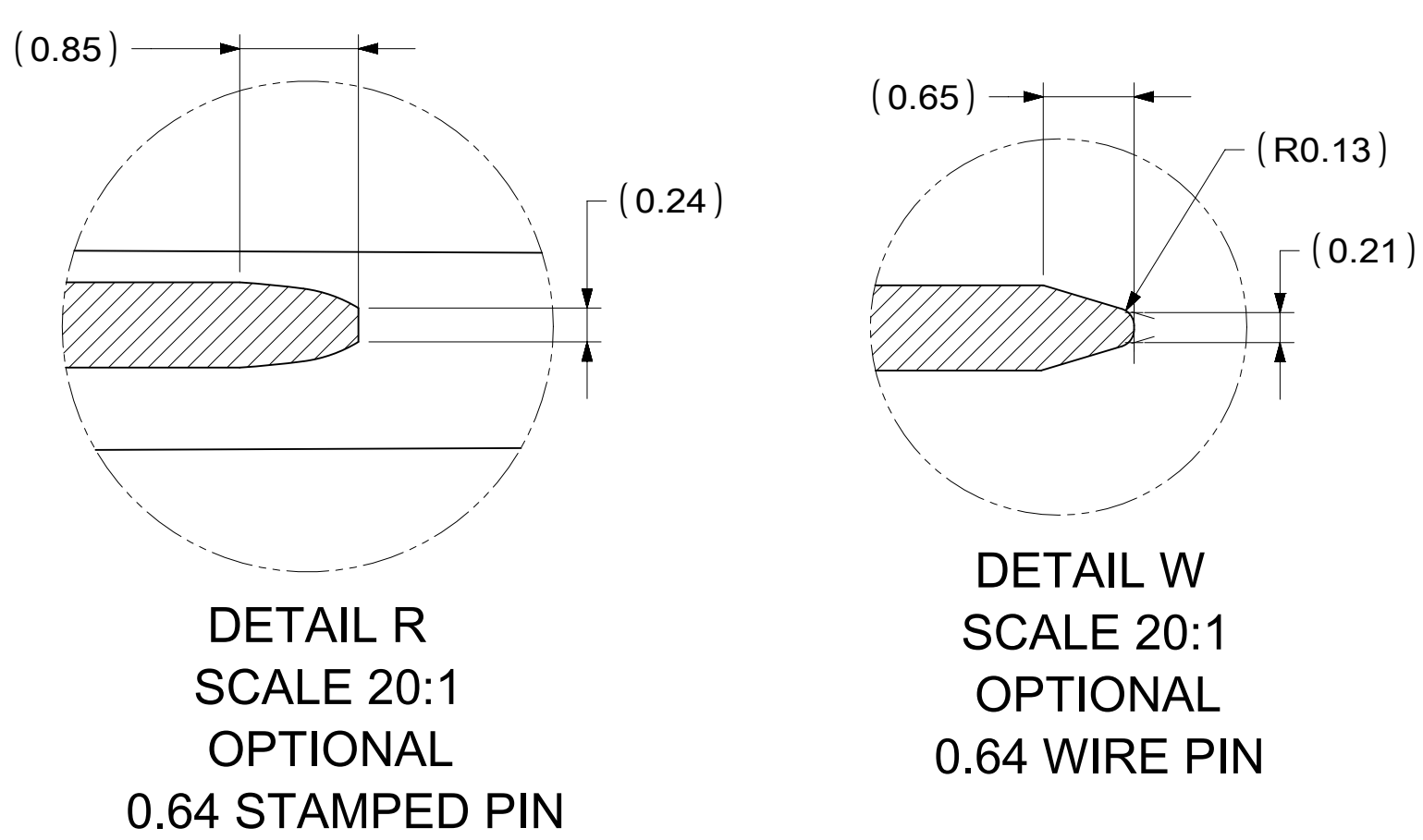


KEY OPTION 3

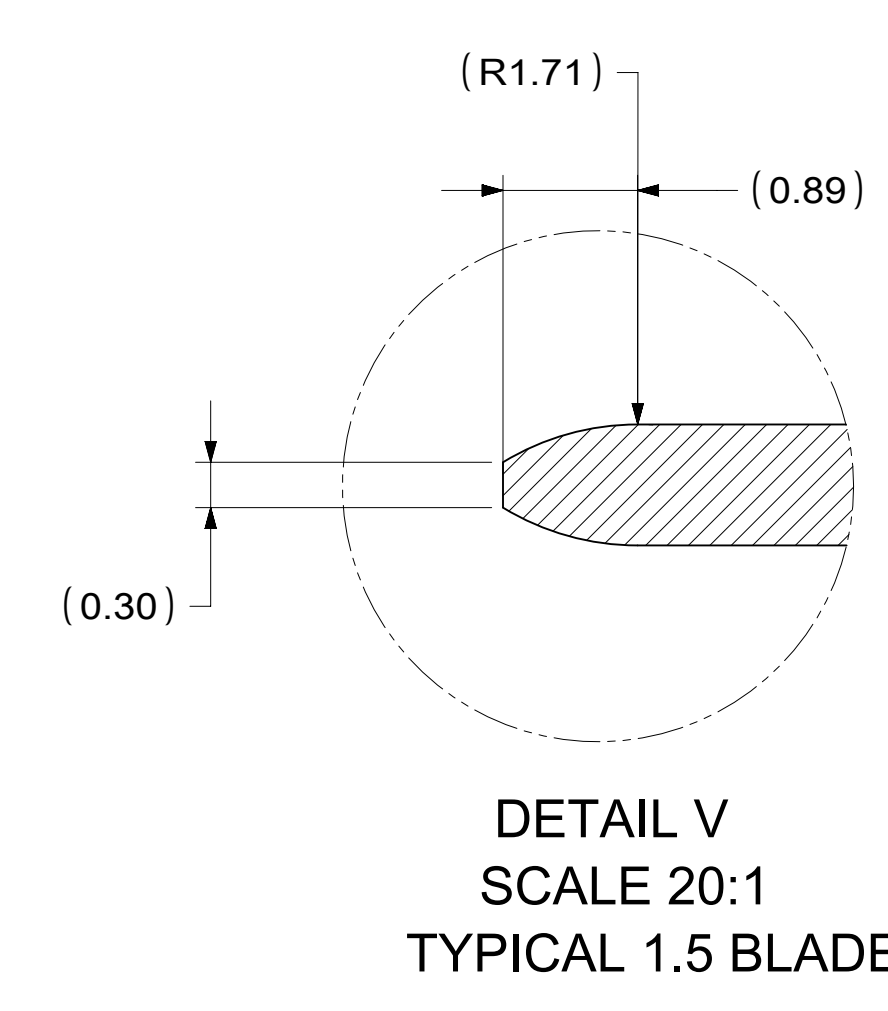
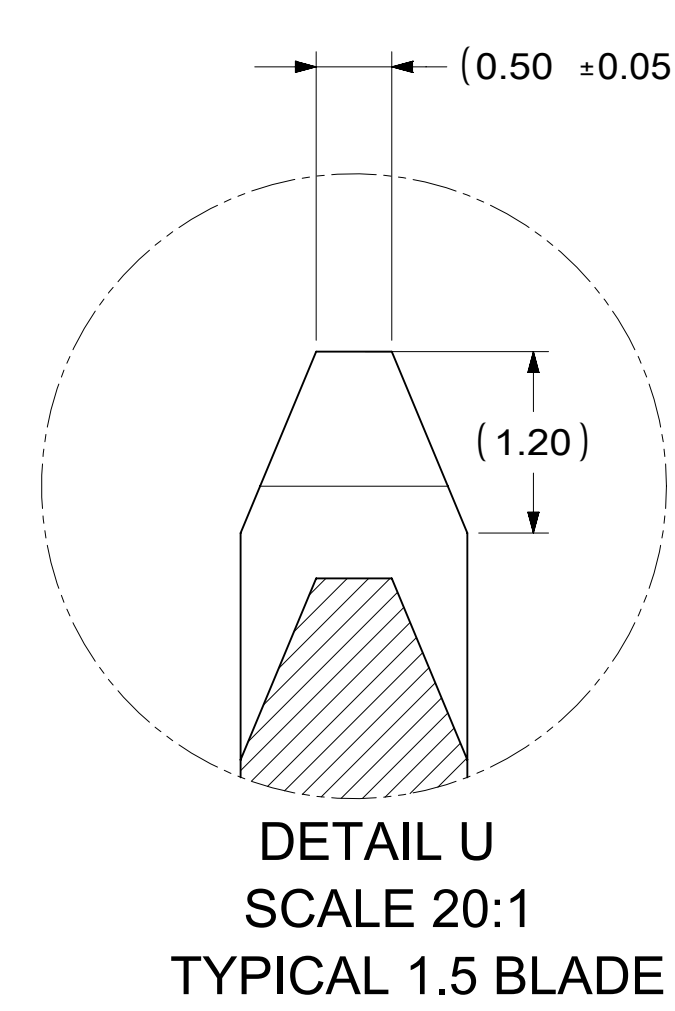
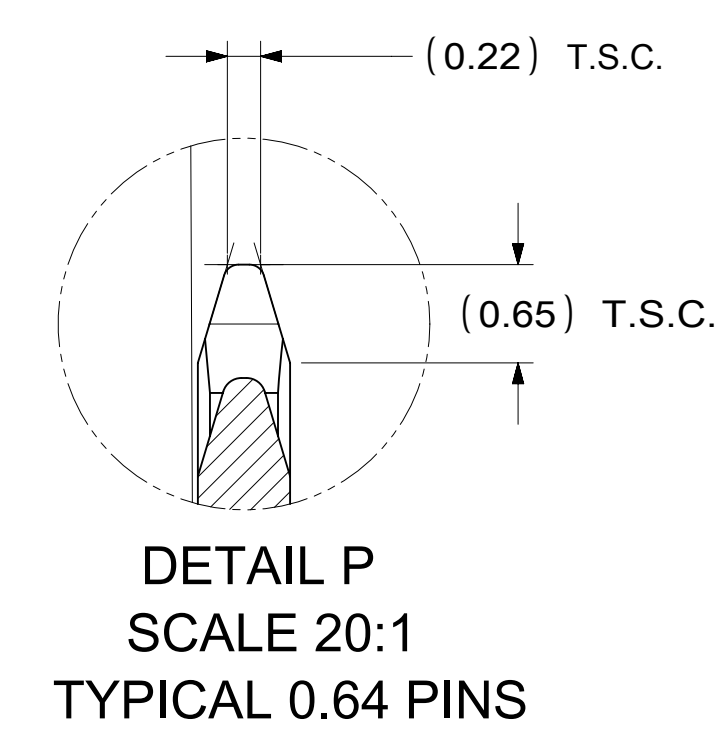
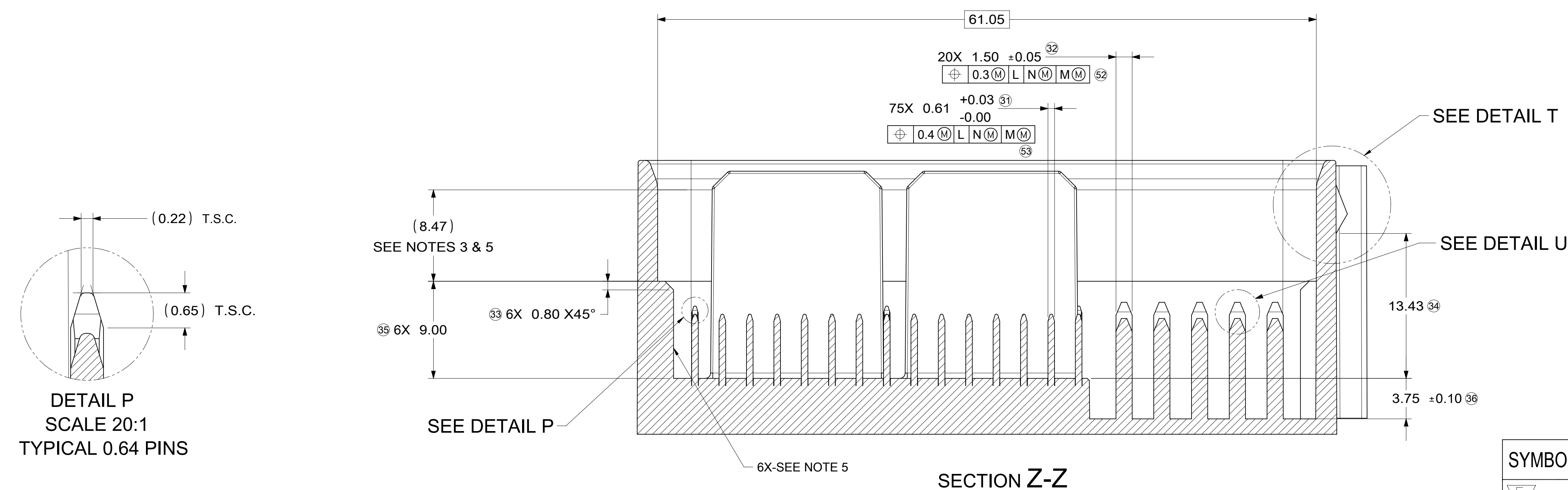
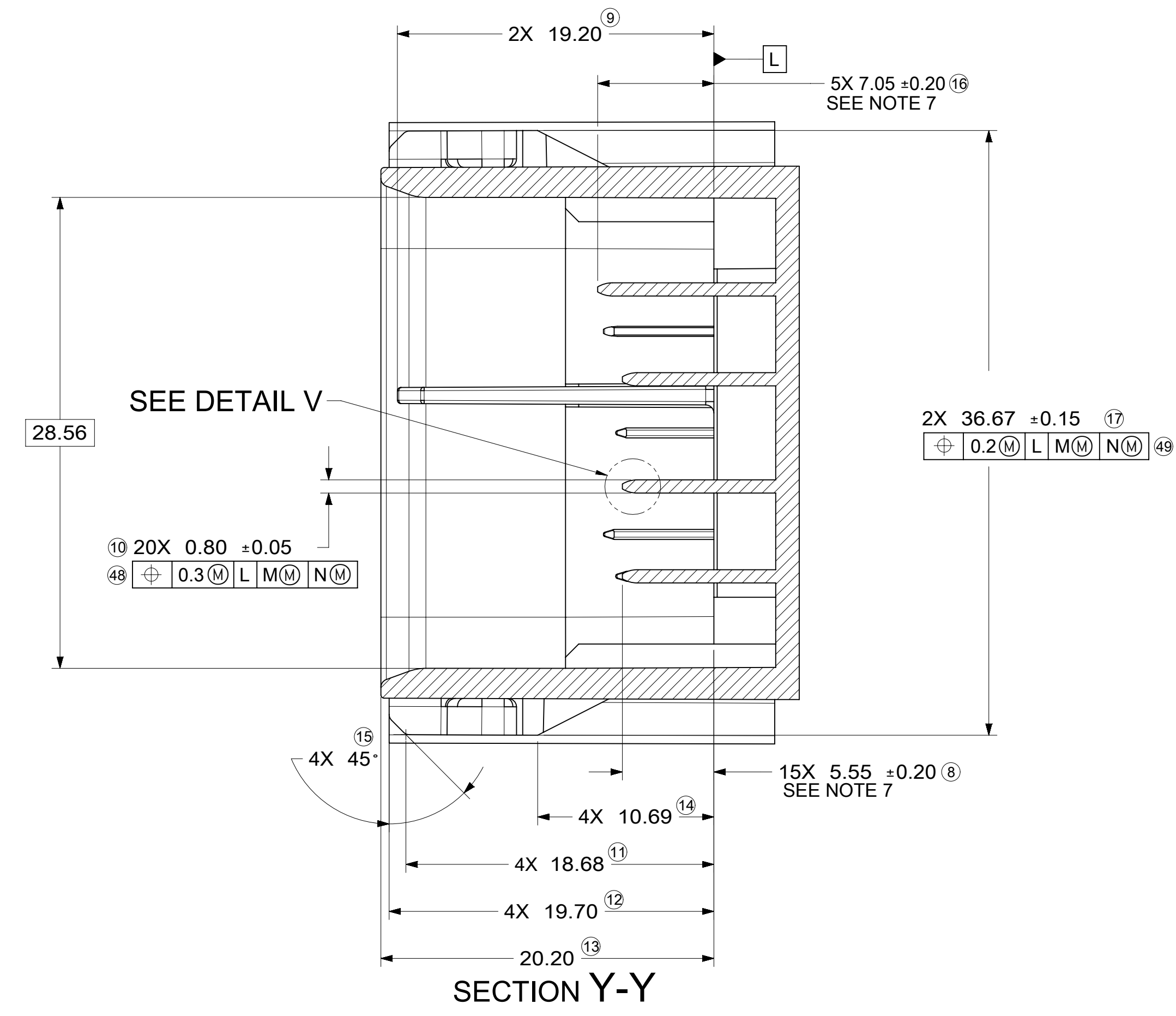
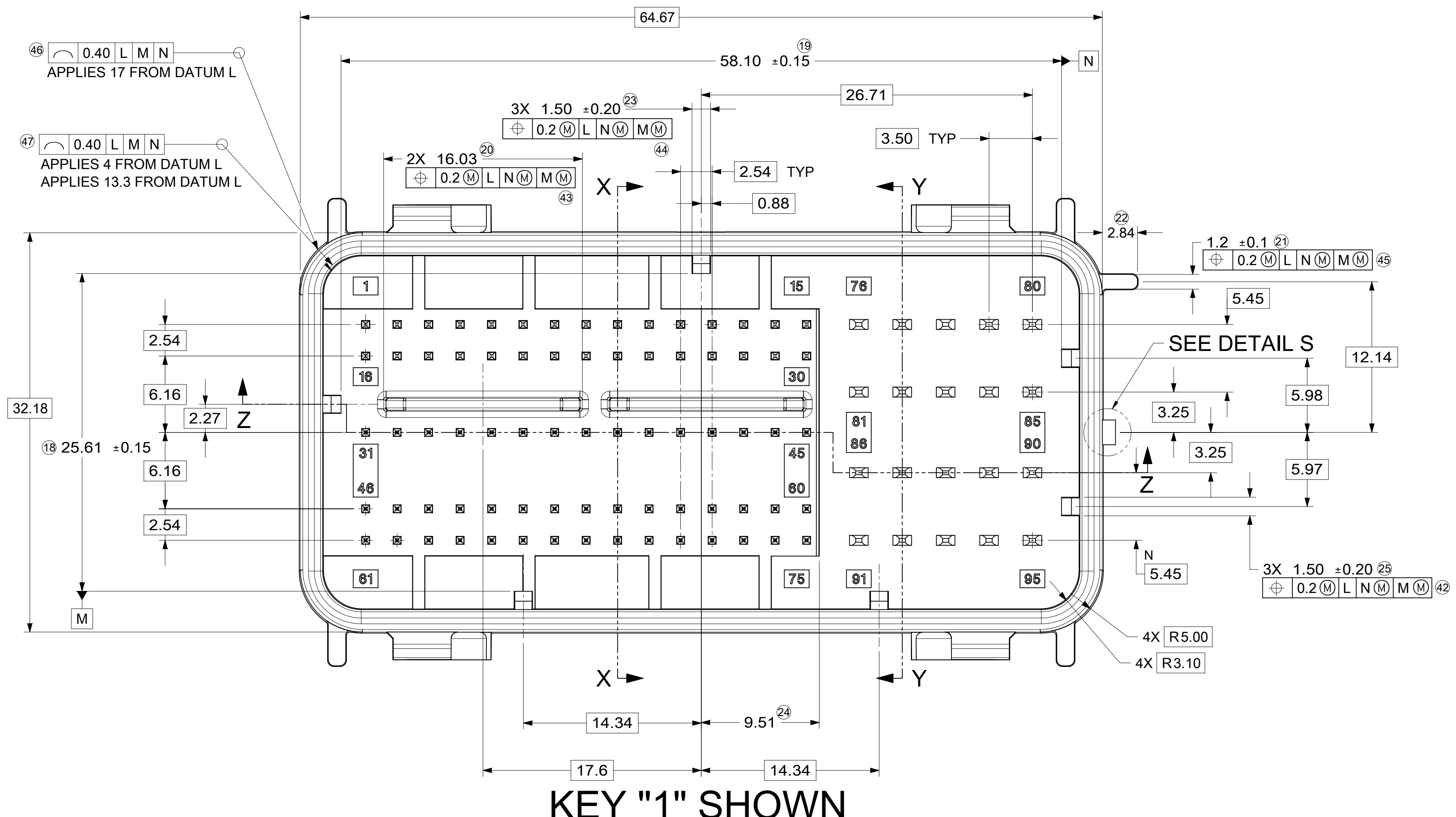
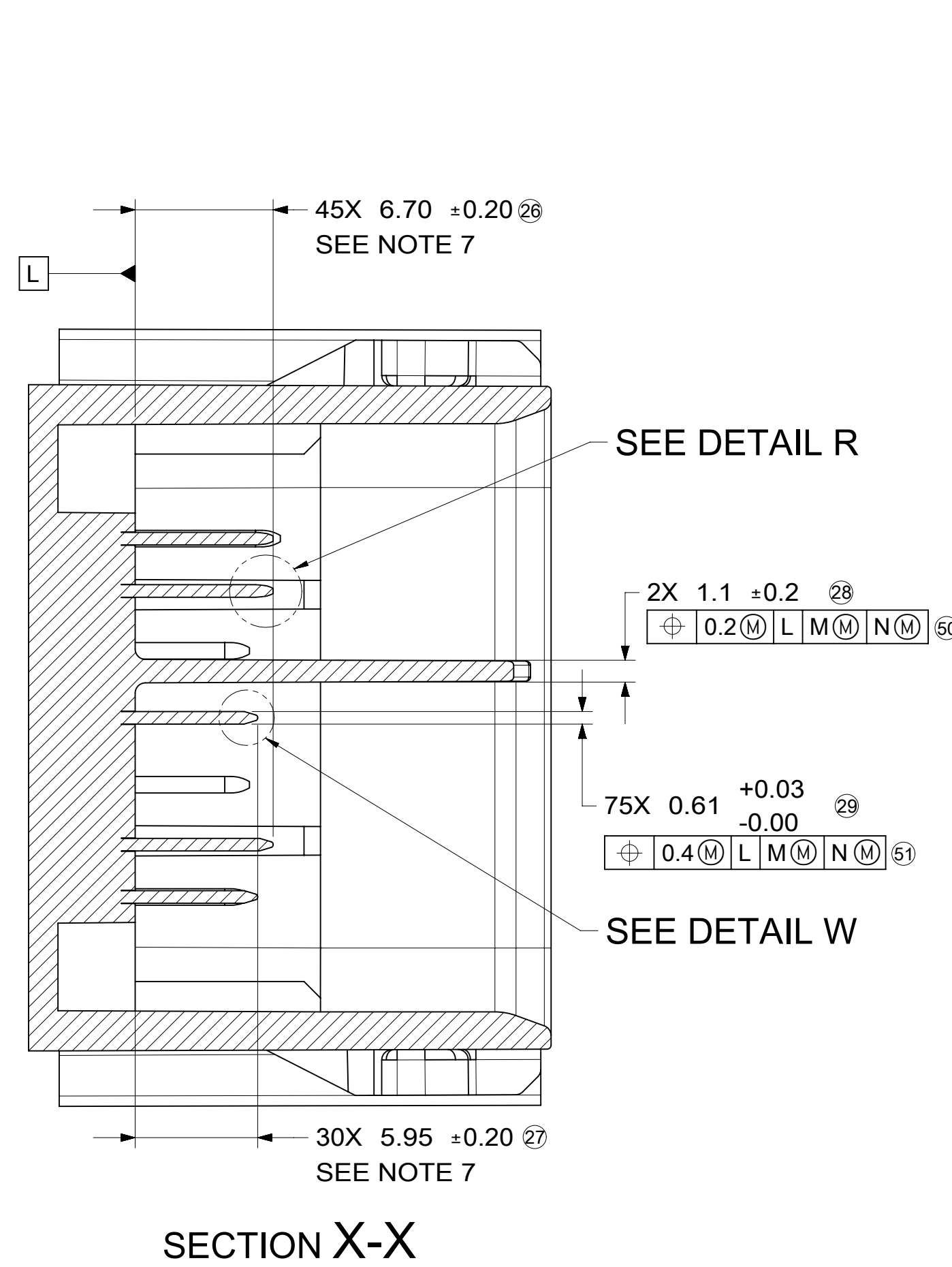


SYMBOLS	THIS DRAWING CONTAINS INFORMATION THAT IS PROPRIETARY TO MOLEX ELECTRONIC TECHNOLOGIES, LLC AND SHOULD NOT BE USED WITHOUT WRITTEN PERMISSION					
	DIMENSION UNITS	SCALE				
▽ = 0	mm	2:1	EC NO: 677806			GPEC IV CONNECTOR ASSEMBLY 95 CIRCUIT
▽ = 0	GENERAL TOLERANCES (UNLESS SPECIFIED)		DRWN: NBOHIDAR 2021/09/15			
▽ = 0	ANGULAR TOL ±		CHK'D: BDICK01 2021/09/28			PRODUCT CUSTOMER DRAWING
▽ = 0	4 PLACES		APPR: BDICK01 2021/09/28			
▽ = 0	3 PLACES		INITIAL REVISION:			DOCUMENT NUMBER <b>349920001-SD</b>
▽ = 0	2 PLACES		DRWN: NBOHIDAR 2018/09/01			
▽ = 0	1 PLACE		APPR: APROFFITT 2018/09/07			DOC TYPE   DOC PART   REVISION PSD   000   A8
▽ = 0	DRAFT WHERE APPLICABLE MUST REMAIN WITHIN DIMENSIONS		THIRD ANGLE PROJECTION	E-SIZE	SERIES	MATERIAL NUMBER
▽ = 0				34992		CUSTOMER
						GENERAL MARKET
						SHEET NUMBER
						2 OF 3

# RECOMMENDED MATING INTERFACE



- NOTES FOR INTERFACE: UNLESS OTHERWISE SPECIFIED
- GENERAL TOLERANCES:  
LINEAR DIMENSIONS: +0.20  
ANGULAR DIMENSIONS: +3°
  - DRAFT ANGLE PERMISSIBLE ONLY WITHIN DRAWING TOLERANCE.
  - SEAL SURFACE: NO WITNESS LINES OR IMPERFECTIONS PERMITTED IN THIS AREA.
  - ALL UNMARKED RADII TO BE 0.5 MAX. UNLESS OTHERWISE SPECIFIED.
  - ZERO DRAFT AREA
  - CONNECTION SYSTEM VALIDATED TO BE USCAR2, REVISION 5
  - PIN ROW HEIGHTS ARE INTENTIONALLY OFFSET
- POWER CONTACT PIN NOTES: (1.5 CIRCUITS)
- MATERIAL: Cu ALLOY  
WITH TENSILE STRENGTH > 410 N/mm<sup>2</sup>  
ELECTRICAL CONDUCTANCE > 16 Sm/mm<sup>2</sup>  
(≥28% IACS at 20°C)
  - BASE PLATING: 1.25-2.25μm NI OVERALL
  - REFLOW TIN PLATING: 2.5-4.0μm OVERALL
  - CONTACT MUST BE FREE OF BURRS AND SHARP EDGES.
  - PROCESS COMPONENTS IN A LOW-SULFUR ENVIRONMENT AND AVOID CONTACT WITH MATERIALS THAT TRANSFER SULFUR TO THE ENVIRONMENT.
- SIGNAL CONTACT PIN NOTES: (0.64 CIRCUITS)
- MATERIAL: Cu ALLOY  
WITH TENSILE STRENGTH > 410 N/mm<sup>2</sup>  
ELECTRICAL CONDUCTANCE > 16 Sm/mm<sup>2</sup>  
(≥28% IACS at 20°C)
  - BASE PLATING: 1.25-2.5μm NI OVERALL
  - SILVER PLATING 2-4μm Ag WITH TARNISH RESISTANT TREATMENT APPLIED TO THE ENTIRE SILVER SURFACE.
  - CONTACT MUST BE FREE OF BURRS AND SHARP EDGES.
  - FOR SILVER PLATING: ELECTRICAL PERFORMANCE IS NOT AFFECTED BY GREY OR BLACK TARNISH ON THE SILVER PLATING SURFACE. ACCEPTABLE SILVER PIN SURFACES CAN INCLUDE GREY OR BLACK TARNISH.
  - PROCESS COMPONENTS IN A LOW-SULFUR ENVIRONMENT AND AVOID CONTACT WITH MATERIALS THAT TRANSFER SULFUR TO THE ENVIRONMENT.



SYMBOLS	THIS DRAWING CONTAINS INFORMATION THAT IS PROPRIETARY TO MOLEX ELECTRONIC TECHNOLOGIES, LLC AND SHOULD NOT BE USED WITHOUT WRITTEN PERMISSION		CURRENT REV DESC: NOTE AND TABLE UPDATED		<b>molex</b>
	DIMENSION UNITS	SCALE			
▽ = 0	mm	4:1			GPEC IV CONNECTOR ASSEMBLY 95 CIRCUIT
▽ = 0	GENERAL TOLERANCES (UNLESS SPECIFIED)				
▽ = 0	ANGULAR TOL ±				PRODUCT CUSTOMER DRAWING
▽ = 0	4 PLACES				
▽ = 0	3 PLACES				DOCUMENT NUMBER
▽ = 0	2 PLACES				
▽ = 0	1 PLACE				349920001-SD
▽ = 0	0 PLACES				
□ = 0	DRAFT WHERE APPLICABLE MUST REMAIN WITHIN DIMENSIONS		THIRD ANGLE PROJECTION	DRAWING	SHEET NUMBER
▽ = 0			E-SIZE	34992	3 OF 3



**BOM AND PIN OUT SHEET**

ASSEMBLY DESCRIPTION	ASSEMBLY PART NUMBER	COMPONENT							BLOCKED TERMINALS																	STATUS	COMMENTS								
		THE PRESENCE OF AN ABBREVIATION INDICATES THE PRESENCE OF THAT COMPONENT.							CAVITY WITH A NUMBER INDICATES BLOCKED TERMINAL POSITION CAVITY WITHOUT A NUMBER INDICATES OPEN TERMINAL POSITION																										
		OUTER HOUSING KEY/COLOR	INNER HOUSING	PLR	LEVER	LEVER ARM (x/2)	MAT SEAL	RING SEAL																											
GPEC RCPT CONN 95 CKT END LVR KEY 1/75	349920008	1-BLACK	IH	PLR	LE	LA	M	R	1	-	3	-	5	-	7	-	-	10	-	-	-	-	15	-	-	78	-	-	SALEABLE						
									16	-	-	-	-	-	-	-	-	-	-	-	-	-	-	-	-	-	-	-			-	-	-		
									-	-	-	-	-	-	-	-	-	-	-	-	-	41	-	-	-	-	-	-			-	-	-	-	
									46	-	48	-	-	-	-	-	-	-	-	-	-	56	-	-	-	-	-	-			-	-	-	-	
									61	-	63	64	-	-	67	68	69	-	-	-	-	-	-	-	-	74	75	-			-	-	-	-	-
GPEC RCPT CONN 95 CKT END LVR KEY 1/76	349920009	1-BLACK	IH	PLR	LE	LA	M	R	1	-	3	-	5	-	7	-	-	10	-	-	-	-	-	-	-	-	-	-	SALEABLE						
									16	-	-	-	-	-	-	-	-	-	-	-	-	-	-	-	-	-	-	-			-	-			
									-	-	-	-	-	-	-	-	-	-	-	-	-	41	-	-	-	-	-	-			-	-	-	-	
									46	-	48	-	-	-	-	-	-	-	-	-	-	56	-	-	-	-	-	-			-	-	-	-	
									61	-	63	64	-	66	67	68	69	-	-	-	-	-	-	-	-	74	75	-			-	-	-	-	-
GPEC RCPT CONN 95 CKT END LVR KEY 1/80	349920010	1-BLACK	IH	PLR	LE	LA	M	R	1	-	3	-	5	-	7	-	-	10	-	-	-	-	-	-	-	-	-	-	SALEABLE						
									16	-	-	-	-	-	-	-	-	-	-	-	-	-	-	-	-	-	-	-			-	-			
									-	-	-	-	-	-	-	-	-	-	-	-	-	41	-	-	-	-	-	-			-	-	-	-	
									46	-	48	-	-	-	-	-	-	-	-	-	-	56	-	-	-	-	-	-			-	-	-	-	
									61	-	63	64	-	-	67	-	69	-	-	-	-	-	-	-	-	-	-	-			-	-	-	-	
GPEC RCPT CONN 95 CKT END LVR KEY 1/79	349920011	1-BLACK	IH	PLR	LE	LA	M	R	1	-	-	-	-	-	-	-	-	-	-	-	-	15	-	-	78	-	-	SALEABLE							
									16	-	-	-	-	-	22	-	-	-	-	-	-	-	-	-	-	-	-			-	-	-			
									-	-	-	-	-	-	-	-	-	-	-	-	-	-	-	-	-	-	-			-	-	-	-	-	
									-	-	-	-	-	-	-	-	-	55	56	-	-	-	-	-	-	-	-			-	-	-	-	-	
									-	62	63	64	-	-	67	68	69	-	-	-	-	-	-	-	-	74	75			-	-	-	-	-	-
GPEC RCPT CONN 95 CKT END LVR KEY 1/74	349920012	1-BLACK	IH	PLR	LE	LA	M	R	-	-	3	-	-	-	-	-	9	10	-	12	-	-	-	-	-	-	-	-	SALEABLE						
									-	-	18	-	-	-	-	-	24	25	-	-	-	-	-	-	-	-	-	-			-	-	-		
									31	-	-	-	-	-	-	-	-	-	-	-	-	-	-	-	-	-	-	-			-	-	-	-	
									-	47	48	-	-	-	-	-	-	-	-	-	56	-	-	-	-	-	-	-			-	-	-	-	
									-	-	-	64	65	-	-	68	69	-	71	-	-	-	-	-	-	74	75	-			-	-	-	-	-
GPEC RCPT CONN 95 CKT END LVR KEY 1/83	349920013	1-BLACK	IH	PLR	LE	LA	M	R	1	-	-	-	-	-	-	-	-	-	-	-	-	-	-	-	78	-	-	SALEABLE							
									16	-	-	-	-	-	-	-	-	-	-	-	-	-	-	-	-	-	-			-	-	-	-		
									-	-	-	-	-	-	-	-	-	-	-	-	-	-	-	-	-	-	-			-	-	-	-	-	
									-	-	-	-	-	-	-	-	-	55	56	-	-	-	-	-	-	-	-			-	-	-	-	-	
									-	62	63	64	-	-	67	68	69	-	-	-	-	-	-	-	-	-	-			-	-	-	-	-	
GPEC RCPT CONN 95 CKT END LVR KEY 1/79	349920014	1-BLACK	IH	PLR	LE	LA	M	R	-	-	-	-	-	-	-	-	9	-	-	-	-	-	-	-	-	-	-	SALEABLE							
									-	-	18	-	-	-	-	-	24	25	-	-	-	-	-	-	-	-	-			-	-	-	-		
									-	-	-	-	-	-	-	-	-	-	-	-	-	-	-	-	-	-	-			-	-	-	-	-	
									-	47	48	-	-	-	-	-	-	-	-	-	56	-	-	-	-	-	-			-	-	-	-	-	
									-	-	-	64	65	-	-	68	69	-	71	-	-	-	-	-	-	74	75			-	-	-	-	-	-
GPEC RCPT CONN 95 CKT END LVR KEY 1/82	349920015	1-BLACK	IH	PLR	LE	LA	M	R	-	-	-	-	-	-	-	-	9	-	-	-	-	-	-	-	-	-	-	SALEABLE							
									-	-	18	-	-	-	-	-	24	25	-	-	-	-	-	-	-	-	-			-	-	-	-		
									-	-	-	-	-	-	-	-	-	-	-	-	-	-	-	-	-	-	-			-	-	-	-	-	
									-	-	-	-	-	-	-	-	-	-	-	-	-	-	-	-	-	-	-			-	-	-	-	-	
									-	-	-	64	65	-	-	68	69	-	71	-	-	-	-	-	-	74	75			-	-	-	-	-	-
GPEC RCPT CONN 95 CKT END LVR KEY 1/77	349920016	1-BLACK	IH	PLR	LE	LA	M	R	1	-	-	-	-	-	-	-	-	-	-	-	-	15	-	-	78	-	-	SALEABLE							
									16	-	-	-	-	-	22	-	-	-	-	-	-	-	-	-	-	-	-			-	-	-	-		
									-	-	-	-	-	-	-	-	-	-	-	-	-	-	-	-	-	-	-			-	-	-	-	-	
									-	-	-	-	-	-	-	-	-	55	56	57	-	-	-	-	-	-	-			-	-	-	-	-	
									-	62	63	64	-	66	67	68	69	-	-	-	-	-	-	-	-	74	75			-	-	-	-	-	-
GPEC RCPT CONN 95 CKT END LVR KEY 1/67	349920017	1-BLACK	IH	PLR	LE	LA	M	R	-	-	3	-	-	-	-	-	9	10	-	12	-	-	15	-	-	78	-	-	SALEABLE						
									-	-	18	-	-	-	-	-	24	25	-	-	-	-	-	-	-	-	-	-			-	-	-	30	
									31	-	-	-	-	-	-	-	-	-	-	-	-	-	-	-	-	-	-	-			-	-	-	-	45
									-	-	-	-	-	-	-	-	-	-	-	-	-	-	-	-	-	-	-	-			-	-	-	-	-
									-	62	63	64	65	-	-	68	69	70	71	72	73	74	75	-	-	-	-	-			-	-	-	-	-











**BOM AND PIN OUT SHEET**

ASSEMBLY DESCRIPTION	ASSEMBLY PART NUMBER	COMPONENT							BLOCKED TERMINALS																	STATUS	COMMENTS										
		THE PRESENCE OF AN ABBREVIATION INDICATES THE PRESENCE OF THAT COMPONENT.							CAVITY WITH A NUMBER INDICATES BLOCKED TERMINAL POSITION CAVITY WITHOUT A NUMBER INDICATES OPEN TERMINAL POSITION																												
		OUTER HOUSING KEY/COLOR	INNER HOUSING	PLR	LEVER	LEVER ARM (x/2)	MAT SEAL	RING SEAL																													
GPEC RCPT CONN 95 CKT TOP LVR KEY 3/44	349925010	3-BLACK	IH	PLR	LT	LA	M	R	-	-	-	4	5	-	7	8	-	-	-	12	13	14	15	-	77	78	79	-									
									16	17	18	19	20	21	-	23	24	25	26	-	28	29	30	81	-	-	-	-									
									-	-	-	-	-	-	-	-	-	-	-	-	-	-	-	-	-	-	-	-	-	-	-	-	-	-	-	-	-
									46	47	-	49	-	51	52	53	54	55	56	57	58	59	60	86	-	-	-	-									
									61	-	-	-	-	66	67	68	69	70	71	-	73	74	75	91	92	-	-	-									
GPEC RCPT CONN 95 CKT TOP LVR KEY 3/50	349925011	3-BLACK	IH	PLR	LT	LA	M	R	-	-	-	4	5	-	-	8	-	-	-	-	-	14	15	-	77	78	79	-									
									16	17	18	19	20	21	22	23	-	25	26	-	28	29	30	81	-	-	-	-									
									-	-	-	-	-	-	-	-	-	-	40	-	-	-	-	-	-	-	-	-	-	-	-	-	-	-	-	-	
									46	-	48	-	-	51	-	-	54	55	56	57	58	59	-	86	-	-	-	-									
									61	-	-	64	-	66	67	68	69	70	71	72	-	-	75	91	92	-	-	-									
GPEC RCPT CONN 95 CKT TOP LVR KEY 3/45	349925012	3-BLACK	IH	PLR	LT	LA	M	R	-	2	-	4	-	-	7	8	-	-	-	12	13	14	15	-	77	78	79	-									
									16	17	18	-	20	21	22	23	-	25	26	-	28	29	30	81	-	-	-	-									
									-	-	-	-	-	-	-	-	-	-	-	42	-	-	-	-	-	-	-	-	-	-	-	-	-	-	-	-	
									46	-	48	49	-	51	52	53	54	55	56	57	58	59	60	86	-	-	-	-									
									61	-	-	-	-	66	67	68	69	70	71	72	-	74	-	91	92	-	-	-									
GPEC RCPT CONN 95 CKT TOP LVR KEY 3/43	349925013	3-BLACK	IH	PLR	LT	LA	M	R	-	2	-	4	-	-	7	8	-	-	-	12	13	14	15	-	77	78	79	-									
									16	17	18	-	20	21	22	23	-	25	26	-	28	29	30	81	-	-	-	-									
									-	-	-	-	-	-	-	-	-	-	40	-	42	-	-	-	-	-	-	-	-	-	-	-	-	-	-	-	
									46	47	48	49	-	51	52	53	54	55	56	57	58	59	60	86	-	-	-	-									
									61	-	-	-	-	66	67	68	69	70	71	72	-	74	-	91	92	-	-	-									
GPEC RCPT CONN 95 CKT TOP LVR KEY 3/42	349925014	3-BLACK	IH	PLR	LT	LA	M	R	-	-	-	-	-	6	-	-	-	-	11	12	-	-	15	-	-	-	-	-									
									-	-	-	-	-	21	22	23	-	25	-	27	-	29	-	-	-	-	-	-									
									31	32	33	34	35	-	37	-	39	-	41	-	43	44	45	-	-	-	-	-									
									46	47	48	-	50	51	-	53	54	55	56	57	58	-	-	-	87	88	89	-									
									61	62	63	64	65	66	67	68	69	70	71	72	73	74	75	-	92	93	94	-									
GPEC RCPT CONN 95 CKT TOP LVR KEY 3/42	349925015	3-BLACK	IH	PLR	LT	LA	M	R	1	-	-	4	5	-	-	-	-	10	-	-	-	-	-	-	-	-	-	-									
									-	17	-	19	-	21	-	23	24	25	-	-	-	-	-	-	-	-	-	-									
									31	32	33	-	35	-	37	-	39	-	41	42	43	44	45	-	-	-	-	-									
									-	-	48	49	50	51	52	53	-	55	56	-	58	59	60	-	87	88	89	-									
									61	62	63	64	65	66	67	68	69	70	71	72	73	74	75	-	92	93	94	-									
GPEC RCPT CONN 95 CKT TOP LVR KEY 3/51	349925016	3-BLACK	IH	PLR	LT	LA	M	R	-	-	-	4	5	-	-	-	-	-	-	-	-	-	-	-	-	-	-										
									-	-	-	-	-	21	-	23	24	25	26	27	-	29	-	81	82	-	-	-									
									-	32	33	-	35	-	37	-	-	-	-	-	43	44	-	-	-	88	89	-									
									-	-	-	-	50	-	52	53	54	55	-	-	58	59	60	-	-	93	94	-									
									61	62	63	64	65	66	67	68	69	70	71	72	73	74	75	-	-	-	-	-									
GPEC RCPT CONN 95 CKT TOP LVR KEY 3/47	349925017	3-BLACK	IH	PLR	LT	LA	M	R	-	-	-	4	-	-	-	-	-	10	-	-	-	-	-	-	-	-	-										
									-	17	-	19	-	21	-	23	24	25	-	-	-	-	-	-	-	-	-	-									
									-	32	33	-	35	-	37	-	39	-	-	-	43	44	45	-	-	-	-	-									
									-	-	48	49	50	51	52	53	-	55	56	-	58	59	60	-	87	88	89	-									
									61	62	63	64	65	66	67	68	69	70	71	72	73	74	75	-	92	93	94	-									
GPEC RCPT CONN 95 CKT TOP LVR KEY 3/45	349925018	3-BLACK	IH	PLR	LT	LA	M	R	-	-	3	4	5	-	-	8	-	-	-	-	-	14	15	-	77	78	79	-									
									16	17	18	19	20	21	22	23	-	25	26	-	28	29	30	81	-	-	-	-									
									-	-	-	-	-	-	-	-	-	-	40	-	-	-	-	-	-	-	-	-	-	-	-	-	-	-	-	-	
									46	-	48	49	-	51	52	-	-	55	56	57	-	59	60	86	-	-	-	-									
									61	-	-	64	-	66	67	68	69	70	71	72	73	74	75	91	92	93	-	-									
GPEC RCPT CONN 95 CKT TOP LVR KEY 3/56	349925019	3-BLACK	IH	PLR	LT	LA	M	R	-	-	-	-	-	-	-	-	-	-	-	-	-	-	-	-	-	-	-										
									-	-	-	19	-	21	-	-	24	25	-	-	-	-	-	-	-	-	-	-									
									31	-	33	-	35	-	-	-	39	-	41	-	43	44	-	-	-	-	-	-									
									-	-	48	49	50	51	52	53	-	55	-	-	58	59	60	-	-	88	-	-									
									61	62	63	64	65	66	67	68	69	70	71	72	73	74	75	-	-	93	94	-									



**BOM AND PIN OUT SHEET**

ASSEMBLY DESCRIPTION	ASSEMBLY PART NUMBER	COMPONENT							BLOCKED TERMINALS																	STATUS	COMMENTS				
		THE PRESENCE OF AN ABBREVIATION INDICATES THE PRESENCE OF THAT COMPONENT.							CAVITY WITH A NUMBER INDICATES BLOCKED TERMINAL POSITION CAVITY WITHOUT A NUMBER INDICATES OPEN TERMINAL POSITION																						
		OUTER HOUSING KEY/COLOR	INNER HOUSING	PLR	LEVER	LEVER ARM (x/2)	MAT SEAL	RING SEAL																							
GPEC RCPT CONN 95 CKT TOP LVR KEY 3/50	349925030	3-BLACK	IH	PLR	LT	LA	M	R	-	-	3	4	-	-	-	8	-	-	-	-	-	14	15	76	-	78	79	80	SALEABLE		
									16	17	18	-	20	21	22	23	24	25	26	-	28	29	30	-	-	-	-	-			
									-	-	-	-	-	-	-	-	-	40	-	42	-	-	-	-	-	-	-	-			
									-	47	48	-	-	-	52	53	54	-	-	-	-	-	-	-	-	-	-	-			
									61	-	63	64	65	66	67	68	69	70	-	72	73	74	-	91	92	93	-	95			
GPEC RCPT CONN 95 CKT TOP LVR KEY 3/57	349925031	3-BLACK	IH	PLR	LT	LA	M	R	-	-	-	-	-	-	-	-	-	-	-	-	-	-	-	-	-	-	-	-	SALEABLE		
									-	-	-	19	-	21	-	-	24	25	-	-	-	-	-	-	-	-	-	-			
									-	-	33	-	-	-	-	-	39	-	41	-	43	44	-	-	-	-	-	-			
									-	-	48	49	50	51	52	53	-	55	-	-	58	59	60	-	-	88	89	-			
									61	62	63	64	65	66	67	68	69	70	71	72	73	74	75	-	-	93	94	-			
GPEC RCPT CONN 95 CKT TOP LVR KEY 3/47	349925032	3-BLACK	IH	PLR	LT	LA	M	R	-	-	-	4	5	-	-	8	-	-	-	12	13	14	15	-	77	78	79	-	SALEABLE		
									16	17	18	19	20	21	22	23	-	25	26	-	28	29	30	81	-	-	-	-			
									-	-	-	-	-	-	-	-	-	40	-	-	-	-	-	-	-	-	-	-			
									46	47	-	49	-	51	-	53	54	55	56	57	58	59	-	86	-	-	-	-			
									61	62	-	-	-	66	-	68	69	70	71	72	73	-	-	91	92	-	-	-			
GPEC RCPT CONN 95 CKT END LVR KEY 4/95	349926001	4-BLACK	IH	PLR	LE	LA	M	R	-	-	-	-	-	-	-	-	-	-	-	-	-	-	-	-	-	-	-	-	SALEABLE		
									-	-	-	-	-	-	-	-	-	-	-	-	-	-	-	-	-	-	-	-			
									-	-	-	-	-	-	-	-	-	-	-	-	-	-	-	-	-	-	-	-			
									-	-	-	-	-	-	-	-	-	-	-	-	-	-	-	-	-	-	-	-			
									-	-	-	-	-	-	-	-	-	-	-	-	-	-	-	-	-	-	-	-			
GPEC RCPT CONN 95 CKT END LVR KEY 4/72	349926002	4-BLACK	IH	PLR	LE	LA	M	R	-	-	3	-	-	6	7	-	9	-	-	-	-	-	15	-	-	-	-	-	SALEABLE		
									-	-	-	-	20	21	22	-	-	-	-	-	-	-	-	-	-	-	-	85			
									-	-	-	34	35	36	37	38	39	-	-	-	-	-	-	-	-	-	-	-			
									46	47	48	49	-	-	-	-	-	-	56	-	-	-	-	86	-	-	-	-			
									-	-	63	-	-	-	-	-	69	-	-	-	-	-	-	-	-	-	-	-			
GPEC RCPT CONN 95 CKT END LVR KEY 4/72	349926003	4-BLACK	IH	PLR	LE	LA	M	R	-	2	-	-	-	6	7	-	-	-	11	12	13	14	-	-	-	-	-	-	SALEABLE		
									-	-	-	19	-	21	-	-	-	-	-	27	28	-	-	-	82	-	-	-			
									31	-	-	-	-	-	-	-	-	-	41	-	-	-	45	-	-	-	-	-			
									46	47	-	-	-	-	-	-	-	-	-	-	-	-	-	-	87	-	-	-			
									61	-	-	64	-	-	67	-	-	-	-	72	-	74	-	-	-	-	-	-			
GPEC RCPT CONN 95 CKT END LVR KEY 4/63	349926004	4-BLACK	IH	PLR	LE	LA	M	R	-	2	-	-	5	6	7	-	-	-	11	12	13	14	-	-	-	78	-	-	SALEABLE		
									-	-	-	19	-	21	-	-	-	-	-	27	28	-	-	-	82	83	-	-			
									31	-	-	-	35	-	-	-	-	-	41	-	-	-	45	-	-	-	-	-			
									46	47	-	-	-	-	-	-	-	-	-	57	58	59	-	-	87	88	-	-			
									61	-	-	64	-	-	67	-	-	-	-	72	-	74	-	-	-	93	-	-			
GPEC RCPT CONN 95 CKT TOP LVR KEY 4/95	349927001	4-BLACK	IH	PLR	LT	LA	M	R	-	-	-	-	-	-	-	-	-	-	-	-	-	-	-	-	-	-	-	-	SALEABLE		
									-	-	-	-	-	-	-	-	-	-	-	-	-	-	-	-	-	-	-	-			
									-	-	-	-	-	-	-	-	-	-	-	-	-	-	-	-	-	-	-	-			
									-	-	-	-	-	-	-	-	-	-	-	-	-	-	-	-	-	-	-	-			
									-	-	-	-	-	-	-	-	-	-	-	-	-	-	-	-	-	-	-	-			
GPEC RCPT CONN 95 CKT TOP LVR KEY 4/76	349927002	4-BLACK	IH	PLR	LT	LA	M	R	-	-	-	-	-	-	-	-	-	-	-	-	-	15	-	-	-	-	-	SALEABLE			
									-	17	-	-	20	-	-	-	-	-	-	-	-	-	-	-	-	-	-			85	
									-	-	-	-	35	36	37	-	-	-	-	42	43	-	45	-	-	-	-			-	
									46	47	48	49	-	-	-	-	-	-	56	-	-	-	-	-	-	-	-			-	
									-	-	63	-	-	-	-	-	69	-	-	-	-	-	-	-	-	93	94			-	
GPEC RCPT CONN 95 CKT TOP LVR KEY 4/50	349927003	4-BLACK	IH	PLR	LT	LA	M	R	-	-	3	4	5	6	-	-	9	-	-	12	13	-	15	-	77	78	79	-	SALEABLE		
									16	17	18	19	20	21	-	23	24	25	26	-	28	-	30	-	-	-	-	-			
									-	-	-	-	-	-	-	-	38	-	-	-	-	-	44	-	-	-	-	-			-
									46	47	-	49	-	51	-	53	54	-	56	-	-	59	-	86	-	-	-	-			
									61	-	-	-	-	66	67	68	69	70	71	-	73	74	75	91	-	-	-	-			

**BOM AND PIN OUT SHEET**

ASSEMBLY DESCRIPTION	ASSEMBLY PART NUMBER	COMPONENT							BLOCKED TERMINALS																	STATUS	COMMENTS		
		THE PRESENCE OF AN ABBREVIATION INDICATES THE PRESENCE OF THAT COMPONENT.							CAVITY WITH A NUMBER INDICATES BLOCKED TERMINAL POSITION CAVITY WITHOUT A NUMBER INDICATES OPEN TERMINAL POSITION																				
		OUTER HOUSING KEY/COLOR	INNER HOUSING	PLR	LEVER	LEVER ARM (x/2)	MAT SEAL	RING SEAL																					
GPEC RCPT CONN 95 CKT TOP LVR KEY 4/53	349927004	4-BLACK	IH	PLR	LT	LA	M	R	-	-	3	4	5	-	-	-	9	-	-	-	-	-	15	-	77	78	79	-	
									16	17	18	19	20	21	-	23	24	25	26	-	28	-	30	-	-	-	-	-	
									-	-	-	-	-	-	-	38	-	-	-	-	-	44	-	-	-	-	-	-	
									46	47	48	49	-	51	-	-	54	-	56	-	-	59	-	86	-	-	-	-	
									61	-	-	-	-	66	67	68	69	70	71	-	73	74	75	91	-	-	-	-	
GPEC RCPT CONN 95 CKT TOP LVR KEY 4/51	349927005	4-BLACK	IH	PLR	LT	LA	M	R	-	-	3	4	5	-	-	-	9	-	-	-	12	13	-	15	-	77	78	79	-
									16	17	18	19	20	21	-	23	24	25	26	-	28	-	30	-	-	-	-	-	
									-	-	-	-	-	-	-	38	-	-	-	-	-	44	-	-	-	-	-	-	
									46	47	-	49	-	51	-	53	54	-	56	-	-	59	-	86	-	-	-	-	
									61	-	-	-	-	66	67	68	69	70	71	-	73	74	75	91	-	-	-	-	
GPEC RCPT CONN 95 CKT TOP LVR KEY 4/50	349927006	4-BLACK	IH	PLR	LT	LA	M	R	-	-	3	4	-	-	-	9	-	-	-	12	13	-	15	-	77	78	79	-	
									16	17	18	19	20	21	-	23	24	25	26	-	28	-	30	-	-	-	-	-	
									-	-	-	-	-	-	-	38	-	-	-	-	43	44	45	-	-	-	-	-	
									46	47	48	49	-	51	-	53	54	-	56	-	-	59	-	86	-	-	-	-	
									61	-	-	-	-	66	67	68	69	70	71	-	73	74	-	91	-	-	-	-	
GPEC RCPT CONN 95 CKT TOP LVR KEY 4/54	349927007	4-BLACK	IH	PLR	LT	LA	M	R	-	-	3	4	5	-	-	-	9	-	-	-	-	-	15	-	77	78	79	80	
									16	17	18	19	20	-	23	24	25	26	-	28	-	-	-	-	-	-	-		
									-	-	-	-	-	-	-	38	-	-	-	-	-	44	-	-	-	-	-	-	
									46	47	-	49	-	51	-	-	54	-	56	-	-	59	-	86	-	-	-	-	
									61	-	-	-	-	66	67	68	69	70	71	-	73	74	75	91	-	-	-	95	
GPEC RCPT CONN 95 CKT TOP LVR KEY 4/46	349927008	4-BLACK	IH	PLR	LT	LA	M	R	-	-	3	4	-	-	-	9	-	-	-	12	13	-	15	-	77	78	79	80	
									16	17	18	19	20	21	-	23	24	25	26	-	28	-	30	-	-	-	-	85	
									-	-	-	-	-	-	-	38	-	-	-	-	43	44	45	-	-	-	-	-	
									46	47	48	49	-	51	-	53	54	-	56	-	-	59	-	86	-	-	-	-	
									61	-	-	-	-	66	67	68	69	70	71	-	73	74	-	91	-	-	94	95	
GPEC RCPT CONN 95 CKT TOP LVR KEY 4/45	349927009	4-BLACK	IH	PLR	LT	LA	M	R	-	-	3	4	-	6	7	8	9	-	-	-	12	13	-	15	-	77	78	79	80
									16	17	18	19	20	-	23	24	25	26	-	28	-	-	-	-	-	-	85		
									-	-	-	-	-	-	-	38	-	-	41	-	43	44	45	-	-	-	-	-	
									46	47	48	49	-	51	-	53	54	-	56	-	-	59	-	86	-	-	-	-	
									61	-	-	-	-	66	67	68	-	70	71	-	73	74	-	91	-	-	94	95	
GPEC RCPT CONN 95 CKT TOP LVR KEY 4/42	349927010	4-BLACK	IH	PLR	LT	LA	M	R	-	-	3	4	-	6	7	8	9	-	-	-	12	13	-	15	-	77	78	79	80
									16	17	18	19	20	21	-	23	24	25	26	-	28	-	30	-	-	-	-	85	
									-	-	-	-	-	-	-	38	-	-	41	-	43	44	45	-	-	-	-	-	
									46	47	48	49	-	51	-	53	54	-	56	-	-	59	-	86	-	-	-	-	
									61	-	-	-	-	66	67	68	69	70	71	-	73	74	-	91	-	-	94	95	
GPEC RCPT CONN 95 CKT TOP LVR KEY 4/47	349927011	4-BLACK	IH	PLR	LT	LA	M	R	-	-	3	4	5	-	-	-	9	-	-	-	12	13	-	15	-	77	78	79	80
									16	17	18	-	20	21	-	23	24	25	26	-	28	-	30	-	-	-	-	85	
									-	-	-	-	-	-	-	38	-	-	-	-	43	44	45	-	-	-	-	-	
									46	47	-	49	-	51	-	53	54	-	56	-	-	59	-	86	-	-	-	-	
									61	-	-	-	-	66	67	68	69	70	71	-	73	74	-	91	-	-	94	95	
GPEC RCPT CONN 95 CKT TOP LVR KEY 4/52	349927012	4-BLACK	IH	PLR	LT	LA	M	R	1	2	3	4	5	6	-	-	9	-	-	-	-	14	15	-	77	-	79	80	
									-	17	18	19	20	-	-	23	24	25	-	-	28	-	-	-	-	-	-	85	
									-	-	-	-	-	-	37	-	-	-	-	-	-	44	-	-	-	-	-	-	
									46	-	48	49	-	51	-	-	-	-	56	-	-	59	-	86	-	-	-	-	
									61	-	63	64	-	66	67	68	69	-	71	-	-	74	75	91	92	-	-	95	
GPEC RCPT CONN 95 CKT TOP LVR KEY 4/47	349927013	4-BLACK	IH	PLR	LT	LA	M	R	-	-	3	4	-	-	-	9	-	-	-	12	13	-	15	-	77	78	79	80	
									16	17	18	-	20	21	-	23	24	25	26	-	28	-	30	-	-	-	-	85	
									-	-	-	-	-	-	-	38	-	-	-	-	43	44	45	-	-	-	-	-	
									46	47	48	49	-	51	-	53	54	-	56	-	-	59	-	86	-	-	-	-	
									61	-	-	-	-	66	67	68	69	70	71	-	73	74	-	91	-	-	94	95	

BOM AND PIN OUT SHEET

ASSEMBLY DESCRIPTION	ASSEMBLY PART NUMBER	COMPONENT							BLOCKED TERMINALS																	STATUS	COMMENTS				
		THE PRESENCE OF AN ABBREVIATION INDICATES THE PRESENCE OF THAT COMPONENT.							CAVITY WITH A NUMBER INDICATES BLOCKED TERMINAL POSITION CAVITY WITHOUT A NUMBER INDICATES OPEN TERMINAL POSITION																						
		OUTER HOUSING KEY/COLOR	INNER HOUSING	PLR	LEVER	LEVER ARM (x/2)	MAT SEAL	RING SEAL																							
GPEC RCPT CONN 95 CKT TOP LVR KEY 4/50	349927014	4-BLACK	IH	PLR	LT	LA	M	R	-	-	3	4	-	-	-	-	9	-	-	12	13	-	15	-	77	78	79	80	SALEABLE		
									16	17	18	-	20	21	-	23	24	25	26	-	28	-	30	-	-	-	-	85			
									-	-	-	-	-	-	-	38	-	-	-	-	43	-	-	-	-	-	-	-			
									46	47	-	49	-	51	52	53	54	-	56	-	-	59	-	86	-	-	-	-			
									-	-	-	-	-	66	67	68	69	70	71	-	73	74	-	91	-	-	94	95			
GPEC RCPT CONN 95 CKT TOP LVR KEY 4/52	349927015	4-BLACK	IH	PLR	LT	LA	M	R	1	-	3	4	-	6	-	-	9	-	-	-	-	-	15	-	-	78	79	80	SALEABLE		
									16	17	-	19	-	21	-	23	24	25	26	-	28	29	30	-	-	-	-	85			
									-	-	-	-	-	-	-	-	-	-	-	-	42	-	44	-	-	-	-	-			-
									46	-	-	49	-	51	-	53	54	55	56	-	-	59	-	86	-	-	-	-			
									-	-	-	64	-	66	67	68	69	70	71	-	-	74	75	91	-	-	-	95			
GPEC RCPT CONN 95 CKT TOP LVR KEY 4/50	349927016	4-BLACK	IH	PLR	LT	LA	M	R	-	-	3	4	-	-	-	-	9	-	-	12	13	-	15	-	77	78	79	80	SALEABLE		
									16	17	18	-	20	21	22	23	-	25	26	-	28	-	30	-	-	-	-	85			
									-	-	-	-	-	-	-	-	-	40	-	42	-	44	-	-	-	-	-	-			
									46	47	48	-	-	51	52	53	54	-	56	-	-	59	-	86	-	-	-	-			
									61	-	-	-	-	66	67	68	-	70	71	72	73	74	-	-	-	-	-	95			
GPEC RCPT CONN 95 CKT TOP LVR KEY 4/57	349927017	4-BLACK	IH	PLR	LT	LA	M	R	-	-	3	-	5	-	7	8	9	-	-	-	13	-	-	-	-	-	-	-	SALEABLE		
									-	-	-	19	20	-	22	23	24	25	26	-	28	-	-	-	-	-	-	85			
									31	32	-	34	35	36	37	-	39	-	-	42	43	44	-	-	-	-	-	-			
									46	-	-	49	50	51	52	-	-	-	-	57	-	-	-	86	-	88	-	-			
									-	-	-	-	-	-	-	-	69	70	-	-	-	74	-	-	-	-	94	95			
GPEC RCPT CONN 95 CKT TOP LVR KEY 4/39	349927018	4-BLACK	IH	PLR	LT	LA	M	R	-	-	3	4	-	6	7	8	9	-	-	12	13	-	15	-	77	78	79	80	SALEABLE		
									16	17	18	-	20	21	22	23	24	25	26	-	28	-	30	-	-	-	-	85			
									-	-	-	-	-	-	-	-	-	40	41	42	43	44	45	-	-	-	-	-			
									46	47	48	49	-	51	52	53	54	-	56	-	-	59	60	86	-	-	-	-			
									61	-	-	-	-	66	67	68	-	70	71	72	73	74	-	91	-	-	94	95			
GPEC RCPT CONN 95 CKT END LVR KEY N/95	349928000	NIL - GRAY	IH	PLR	LE	LA	M	R	-	-	-	-	-	-	-	-	-	-	-	-	-	-	-	-	-	-	-	-	NOT RECOMMENDED		
									-	-	-	-	-	-	-	-	-	-	-	-	-	-	-	-	-	-	-	-			
									-	-	-	-	-	-	-	-	-	-	-	-	-	-	-	-	-	-	-	-			
									-	-	-	-	-	-	-	-	-	-	-	-	-	-	-	-	-	-	-	-			
									-	-	-	-	-	-	-	-	-	-	-	-	-	-	-	-	-	-	-	-			
GPEC RCPT CONN 95 CKT END LVR KEY 5/95	349928001	5-BLACK	IH	PLR	LE	LA	M	R	-	-	-	-	-	-	-	-	-	-	-	-	-	-	-	-	-	-	-	-	SALEABLE		
									-	-	-	-	-	-	-	-	-	-	-	-	-	-	-	-	-	-	-	-			
									-	-	-	-	-	-	-	-	-	-	-	-	-	-	-	-	-	-	-	-			
									-	-	-	-	-	-	-	-	-	-	-	-	-	-	-	-	-	-	-	-			
									-	-	-	-	-	-	-	-	-	-	-	-	-	-	-	-	-	-	-	-			
GPEC RCPT CONN 95 CKT END LVR KEY 5/95	349928002	5-BLACK	IH	PLR	LE	LA	M	R	-	-	-	-	-	-	-	-	-	-	-	-	-	-	-	-	-	-	-	-	SALEABLE		
									-	-	-	-	-	-	-	-	-	-	-	-	-	-	-	-	-	-	-	-			
									-	-	-	-	-	-	-	-	-	-	-	-	-	-	-	-	-	-	-	-			
									-	-	-	-	-	-	-	-	-	-	-	-	-	-	-	-	-	-	-	-			
									-	-	-	-	-	-	-	-	-	-	-	-	-	-	-	-	-	-	-	-			
GPEC RCPT CONN 95 CKT END LVR KEY 5/49	349928003	5-BLACK	IH	PLR	LE	LA	M	R	-	2	3	4	-	-	-	-	-	-	-	-	-	14	15	-	-	-	-	-	SALEABLE		
									-	17	18	-	20	21	-	-	24	-	26	27	-	-	30	81	-	-	-	85			
									-	-	33	34	35	-	-	38	39	-	41	-	-	44	-	-	-	-	-	-			
									46	47	48	49	50	51	52	53	-	-	-	57	58	-	-	86	87	88	-	-			
									-	62	63	64	65	66	67	68	-	70	71	72	-	-	-	91	-	-	-	-			
GPEC RCPT CONN 95 CKT END LVR KEY 5/56	349928004	5-BLACK	IH	PLR	LE	LA	M	R	-	-	-	4	5	-	-	-	-	-	-	-	-	-	-	-	-	-	-	-	SALEABLE		
									-	-	-	-	-	21	-	23	-	-	26	27	-	-	-	-	-	-	-	-			
									31	32	-	-	-	-	37	-	39	-	-	42	43	-	-	-	-	-	-	-			
									-	-	48	49	50	51	52	53	54	55	56	-	58	59	60	-	87	-	-	-			
									61	62	63	64	65	-	67	68	-	-	-	72	73	74	75	-	92	93	94	-			

**BOM AND PIN OUT SHEET**

ASSEMBLY DESCRIPTION	ASSEMBLY PART NUMBER	COMPONENT							BLOCKED TERMINALS																	STATUS	COMMENTS				
		THE PRESENCE OF AN ABBREVIATION INDICATES THE PRESENCE OF THAT COMPONENT.							CAVITY WITH A NUMBER INDICATES BLOCKED TERMINAL POSITION CAVITY WITHOUT A NUMBER INDICATES OPEN TERMINAL POSITION																						
		OUTER HOUSING KEY/COLOR	INNER HOUSING	PLR	LEVER	LEVER ARM (x/2)	MAT SEAL	RING SEAL																							
GPEC RCPT CONN 95 CKT END LVR KEY 5/44	349928005	5-BLACK	IH	PLR	LE	LA	M	R	-	-	-	-	5	-	-	-	-	-	-	12	-	-	-	76	77	78	79	80	SALEABLE		
									-	-	-	-	-	21	-	-	24	25	-	27	-	29	-	-	-	83	84	85			
									31	32	33	34	35	-	-	-	39	-	-	-	43	44	-	-	-	-	-	90			
									-	-	48	49	50	51	52	-	-	55	56	-	58	59	60	-	-	-	94	95			
									61	62	63	64	65	66	67	68	69	70	71	72	73	74	75	-	-	-	-	-			
GPEC RCPT CONN 95 CKT END LVR KEY 5/55	349928006	5-BLACK	IH	PLR	LE	LA	M	R	-	-	-	4	-	-	-	8	-	-	-	-	-	14	15	-	77	-	79	-	SALEABLE		
									-	17	18	-	20	21	-	23	24	-	-	27	-	-	30	81	-	-	-	-			
									-	-	33	34	35	-	-	38	-	-	-	-	-	44	-	-	-	-	-	-			
									46	47	48	49	50	51	52	53	54	-	-	57	-	-	-	86	87	88	-	90			
									-	62	63	-	-	66	67	-	-	-	-	72	-	-	-	91	-	-	-	-			
GPEC RCPT CONN 95 CKT END LVR KEY 5/43	349928007	5-BLACK	IH	PLR	LE	LA	M	R	1	2	3	-	5	6	7	8	9	10	11	12	13	14	-	76	77	78	79	80	SALEABLE		
									16	-	-	-	-	-	-	-	-	25	26	27	28	29	-	-	82	83	84	-			
									31	32	-	-	-	36	37	-	-	40	-	42	43	-	45	-	-	-	-	-			
									-	-	-	49	-	-	-	-	-	55	56	-	-	59	-	86	-	-	89	90			
									61	-	-	64	-	-	-	-	-	-	-	-	72	73	-	75	91	92	93	94	95		
GPEC RCPT CONN 95 CKT END LVR KEY 5/67	349928008	5-BLACK	IH	PLR	LE	LA	M	R	-	-	-	4	-	-	-	-	-	-	-	-	-	-	-	-	-	-	-	-	SALEABLE		
									-	-	-	-	-	-	-	-	-	25	-	-	-	29	-	-	-	-	-	-			
									31	32	-	-	-	-	37	-	39	-	-	42	-	-	-	-	-	-	-	-			
									-	-	-	-	50	51	52	-	54	-	-	-	-	-	60	-	-	88	89	-			
									61	-	63	64	-	66	-	68	-	70	71	72	73	74	75	-	-	93	94	-			
GPEC RCPT CONN 95 CKT END LVR KEY 5/52	349928009	5-BLACK	IH	PLR	LE	LA	M	R	-	-	-	4	-	-	-	-	-	-	-	-	-	-	15	-	-	-	-	-	SALEABLE		
									-	17	18	19	20	21	22	23	24	-	-	-	-	-	30	81	-	-	-	85			
									-	-	33	34	35	-	-	38	39	-	41	-	-	44	-	-	-	-	-	-			
									46	47	48	-	50	51	52	53	54	-	-	57	58	-	60	-	87	88	-	-			
									-	62	63	-	65	66	67	68	69	70	71	-	-	74	-	-	-	-	-	-			
GPEC RCPT CONN 95 CKT TOP LVR KEY N/95	349929000	NIL - GRAY	IH	PLR	LT	LA	M	R	-	-	-	-	-	-	-	-	-	-	-	-	-	-	-	-	-	-	-	-	NOT RECOMMENDED		
									-	-	-	-	-	-	-	-	-	-	-	-	-	-	-	-	-	-	-	-			
									-	-	-	-	-	-	-	-	-	-	-	-	-	-	-	-	-	-	-	-			
									-	-	-	-	-	-	-	-	-	-	-	-	-	-	-	-	-	-	-	-			
GPEC RCPT CONN 95 CKT TOP LVR KEY 5/95	349929001	5-BLACK	IH	PLR	LT	LA	M	R	-	-	-	-	-	-	-	-	-	-	-	-	-	-	-	-	-	-	-	-	SALEABLE		
									-	-	-	-	-	-	-	-	-	-	-	-	-	-	-	-	-	-	-	-			
									-	-	-	-	-	-	-	-	-	-	-	-	-	-	-	-	-	-	-	-			
									-	-	-	-	-	-	-	-	-	-	-	-	-	-	-	-	-	-	-	-			
GPEC RCPT CONN 95 CKT TOP LVR KEY 5/51	349929002	5-BLACK	IH	PLR	LT	LA	M	R	-	-	3	4	-	-	-	-	9	-	-	12	13	-	15	-	77	78	-	80	SALEABLE		
									16	17	-	19	-	21	-	23	24	-	-	-	28	29	30	-	-	-	-	85			
									-	-	-	-	-	-	-	-	-	-	-	-	-	44	-	-	-	-	-	-			
									46	47	48	-	-	51	52	53	54	-	56	-	-	59	60	86	-	-	-	-			
									61	-	-	64	-	66	67	68	69	70	71	-	73	74	75	91	-	-	-	95			
GPEC RCPT CONN 95 CKT TOP LVR KEY 5/95	349929003	5-BLACK	IH	PLR	LT	LA	M	R	-	-	-	-	-	-	-	-	-	-	-	-	-	-	-	-	-	-	-	-	SALEABLE		
									-	-	-	-	-	-	-	-	-	-	-	-	-	-	-	-	-	-	-	-			
									-	-	-	-	-	-	-	-	-	-	-	-	-	-	-	-	-	-	-	-			
									-	-	-	-	-	-	-	-	-	-	-	-	-	-	-	-	-	-	-	-			
GPEC RCPT CONN 95 CKT TOP LVR KEY 5/45	349929004	5-BLACK	IH	PLR	LT	LA	M	R	-	-	3	4	-	6	7	8	9	-	-	12	13	-	15	-	77	78	-	80	SALEABLE		
									16	17	-	19	-	21	-	23	24	-	-	-	28	29	30	-	-	-	-	85			
									-	-	-	-	-	-	-	-	-	-	-	41	42	-	44	-	-	-	-	-			-
									46	47	48	-	-	51	52	53	54	55	56	-	-	59	60	86	-	-	-	-			
									61	-	-	64	-	66	67	68	69	70	71	-	73	74	75	91	-	-	-	95			

BOM AND PIN OUT SHEET

ASSEMBLY DESCRIPTION	ASSEMBLY PART NUMBER	COMPONENT							BLOCKED TERMINALS																	STATUS	COMMENTS		
		THE PRESENCE OF AN ABBREVIATION INDICATES THE PRESENCE OF THAT COMPONENT.							CAVITY WITH A NUMBER INDICATES BLOCKED TERMINAL POSITION CAVITY WITHOUT A NUMBER INDICATES OPEN TERMINAL POSITION																				
		OUTER HOUSING KEY/COLOR	INNER HOUSING	PLR	LEVER	LEVER ARM (x/2)	MAT SEAL	RING SEAL																					
GPEC RCPT CONN 95 CKT TOP LVR KEY 5/48	349929005	5-BLACK	IH	PLR	LT	LA	M	R	-	-	3	4	-	6	7	8	9	-	-	-	-	-	15	-	77	78	-	80	
									16	17	-	19	-	21	-	23	24	-	-	-	28	29	30	-	-	-	-	85	
									-	-	-	-	-	-	-	-	-	-	41	42	-	44	-	-	-	-	-	-	
									46	47	48	-	-	51	-	53	54	55	56	-	-	59	60	86	-	-	-	-	
									61	-	-	64	-	66	67	68	69	70	71	-	73	74	75	91	-	-	-	95	
GPEC RCPT CONN 95 CKT TOP LVR KEY 5/50	349929006	5-BLACK	IH	PLR	LT	LA	M	R	-	-	-	4	5	-	-	-	-	-	-	-	-	-	-	-	-	-	-	-	
									-	-	-	19	-	21	-	23	24	25	26	27	-	-	-	81	82	-	-	-	
									31	-	-	-	-	-	37	38	39	-	41	-	43	44	-	-	-	-	-	-	
									-	-	48	49	-	-	52	-	54	55	56	-	58	59	60	-	87	88	89	-	
									61	62	63	64	65	66	67	68	-	70	71	72	73	74	75	-	92	-	-	-	
GPEC RCPT CONN 95 CKT TOP LVR KEY 5/57	349929007	5-BLACK	IH	PLR	LT	LA	M	R	-	-	-	4	5	-	-	-	-	-	-	-	-	-	-	-	-	-	-	-	
									-	-	-	-	-	21	-	23	-	25	26	27	-	-	-	-	-	-	-	-	
									31	32	-	-	-	-	37	-	39	-	-	42	43	-	-	-	-	-	-	-	
									-	-	-	49	50	51	52	53	54	-	56	-	58	59	60	-	87	88	-	-	
									61	62	63	64	65	66	67	68	-	-	-	72	73	74	75	-	92	-	-	-	
GPEC RCPT CONN 95 CKT TOP LVR KEY 5/66	349929008	5-BLACK	IH	PLR	LT	LA	M	R	-	-	-	-	-	-	-	-	-	-	-	12	-	-	-	-	-	-	-	80	
									-	-	-	19	-	-	-	-	-	-	-	27	-	-	-	-	-	-	-	85	
									-	32	-	-	-	-	-	-	-	-	-	-	43	-	-	-	-	-	-	-	
									-	-	48	49	-	51	52	-	-	55	56	-	58	59	60	-	-	-	89	-	
									61	62	63	64	-	-	67	68	69	-	-	72	73	74	75	-	-	-	94	-	
GPEC RCPT CONN 95 CKT TOP LVR KEY 5/49	349929009	5-BLACK	IH	PLR	LT	LA	M	R	-	-	-	4	5	-	-	-	-	-	-	-	-	-	-	-	-	-	-	-	
									-	-	18	19	-	21	-	23	24	25	26	27	-	-	-	81	82	-	-	-	
									31	-	-	-	-	-	37	38	39	-	41	-	43	44	-	-	-	-	-	-	
									-	-	48	49	-	-	52	-	54	55	56	-	58	59	60	-	87	88	89	-	
									61	62	63	64	65	66	67	68	-	70	71	72	73	74	75	-	92	-	-	-	
GPEC RCPT CONN 95 CKT TOP LVR KEY 5/94	349929010	5-BLACK	IH	PLR	LT	LA	M	R	-	-	-	-	-	-	-	-	-	-	-	-	-	-	-	-	-	-	-	-	
									-	-	-	-	-	-	-	-	-	-	-	-	-	-	-	-	-	-	-	-	
									-	-	-	-	-	-	-	-	-	-	-	-	-	-	-	-	-	-	-	-	
									-	-	-	-	-	-	-	-	-	-	-	-	-	-	-	-	-	-	-	-	
									-	-	-	-	-	-	-	-	-	-	-	-	-	-	75	-	-	-	-	-	
GPEC RCPT CONN 95 CKT TOP LVR KEY 5/51	349929011	5-BLACK	IH	PLR	LT	LA	M	R	-	-	-	4	5	-	-	-	-	-	-	-	-	-	-	-	-	-	-	-	
									-	-	18	19	-	21	-	23	24	25	26	27	-	-	-	81	82	-	-	-	
									31	-	-	-	-	-	37	38	39	-	41	-	43	44	-	-	-	-	-	-	
									-	-	48	49	-	-	52	-	54	55	56	-	58	59	60	-	87	88	89	-	
									61	62	63	64	65	66	67	68	-	-	-	72	73	74	75	-	92	-	-	-	
GPEC RCPT CONN 95 CKT TOP LVR KEY 5/54	349929012	5-BLACK	IH	PLR	LT	LA	M	R	-	-	-	4	5	-	-	-	-	-	-	-	-	-	-	-	-	-	-	-	
									-	-	-	-	-	21	-	23	24	-	26	27	28	-	-	81	82	-	-	-	
									31	-	-	-	-	-	37	38	39	-	-	42	43	44	-	-	-	-	-	-	
									-	-	48	49	-	-	52	-	54	55	56	-	58	59	60	-	87	88	-	-	
									61	62	63	64	65	-	67	68	-	-	-	72	73	74	75	-	92	-	94	-	
GPEC RCPT CONN 95 CKT TOP LVR KEY 5/39	349929013	5-BLACK	IH	PLR	LT	LA	M	R	-	-	3	4	-	6	7	8	9	-	-	12	13	-	15	-	77	78	79	80	
									16	17	18	19	20	21	22	23	-	25	26	-	28	29	30	-	-	-	-	85	
									-	-	-	-	-	-	-	-	38	-	40	41	42	-	44	-	-	-	-	-	-
									46	47	48	-	-	51	52	53	54	55	56	-	-	59	-	86	-	-	-	-	
									61	-	-	64	-	66	67	68	69	70	71	72	73	74	75	-	-	-	-	95	
GPEC RCPT CONN 95 CKT TOP LVR KEY 5/40	349929014	5-BLACK	IH	PLR	LT	LA	M	R	-	-	3	4	-	6	7	8	9	-	-	12	13	-	15	-	77	78	79	80	
									16	17	18	19	20	21	22	23	-	25	26	-	28	29	30	-	-	-	-	85	
									-	-	-	-	-	-	-	-	38	-	40	41	-	-	44	-	-	-	-	-	-
									46	47	48	-	-	51	52	53	54	55	56	-	-	59	-	86	-	-	-	-	
									61	-	-	64	-	66	67	68	69	70	71	72	73	74	75	-	-	-	-	95	

**BOM AND PIN OUT SHEET**

ASSEMBLY DESCRIPTION	ASSEMBLY PART NUMBER	COMPONENT							BLOCKED TERMINALS																	STATUS	COMMENTS			
		THE PRESENCE OF AN ABBREVIATION INDICATES THE PRESENCE OF THAT COMPONENT.							CAVITY WITH A NUMBER INDICATES BLOCKED TERMINAL POSITION CAVITY WITHOUT A NUMBER INDICATES OPEN TERMINAL POSITION																					
		OUTER HOUSING KEY/COLOR	INNER HOUSING	PLR	LEVER	LEVER ARM (x/2)	MAT SEAL	RING SEAL																						
GPEC RCPT CONN 95 CKT TOP LVR KEY 5/38	349929015	5-BLACK	IH	PLR	LT	LA	M	R	-	-	3	4	-	6	7	8	9	-	-	12	13	-	15	-	77	78	79	80	SALEABLE	
									16	17	18	19	20	21	22	23	-	25	26	-	28	29	30	-	-	-	-	85		
									-	-	-	-	-	-	-	38	-	40	41	42	-	44	-	-	-	-	-	-		
									46	47	48	-	-	51	52	53	54	55	56	-	-	59	-	86	-	-	-	-		
									61	-	-	64	-	66	67	68	69	70	71	72	73	74	75	91	-	-	-	95		
GPEC RCPT CONN 95 CKT TOP LVR KEY 5/60	349929016	5-BLACK	IH	PLR	LT	LA	M	R	-	-	-	4	-	-	-	-	-	10	-	-	-	-	-	-	-	-	-	-	SALEABLE	
									-	-	-	-	-	-	-	23	-	-	-	27	-	-	-	-	-	-	-	-		
									-	32	-	-	-	-	37	-	-	-	-	-	43	44	45	-	-	-	-	-		
									-	-	48	49	-	51	52	-	-	55	56	-	58	59	60	-	87	88	89	-		
									61	62	63	64	65	-	67	68	-	-	-	72	73	74	75	-	92	93	94	-		
GPEC RCPT CONN 95 CKT TOP LVR KEY 5/58	349929017	5-BLACK	IH	PLR	LT	LA	M	R	-	-	-	4	-	-	-	-	-	10	-	-	-	-	-	-	-	-	-	-	SALEABLE	
									-	-	-	-	-	-	-	23	-	-	-	27	-	-	-	-	-	-	-	-		
									-	32	-	-	-	-	37	-	-	-	-	-	43	44	45	-	-	-	-	-		
									-	-	48	49	-	51	52	-	-	55	56	-	58	59	60	-	87	88	89	-		
									61	62	63	64	65	-	67	68	-	-	-	72	73	74	75	-	92	93	94	-		
GPEC RCPT CONN 95 CKT TOP LVR KEY 5/49	349929018	5-BLACK	IH	PLR	LT	LA	M	R	-	-	-	4	-	6	-	-	-	-	-	-	-	-	15	-	-	-	-	-	SALEABLE	
									16	17	18	19	20	21	-	23	24	-	-	27	-	-	30	81	-	-	-	85		
									-	32	33	34	35	-	-	38	39	-	41	-	43	44	-	-	-	-	-	-		
									46	47	48	-	50	51	52	53	54	-	-	57	58	-	-	86	87	88	-	-		
									-	62	-	64	65	66	-	68	-	70	71	-	-	-	75	91	-	-	-	-		
GPEC RCPT CONN 95 CKT TOP LVR KEY 5/40	349929019	5-BLACK	IH	PLR	LT	LA	M	R	-	-	-	4	-	-	-	8	-	-	-	13	14	15	-	77	-	79	-	SALEABLE		
									-	17	18	19	20	21	-	23	24	-	26	27	-	-	30	81	-	83	84			-
									-	-	33	34	35	-	37	38	39	-	41	42	-	44	-	-	-	-	-			-
									46	47	48	49	50	51	52	53	54	-	-	57	58	-	60	86	87	88	-			90
									61	62	63	64	-	66	67	68	-	-	-	72	-	74	-	91	-	-	-			-
GPEC RCPT CONN 95 CKT TOP LVR KEY 5/58	349929020	5-BLACK	IH	PLR	LT	LA	M	R	-	2	3	4	-	-	-	8	-	-	-	12	13	-	-	-	-	-	-	-	SALEABLE	
									16	17	18	19	-	-	22	23	-	25	26	-	28	29	-	-	-	-	-	-		
									-	-	-	-	-	36	-	-	-	40	-	42	-	-	-	-	-	-	-	-		
									-	47	48	-	-	51	52	53	54	-	-	-	-	-	-	-	-	-	-	-		
									61	-	63	64	65	66	67	68	69	70	-	72	73	74	-	-	-	-	-	-		
GPEC RCPT CONN 95 CKT TOP LVR KEY 5/51	349929021	5-BLACK	IH	PLR	LT	LA	M	R	-	2	3	4	-	-	-	8	-	-	-	12	13	-	15	-	77	78	79	80	SALEABLE	
									16	17	18	19	-	-	22	23	-	25	26	-	28	29	30	-	-	-	-	-		
									-	-	-	-	-	36	-	-	-	40	-	42	-	-	-	-	-	-	-	-		
									-	47	48	-	-	51	52	53	54	-	-	-	-	-	-	-	-	-	-	-		
									61	-	63	64	65	66	67	68	69	70	-	72	73	74	-	91	-	-	-	-		
GPEC RCPT CONN 95 CKT TOP LVR KEY 5/36	349929022	5-BLACK	IH	PLR	LT	LA	M	R	-	-	3	4	-	6	7	8	9	-	-	12	13	-	15	-	77	78	79	80	SALEABLE	
									16	17	18	19	20	21	22	23	24	25	26	-	28	29	30	-	-	-	-	85		
									-	-	-	-	-	-	-	38	-	40	41	42	-	44	-	-	-	-	-	-		
									46	47	48	-	-	51	52	53	54	55	56	-	-	59	60	86	-	-	-	-		
									61	-	-	64	-	66	67	68	69	70	71	72	73	74	75	91	-	-	-	95		
GPEC RCPT CONN 95 CKT TOP LVR KEY 5/63	349929023	5-BLACK	IH	PLR	LT	LA	M	R	-	-	-	4	-	-	-	-	-	-	-	-	-	-	-	-	-	-	-	SALEABLE		
									-	-	-	-	-	21	-	-	-	25	26	27	-	29	-	81	82	-	-			-
									31	32	-	-	-	-	37	-	-	-	-	42	-	-	-	-	-	-	-			-
									-	-	-	49	-	51	52	-	-	-	-	-	58	-	60	-	-	88	89			-
									61	-	63	64	-	66	67	68	-	70	71	-	73	74	75	-	-	93	94			-
GPEC RCPT CONN 95 CKT TOP LVR KEY 5/28	349929024	5-BLACK	IH	PLR	LT	LA	M	R	1	-	-	4	5	-	-	8	-	10	-	-	-	-	-	76	77	78	79	80	SALEABLE	
									-	17	-	19	-	21	-	23	24	-	-	27	28	-	-	81	82	83	84	85		
									-	32	33	-	35	36	37	-	-	-	41	42	43	44	45	-	-	-	-	-		
									-	-	48	49	50	51	52	53	54	55	56	-	58	59	60	-	87	88	89	90		
									61	62	63	64	65	66	67	68	69	70	71	72	73	74	75	-	92	93	94	95		

**BOM AND PIN OUT SHEET**

ASSEMBLY DESCRIPTION	ASSEMBLY PART NUMBER	COMPONENT							BLOCKED TERMINALS																	STATUS	COMMENTS				
		THE PRESENCE OF AN ABBREVIATION INDICATES THE PRESENCE OF THAT COMPONENT.							CAVITY WITH A NUMBER INDICATES BLOCKED TERMINAL POSITION CAVITY WITHOUT A NUMBER INDICATES OPEN TERMINAL POSITION																						
		OUTER HOUSING KEY/COLOR	INNER HOUSING	PLR	LEVER	LEVER ARM (x/2)	MAT SEAL	RING SEAL																							
GPEC RCPT CONN 95 CKT TOP LVR KEY 5/39	349929025	5-BLACK	IH	PLR	LT	LA	M	R	-	-	3	4	-	6	7	8	9	-	-	12	13	-	15	-	77	78	79	80	SALEABLE		
									16	17	18	19	20	21	22	23	-	25	26	-	28	29	30	-	-	-	-	85			
									-	-	-	-	-	-	-	38	-	40	41	-	-	44	-	-	-	-	-	-			
									46	47	48	-	-	51	52	53	54	55	56	-	-	59	-	86	-	-	-	-			
									61	-	-	64	-	66	67	68	69	70	71	72	73	74	75	91	-	-	-	95			
GPEC RCPT CONN 95 CKT TOP LVR KEY 5/51	349929026	5-BLACK	IH	PLR	LT	LA	M	R	-	-	-	4	5	-	-	-	-	-	-	-	-	-	-	-	-	-	-	-	SALEABLE		
									-	-	18	19	-	21	-	23	24	25	26	27	-	-	-	81	82	-	-	-			
									-	-	-	-	-	-	-	37	38	39	-	41	-	43	44	-	-	-	-	-			-
									-	-	48	49	-	-	52	-	54	55	56	-	58	59	60	-	87	88	-	-			
									61	62	63	64	65	66	67	68	-	70	71	72	73	74	75	-	92	-	-	-			
GPEC RCPT CONN 95 CKT TOP LVR KEY 5/30	349929027	5-BLACK	IH	PLR	LT	LA	M	R	1	-	-	4	5	-	-	8	-	10	-	-	-	-	-	76	77	78	79	80	SALEABLE		
									-	17	-	19	-	21	-	23	24	-	-	27	28	-	-	81	82	83	84	85			
									-	32	33	-	35	36	37	-	-	-	41	42	43	44	45	-	-	-	-	-			
									-	-	48	49	50	51	52	53	54	55	56	-	58	59	60	-	87	88	89	90			
									61	62	63	64	65	66	67	68	69	-	-	72	73	74	75	-	92	93	94	95			
GPEC RCPT CONN 95 CKT TOP LVR KEY 5/0	349929028	5-BLACK	IH	PLR	LT	LA	M	R	1	2	3	4	5	6	7	8	9	10	11	12	13	14	15	76	77	78	79	80	SALEABLE		
									16	17	18	19	20	21	22	23	24	25	26	27	28	29	30	81	82	83	84	85			
									31	32	33	34	35	36	37	38	39	40	41	42	43	44	45	-	-	-	-	-			
									46	47	48	49	50	51	52	53	54	55	56	57	58	59	60	86	87	88	89	90			
									61	62	63	64	65	66	67	68	69	70	71	72	73	74	75	91	92	93	94	95			
GPEC RCPT CONN 95 CKT TOP LVR KEY 5/53	349929029	5-BLACK	IH	PLR	LT	LA	M	R	-	-	-	4	5	-	-	-	-	-	-	-	-	-	-	-	-	-	-	SALEABLE			
									-	-	-	19	-	21	-	23	-	25	26	27	-	-	-	81	82	-	-			-	
									-	-	-	-	-	-	37	38	39	-	41	-	43	44	-	-	-	-	-			-	
									-	-	48	49	-	-	52	-	54	55	56	-	58	59	60	-	87	88	-			-	
									61	62	63	64	65	66	67	68	-	70	71	72	73	74	75	-	92	-	-			-	
GPEC RCPT CONN 95 CKT TOP LVR KEY 5/71	349929030	5-BLACK	IH	PLR	LT	LA	M	R	-	-	-	4	-	-	-	-	-	-	-	-	-	-	-	-	-	-	-	SALEABLE			
									-	-	-	-	-	-	-	-	-	25	-	-	-	29	-	-	-	-	-			-	
									31	32	-	-	-	-	37	-	-	-	-	42	-	-	-	-	-	-	-			-	
									-	-	-	-	-	51	52	-	-	-	-	-	-	-	60	-	-	88	89			-	
									61	-	63	64	-	66	-	68	-	70	71	-	73	74	75	-	-	93	94			-	
GPEC RCPT CONN 95 CKT TOP LVR KEY 5/72	349929031	5-BLACK	IH	PLR	LT	LA	M	R	-	-	-	4	-	-	-	-	-	-	-	-	-	-	-	-	-	-	-	SALEABLE			
									-	-	-	-	-	-	-	-	-	25	-	-	-	29	-	-	-	-	-			-	
									31	32	-	-	-	-	37	-	-	-	-	-	-	-	-	-	-	-	-			-	
									-	-	-	-	-	51	52	-	-	-	-	-	-	-	60	-	-	88	89			-	
									61	-	63	64	-	66	-	68	-	70	71	-	73	74	75	-	-	93	94			-	
GPEC RCPT CONN 95 CKT TOP LVR KEY 5/52	349929032	5-BLACK	IH	PLR	LT	LA	M	R	-	-	-	-	-	6	-	-	-	-	-	-	-	-	-	-	-	-	-	SALEABLE			
									-	17	-	-	-	21	-	-	-	-	-	27	28	29	30	-	82	-	-			85	
									31	32	33	34	-	36	-	-	-	40	-	42	-	-	45	-	-	-	-			-	
									-	47	48	-	-	51	52	53	-	-	-	-	58	59	-	86	87	88	89			90	
									61	-	63	64	-	-	67	68	69	70	71	-	73	74	75	91	-	93	94			-	
GPEC RCPT CONN 95 CKT TOP LVR KEY 5/53	349929033	5-BLACK	IH	PLR	LT	LA	M	R	-	-	-	-	-	6	-	-	-	-	-	-	-	-	-	-	-	-	-	SALEABLE			
									-	17	-	-	-	21	-	-	-	-	-	27	28	29	30	-	82	-	-			85	
									31	32	33	34	-	36	-	-	-	40	-	42	-	-	45	-	-	-	-			-	
									-	47	48	-	-	51	52	53	-	-	-	-	58	59	-	86	87	88	-			90	
									61	-	63	64	-	-	67	68	69	70	71	-	73	74	75	91	-	93	94			-	
GPEC RCPT CONN 95 CKT TOP LVR KEY 5/68	349929034	5-BLACK	IH	PLR	LT	LA	M	R	-	-	-	-	-	-	-	-	-	-	-	-	-	-	-	-	-	-	-	SALEABLE			
									-	-	-	-	-	-	-	23	-	25	26	-	-	-	-	-	-	-	-			-	
									31	-	-	-	-	-	-	-	-	-	-	-	43	-	-	-	-	-	-			-	
									-	-	-	49	-	-	52	-	54	-	56	-	58	59	60	-	87	88	-			-	
									61	62	63	64	65	66	67	68	-	-	-	72	73	74	75	-	92	-	-			-	

BOM AND PIN OUT SHEET

ASSEMBLY DESCRIPTION	ASSEMBLY PART NUMBER	COMPONENT							BLOCKED TERMINALS															STATUS	COMMENTS				
		THE PRESENCE OF AN ABBREVIATION INDICATES THE PRESENCE OF THAT COMPONENT.							CAVITY WITH A NUMBER INDICATES BLOCKED TERMINAL POSITION CAVITY WITHOUT A NUMBER INDICATES OPEN TERMINAL POSITION																				
		OUTER HOUSING KEY/COLOR	INNER HOUSING	PLR	LEVER	LEVER ARM (x/2)	MAT SEAL	RING SEAL	1	-	-	4	5	-	-	8	-	10	-	-	-	-	-			76	77	78	79
GPEC RCPT CONN 95 CKT TOP LVR KEY 5/29	349929035	5-BLACK	IH	PLR	LT	LA	M	R	-	17	-	19	-	21	-	23	24	-	-	27	28	-	-	-	81	82	83	84	85
									-	32	33	-	35	36	37	-	-	41	42	43	44	45	-	-	-	-	-	-	-
									-	-	48	49	50	51	52	53	54	55	56	-	58	-	60	-	87	88	89	90	-
									61	62	63	64	65	66	67	68	69	70	71	72	73	74	75	-	92	93	94	95	-