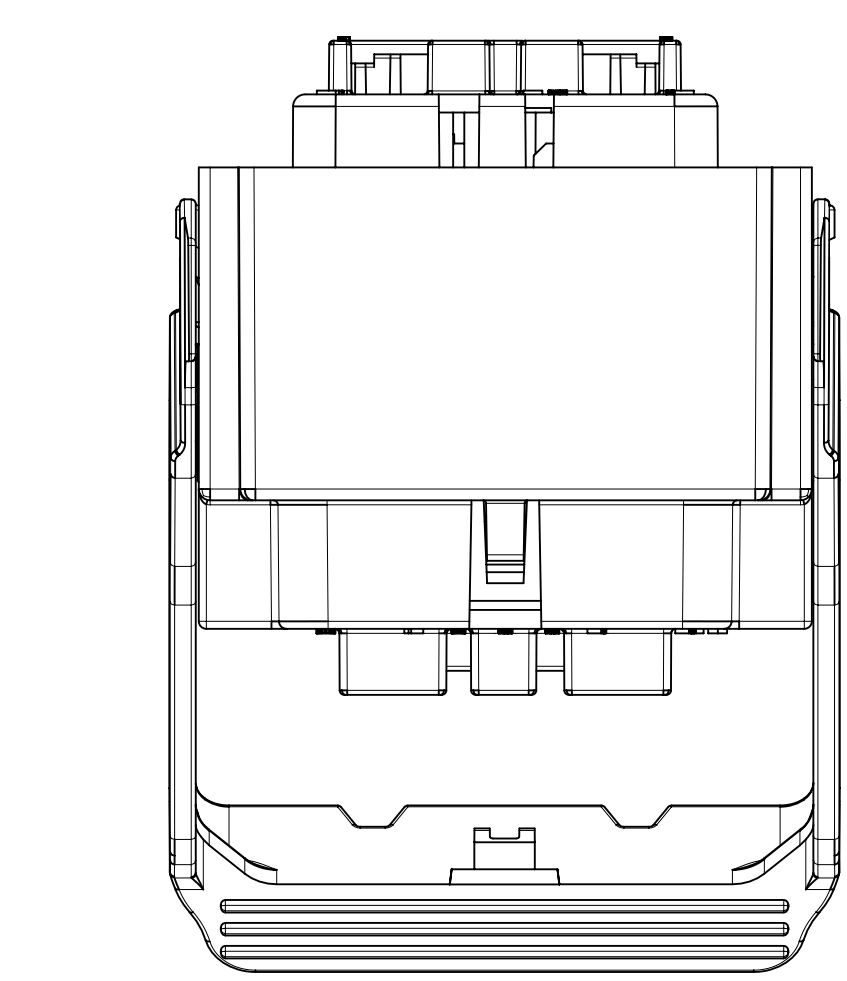
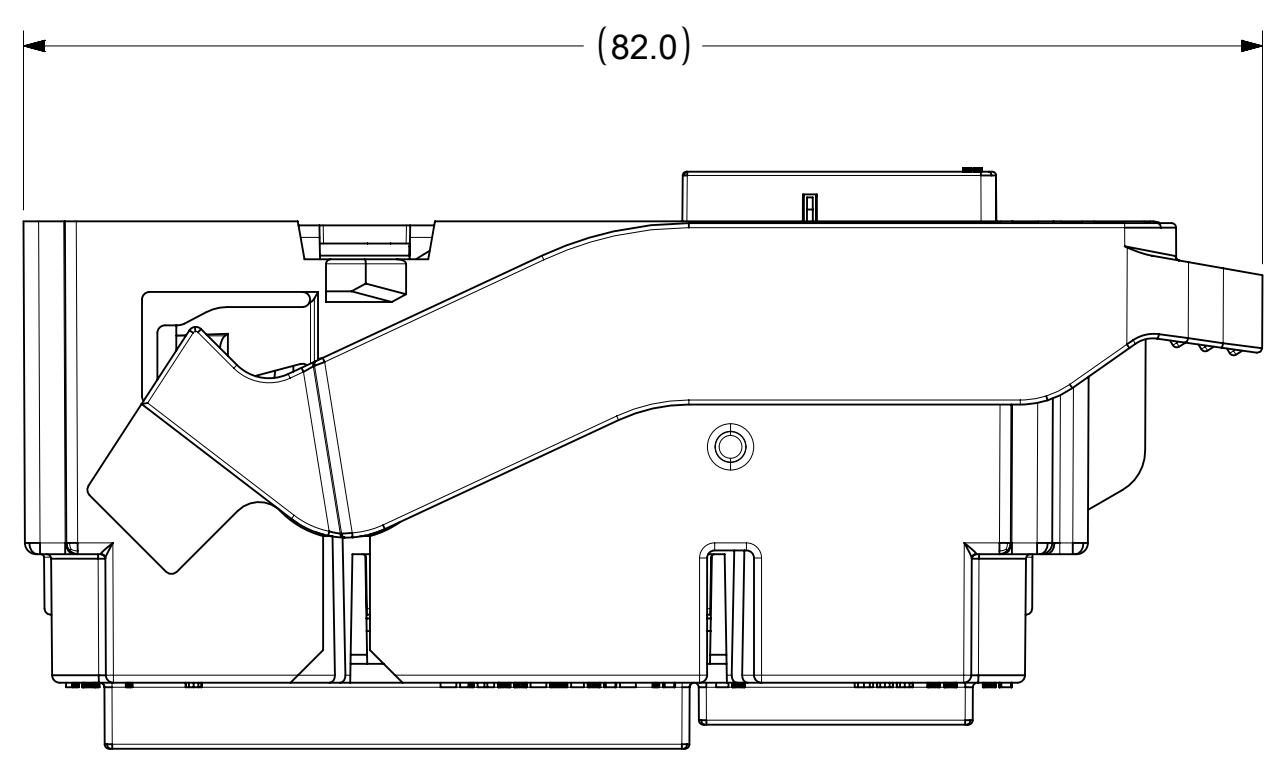
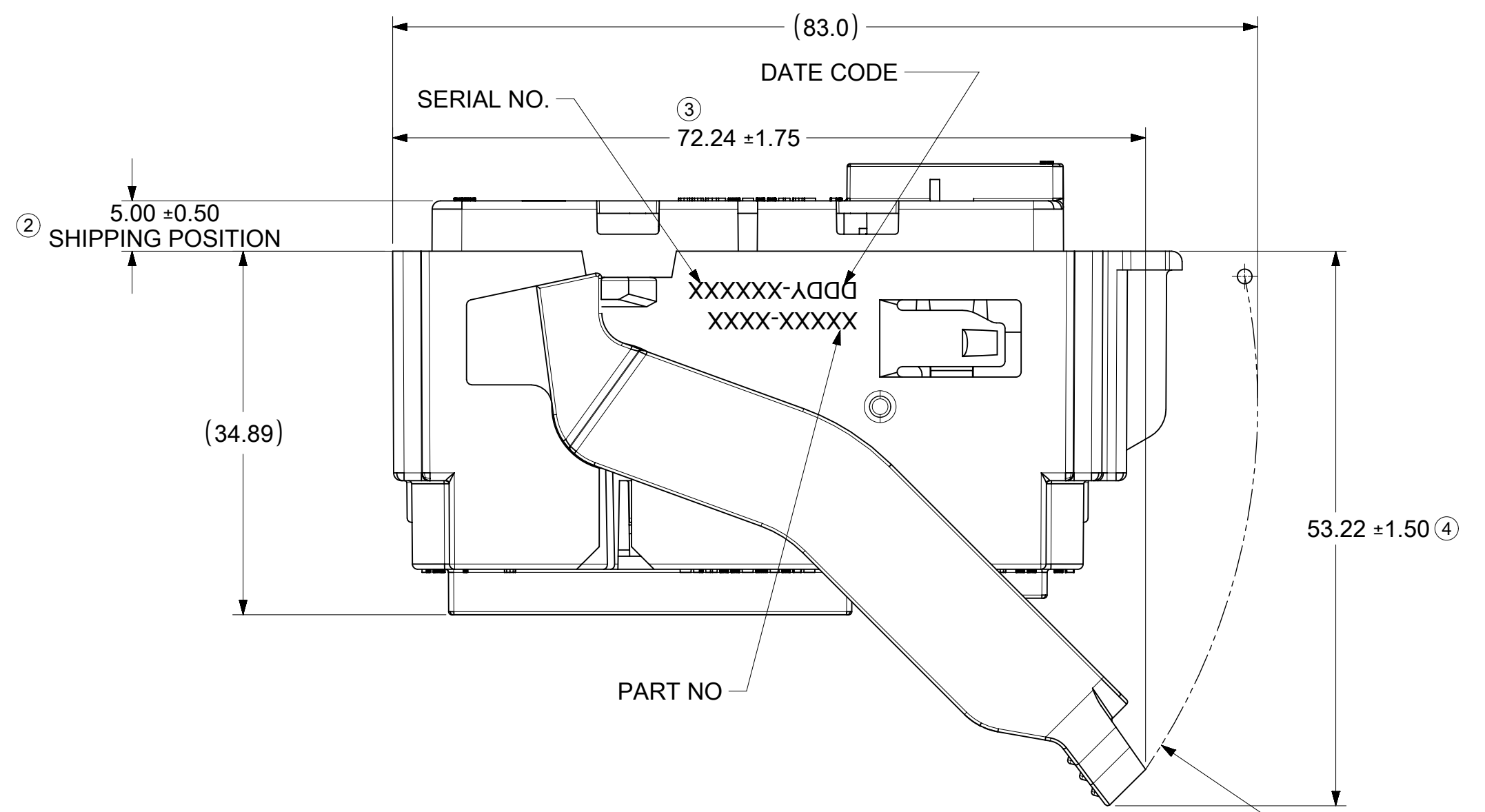


BILL OF MATERIAL									
QTY.	ITEMS	SUPPLIER PART NUMBER	DESCRIPTION	COLOR	RECYCLING CODE	WEIGHT (EST)			
	1	347450501	OUTER SHROUD HOUSING KEYING OPTION "1"	BLACK	>PA66-GF35<	26.24g			
	1	347450502	OUTER SHROUD HOUSING KEYING OPTION "2"	BLACK	>PA66-GF35<	26.24g			
	1	347450503	OUTER SHROUD HOUSING KEYING OPTION "3"	BLACK	>PA66-GF35<	26.24g			
	1	347450504	OUTER SHROUD HOUSING KEYING OPTION "4"	BLACK	>PA66-GF35<	26.24g			
1	1	347450505	OUTER SHROUD HOUSING KEYING OPTION "5"	BLACK	>PA66-GF35<	26.24g			
1	1	347450300	CAVITY SECTION HOUSING	BLACK	>PA66-GF35<	19.88g			
1	1	349920401	TPA	NATURAL	>PA66-GF35<	7.77g			
1	1	347450801	MATE ASSIST LEVER END LATCH	GRAY	>PA66-GF35<	6.54g			
1	1	347450802	MATE ASSIST LEVER TOP LATCH	GRAY	>PA66-GF35<	6.10g			
1	1	347450600	GROMMET SEAL	GREEN	NA	5.94g			
1	1	347450700	INTERFACIAL SEAL	GREEN	NA	1.47g			
2	2	347450805	LEVER ARM	GRAY	>PA66-GF35<	0.55g			
349929001									
349928001									
349927001									
349926001									
349925001									
349924001									
349923001									
349922001									
349921001									
349920001									
			MOLEX ASSY PART NUMBER						
			ALL CAVITY PLUGS REMOVED						

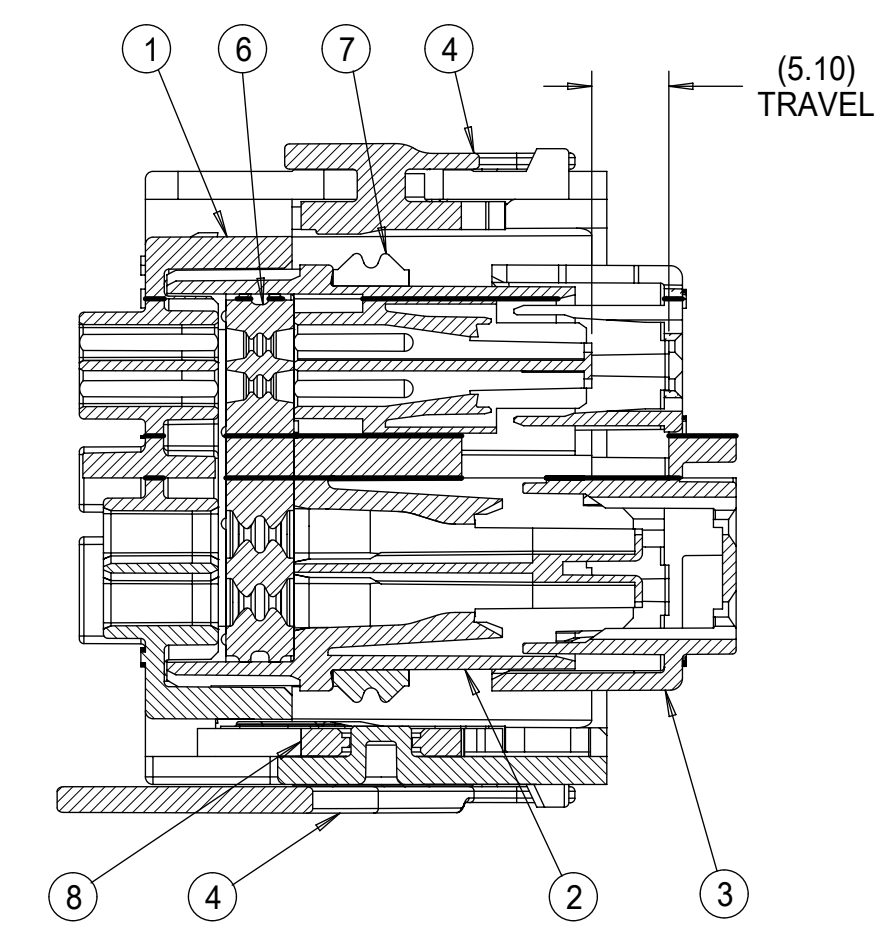
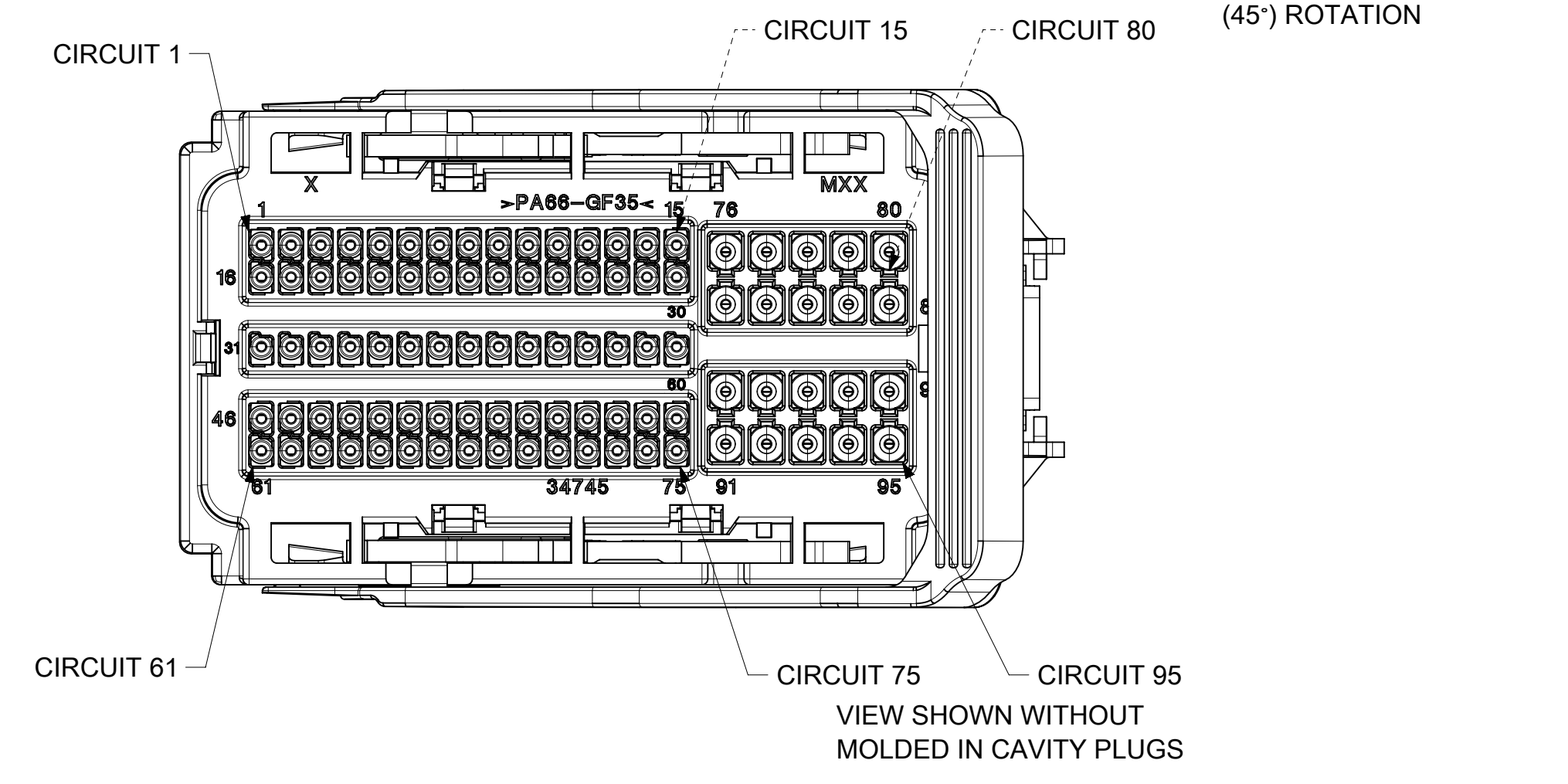


TPA SHOWN IN OPEN POSITION AND LEVER IN PRE-MATE POSITION

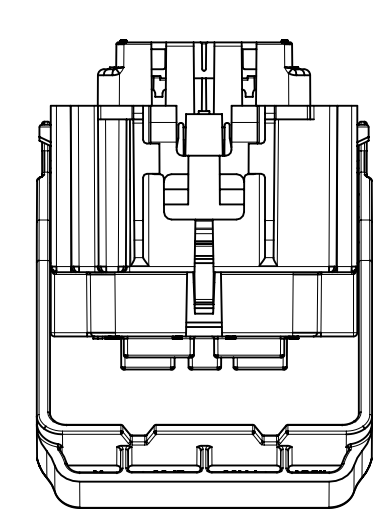
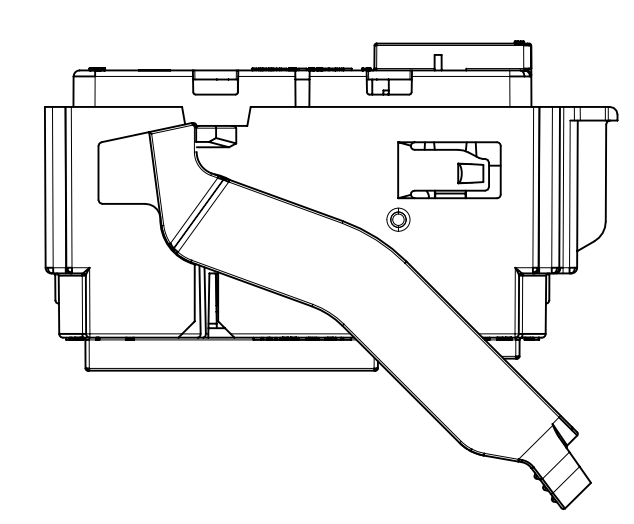
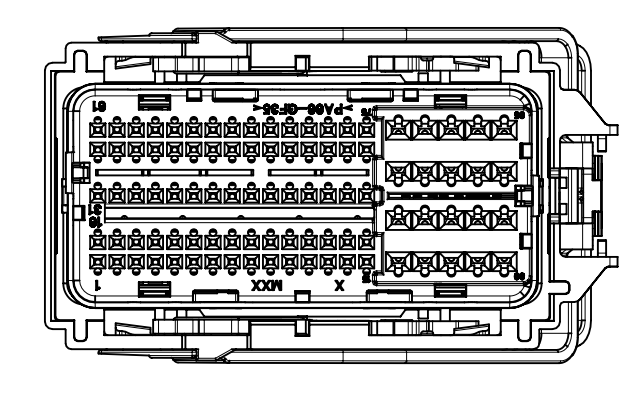
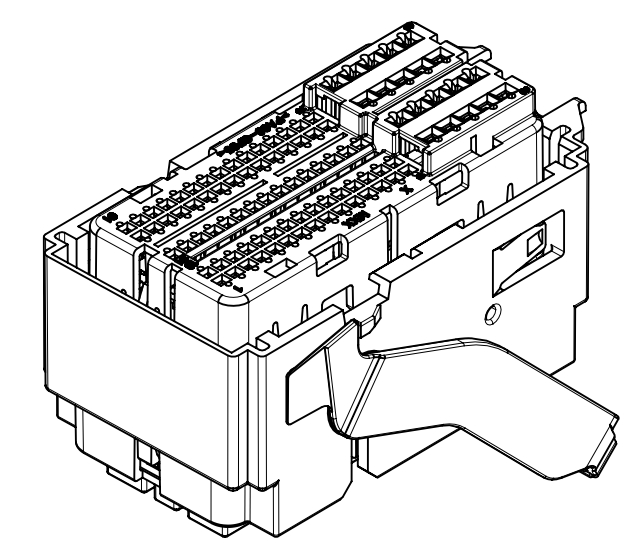


TPA SHOWN IN CLOSED POSITION AND LEVER IN MATE POSITION

AROUND-THE-END LEVER OPTION P/N 34992-0001, KEY 1

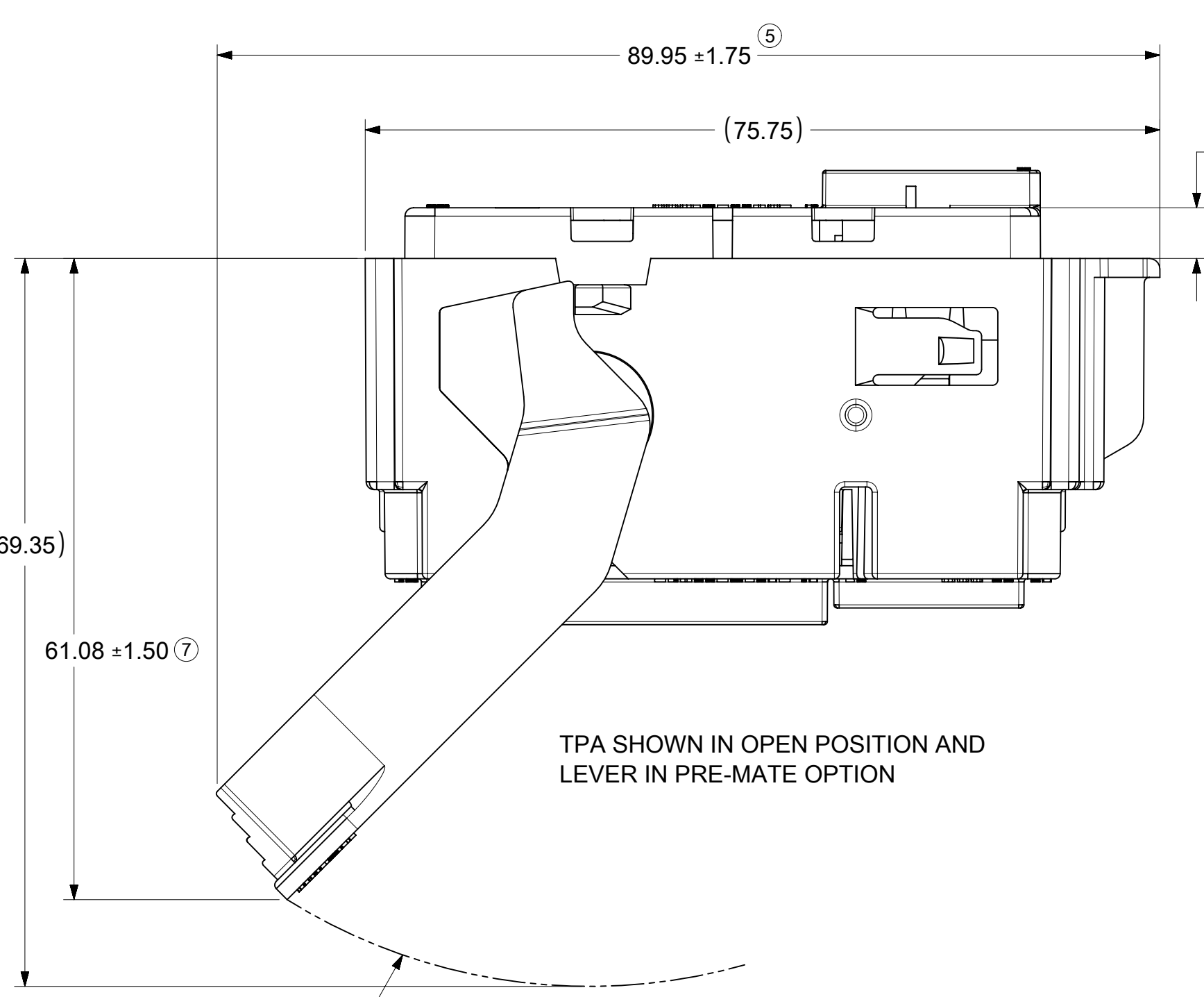


Section Y-Y

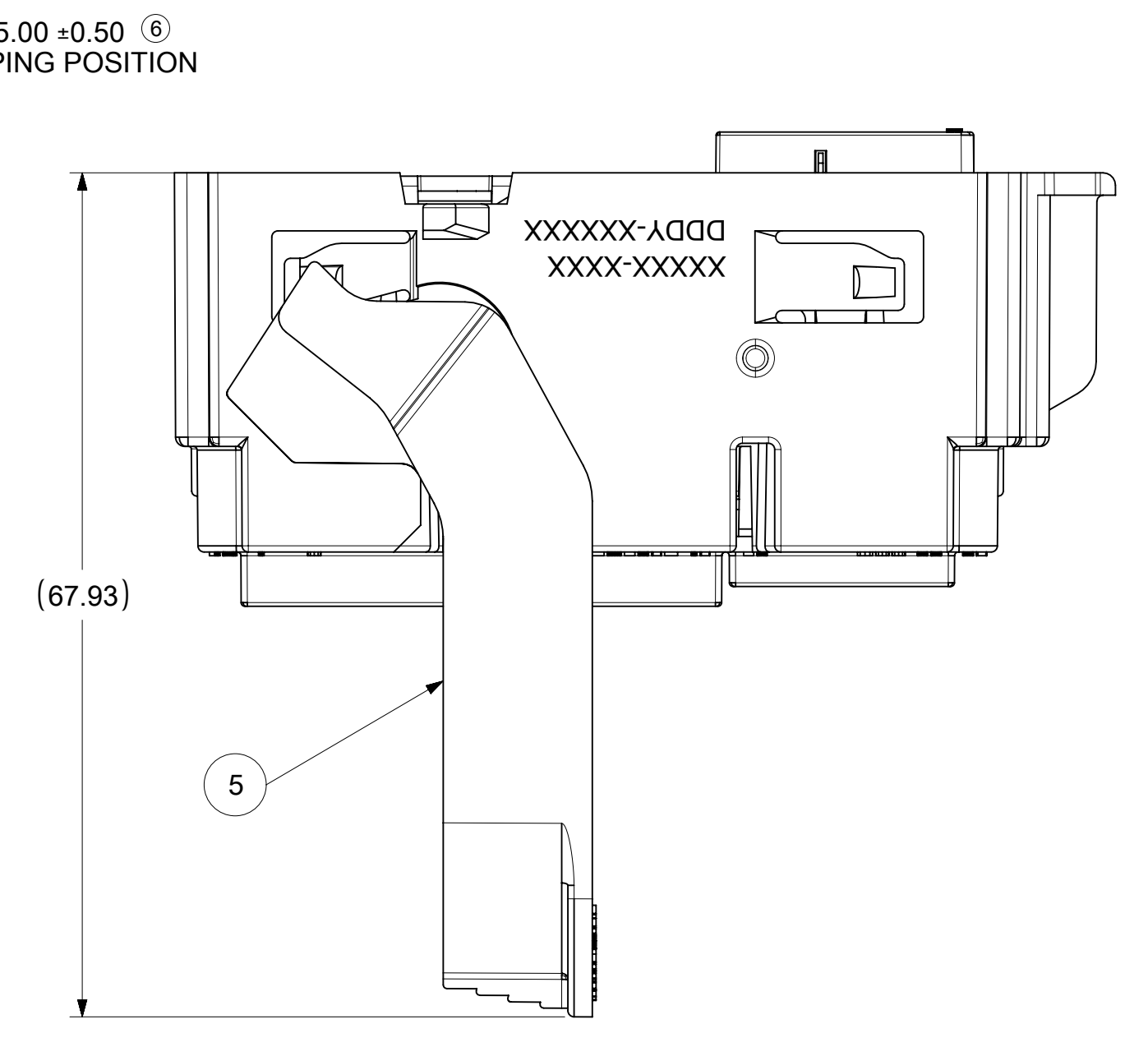


FULL SIZE VIEWS

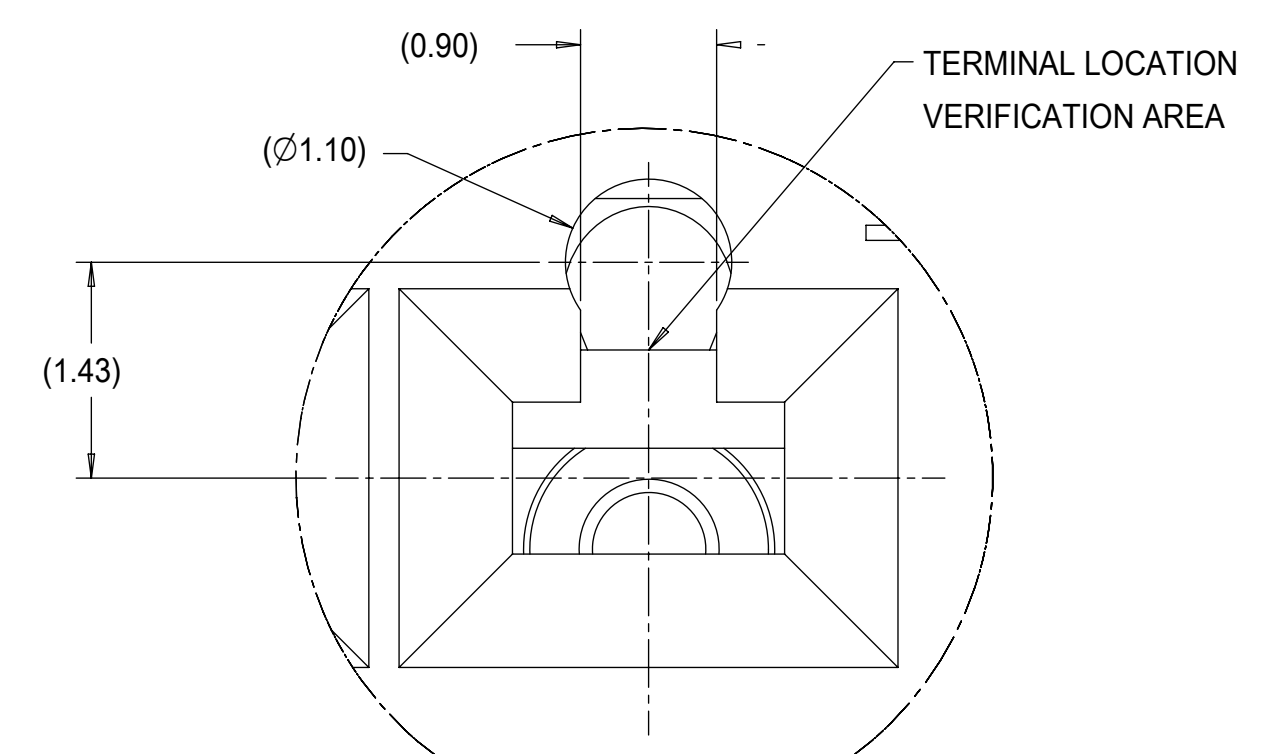
- NOTES: UNLESS OTHERWISE SPECIFIED
- PART MUST CONFORM TO USCAR/SAE-2 REV 5 DATED NOV2007. EXCEPTIONS: NONE
 - THE OPERATING ENVIRONMENT CRITERIA FOR THIS CONNECTOR SYSTEM IS USCAR TEMPERATURE CLASS 3, SEALING CLASS S3 AND VIBRATION CLASS V1.
 - ASSEMBLIES WILL ONLY PASS THE HIGH PRESSURE SPRAY REQUIREMENT WITH A WIRE DRESS COVER ATTACHED
 - MAXIMUM LEVER ENGAGEMENT FORCE POPULATED WITH TERMINALS IS NOT TO EXCEED 75N.
 - TERMINAL TPA/PLR IS SHIPPED TO HARNESS MANUFACTURER IN PRE-LOAD POSITION AS SHOWN.
 - ALL PLASTIC PARTS MUST HAVE MATERIAL IDENTIFICATION SYMBOLS CLEARLY MARKED, WHEREVER PACKAGE SIZE PERMITS.
 - ENGINEERING APPROVAL REQUIRED FOR ALL SOURCING AND TOOLING OF THIS PART.
 - FOR ENGINEERING APPROVED SOURCE SEE ENGINEERING RELEASE.
 - ENGINEERING APPROVAL OF SAMPLE FROM SUPPLIER IS REQUIRED PRIOR TO AUTHORIZATION OF PART PRODUCTION.
 - CHANGES IN DESIGN COMPOSITION OR PROCESSING OF THE PART PREVIOUSLY APPROVED FOR PART PRODUCTION REQUIRES PRIOR ENGINEERING APPROVAL.
 - GENERAL TOLERANCE: LINEAR DIMENSION: ±0.10 ANGULAR DIMENSION: ±3°
 - 0.3 MAXIMUM RADIUS PERMISSIBLE ON EDGES AND FILLETS SHOWN AS SHARP FOR PLASTIC PARTS.
 - PARTS ARE TO BE FREE OF SCRATCHES, DISCOLORATION, SALT RESIDUE, OR OTHER IMPERFECTIONS THAT MAY AFFECT FUNCTION OR FIT OF PART.
 - 25% MAXIMUM REGRIND ALLOWABLE.
 - SEE MOLEX APPLICATION SPEC AS-34992-001 FOR CONNECTOR SERVICE & USAGE INSTRUCTIONS.
 - OPTIONAL WIREDRESS COVERS FOR THE AROUND-THE-END LEVER OPTION: ARE SHIPPED SEPARATELY.
 - WIREDRESS COVER FOR THE OVER-THE-TOP LEVER OPTION IS SHIPPED SEPARATELY.
 - OPTIONAL 0.64 LOOSE PIECE PLUG, 34676-0002 IS SHIPPED SEPARATELY.
 - OPTIONAL 1.5 LOOSE PIECE PLUG, 34345-4001, IS SHIPPED SEPARATELY.
 - MOLEX MX150 TERMINAL REMOVAL TOOL P/N 63813-1500.
 - MOLEX 0.64 TERMINAL REMOVAL TOOL P/N 63813-3501.
 - TPA/PLR MUST BE REMOVED TO SERVICE THE 0.64 TERMINALS.
 - TPA SEATING TOOL P/N 346760200 / 346760201 SEE SHEET 2 FOR ADDITIONAL INFORMATION
 - FOR PINOUT AND DRESS COVER CONFIGURATION CHART SEE DOCUMENT: 349920002-SD



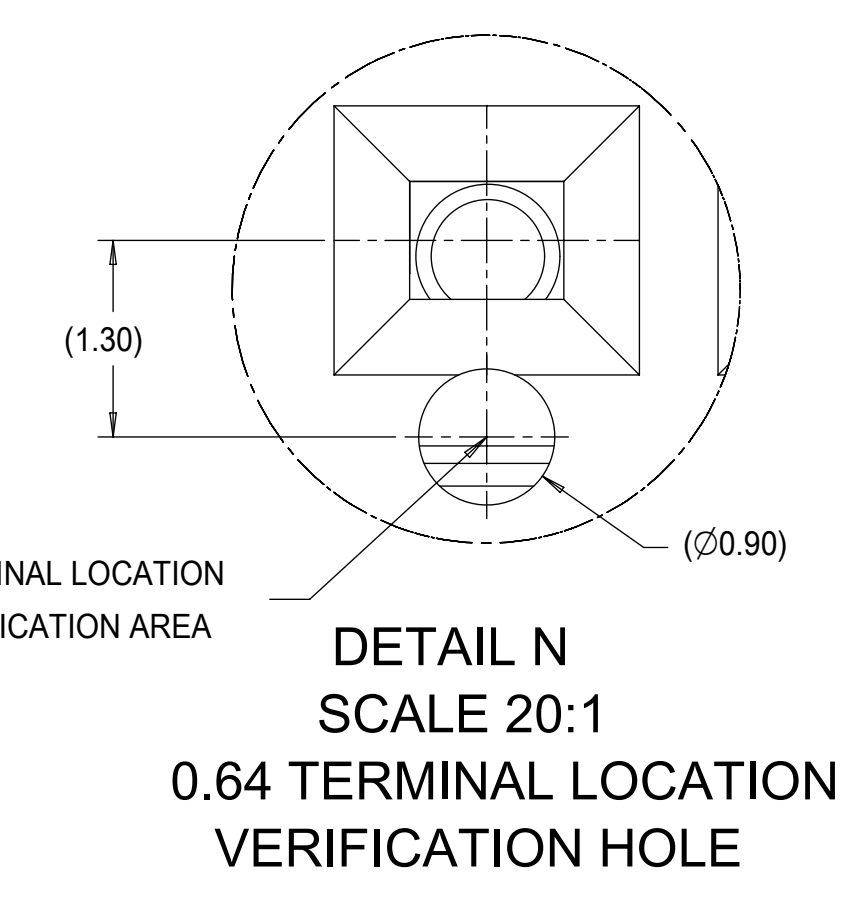
TPA SHOWN IN OPEN POSITION AND LEVER IN PRE-MATE POSITION



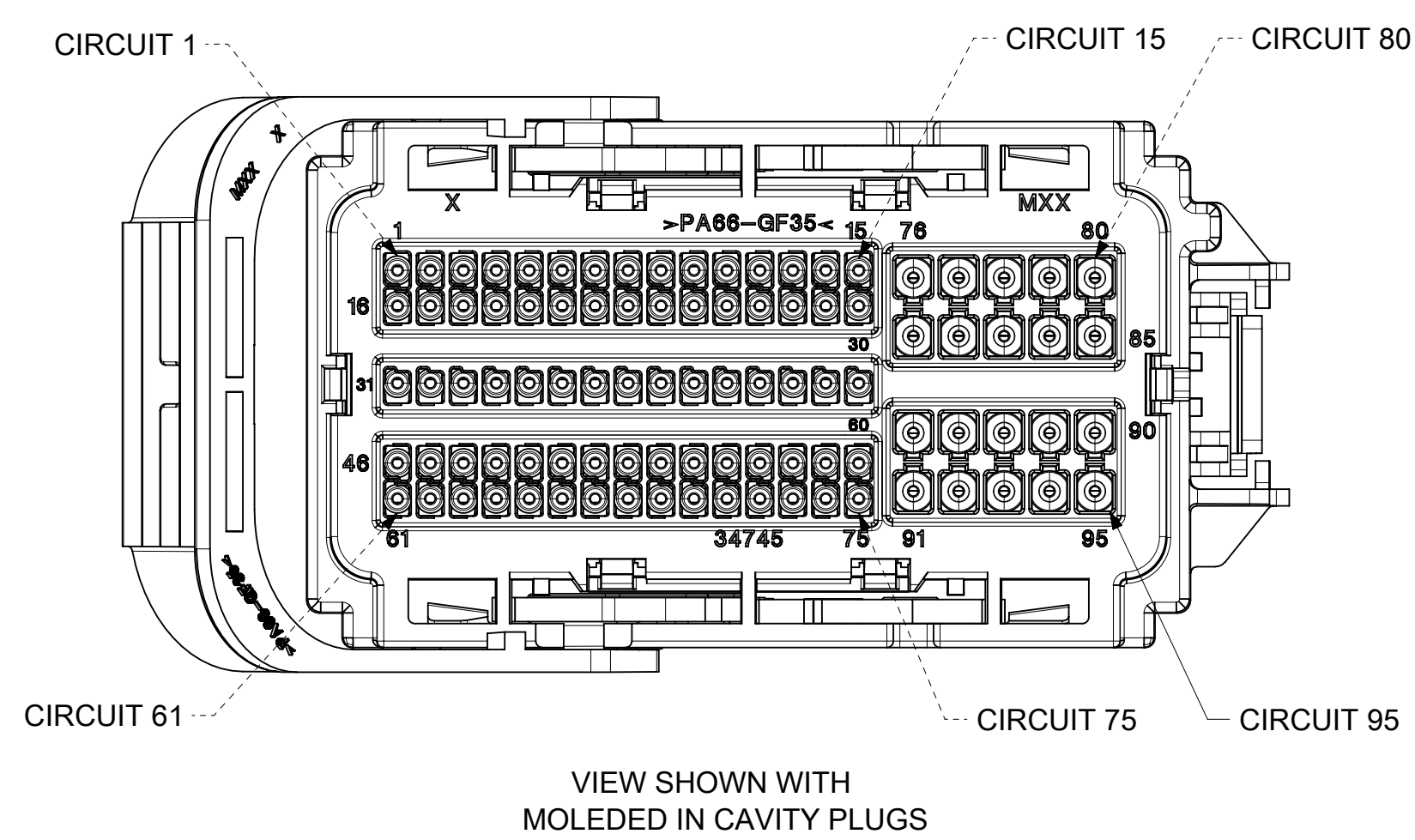
TPA SHOWN IN CLOSED POSITION AND LEVER IN MATE POSITION LOCKING FEATURES DESIGNED INTO WIRE DRESS COVER FOR THIS LEVER



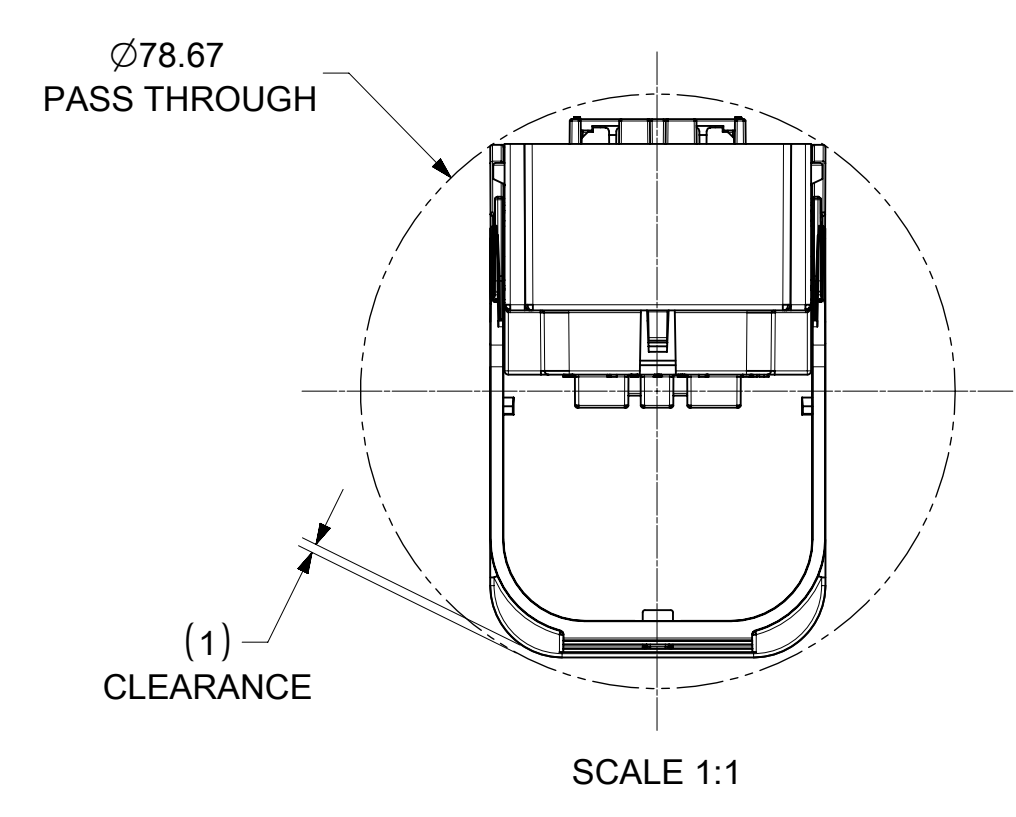
DETAIL M SCALE 20:1 1.5 TERMINAL LOCATION VERIFICATION HOLE



DETAIL N SCALE 20:1 0.64 TERMINAL LOCATION VERIFICATION HOLE



VIEW SHOWN WITH MOLEDED IN CAVITY PLUGS



SCALE 1:1

OVER-THE-TOP LEVER OPTION P/N 34992-1001, KEY 1

SYMBOLS		THIS DRAWING CONTAINS INFORMATION THAT IS PROPRIETARY TO MOLEX ELECTRONIC TECHNOLOGIES, LLC AND SHOULD NOT BE USED WITHOUT WRITTEN PERMISSION	
▽ = 0	0	DIMENSION UNITS	SCALE
▽ = 0	0	mm	2:1
▽ = 0	0	GENERAL TOLERANCES (UNLESS SPECIFIED)	
▽ = 0	0	ANGULAR TOL ±	
▽ = 0	0	4 PLACES ±	
▽ = 0	0	3 PLACES ±	
▽ = 0	0	2 PLACES ±	
▽ = 0	0	1 PLACE ±	
▽ = 0	0	0 PLACES ±	
■ = 0	0	DRAFT WHERE APPLICABLE MUST REMAIN WITHIN DIMENSIONS	
▽ = 0	0	THIRD ANGLE PROJECTION	
CURRENT REV DESC: NOTE AND TABLE UPDATED		EC NO: 677806	
		DRWN: NBOHIDAR 2021/09/15	
		CHK'D: BDICK01 2021/09/28	
		APPR: BDICK01 2021/09/28	
		INITIAL REVISION:	
		DRWN: NBOHIDAR 2018/09/01	
		APPR: APROFFITT 2018/09/07	
		SERIES	
		E-SIZE 34992	
		MATERIAL NUMBER	
		CHARTED	
		CUSTOMER	
		GENERAL MARKET	
		SHEET NUMBER	
		1 OF 3	

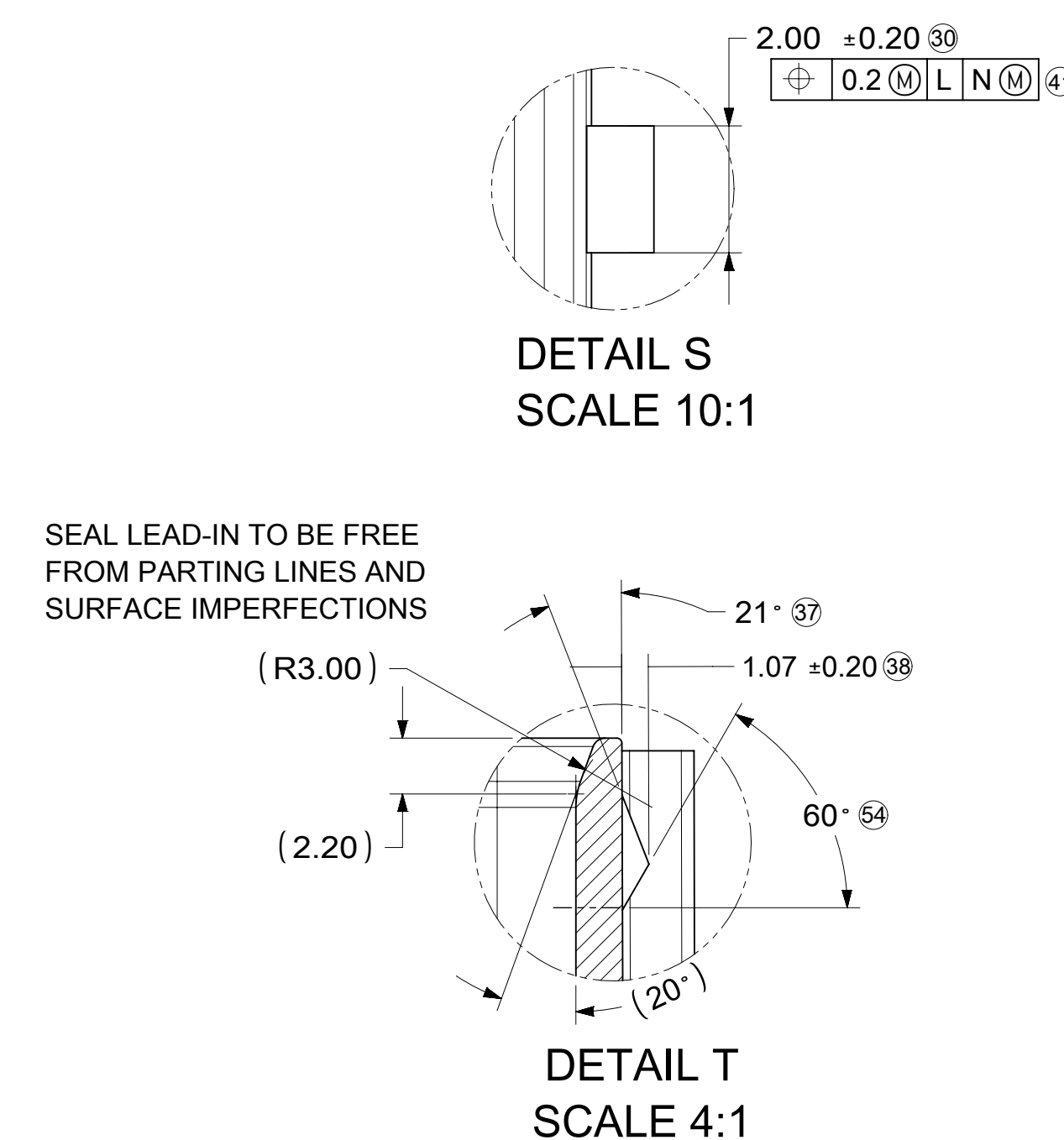
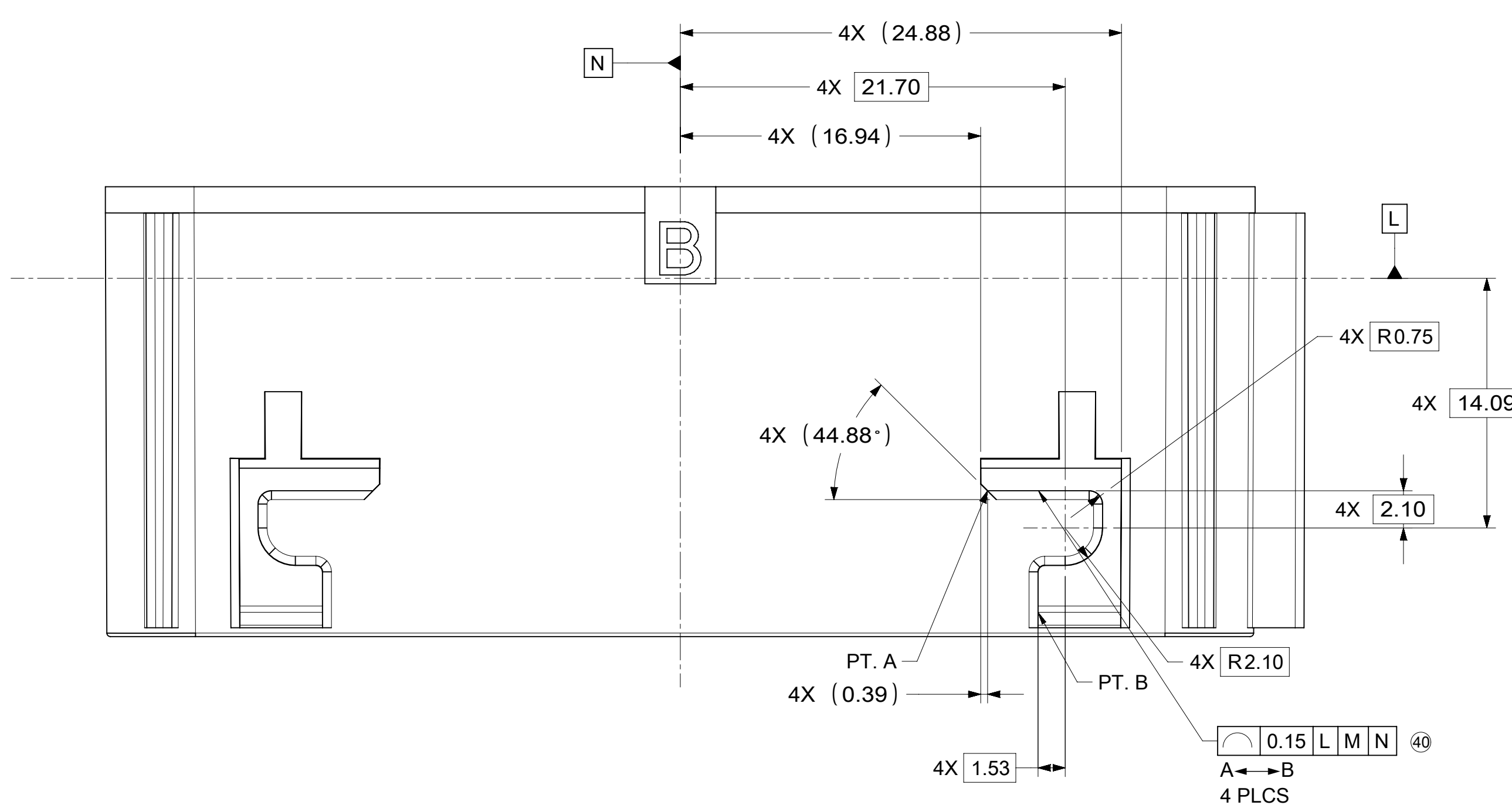
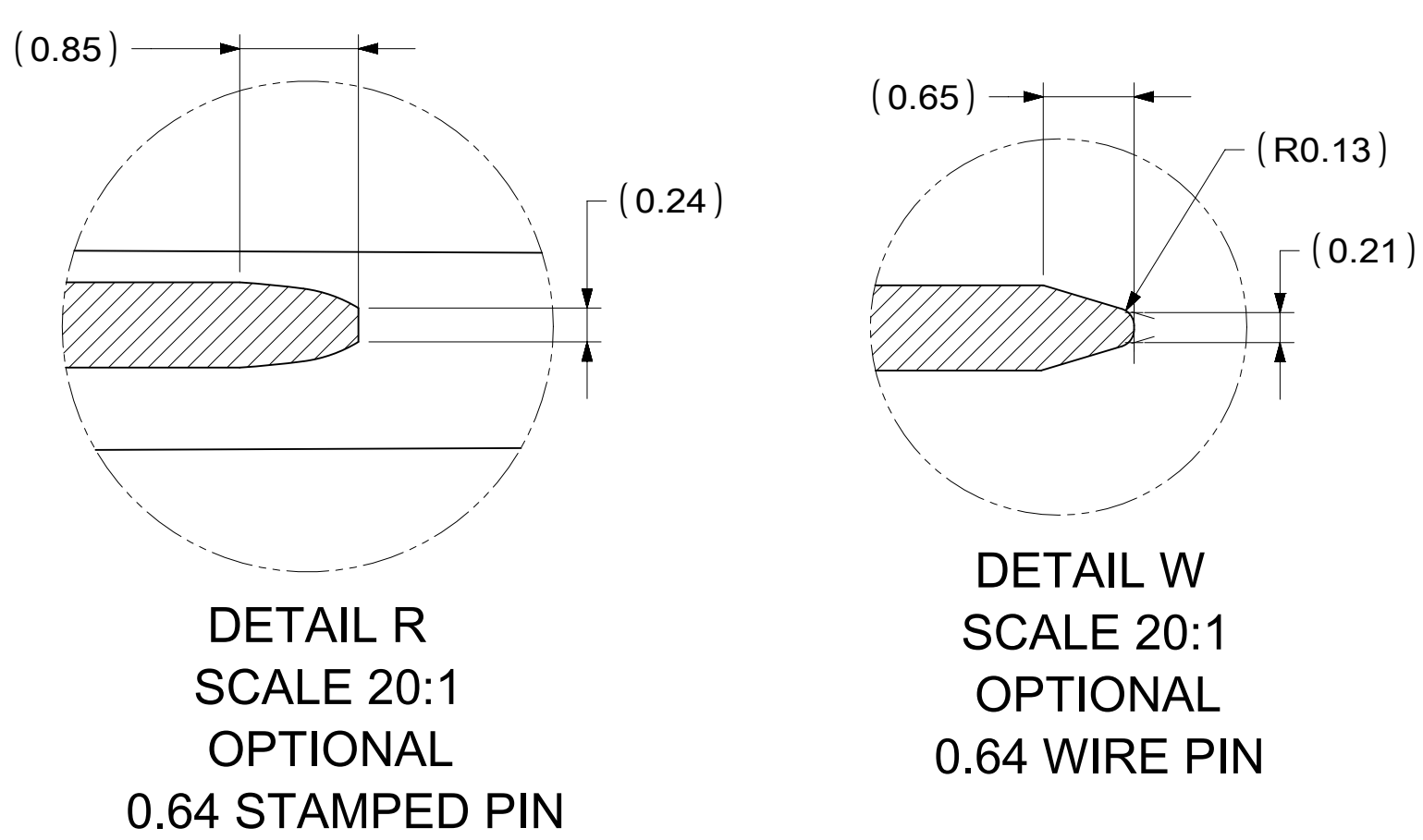
molex

GPEC IV CONNECTOR ASSEMBLY 95 CIRCUIT

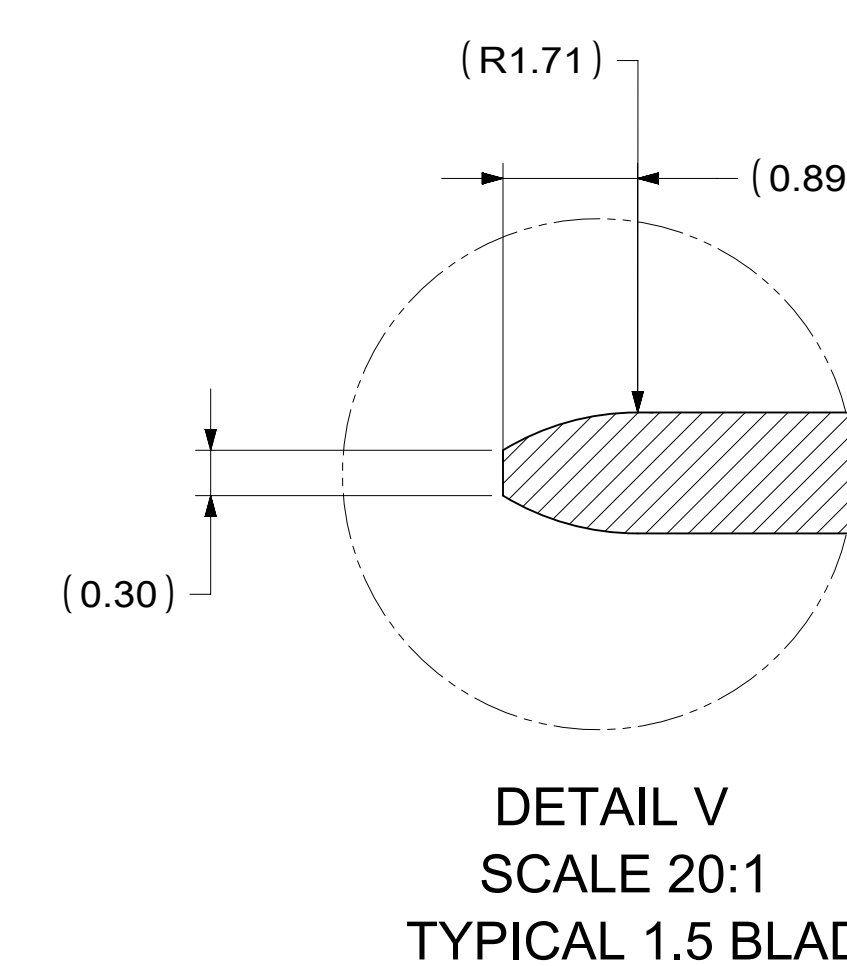
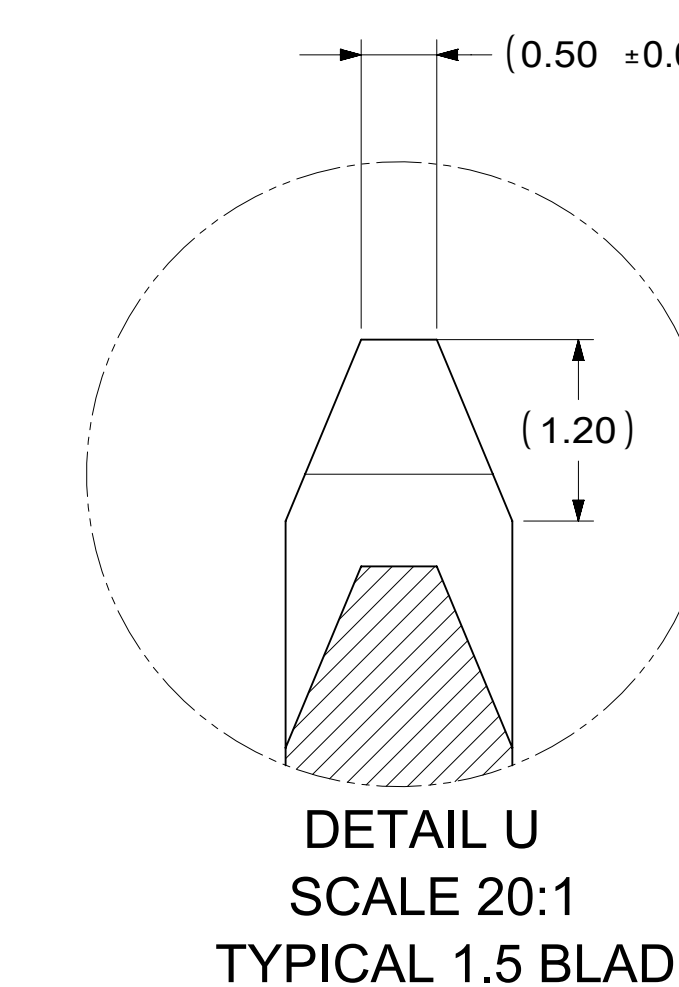
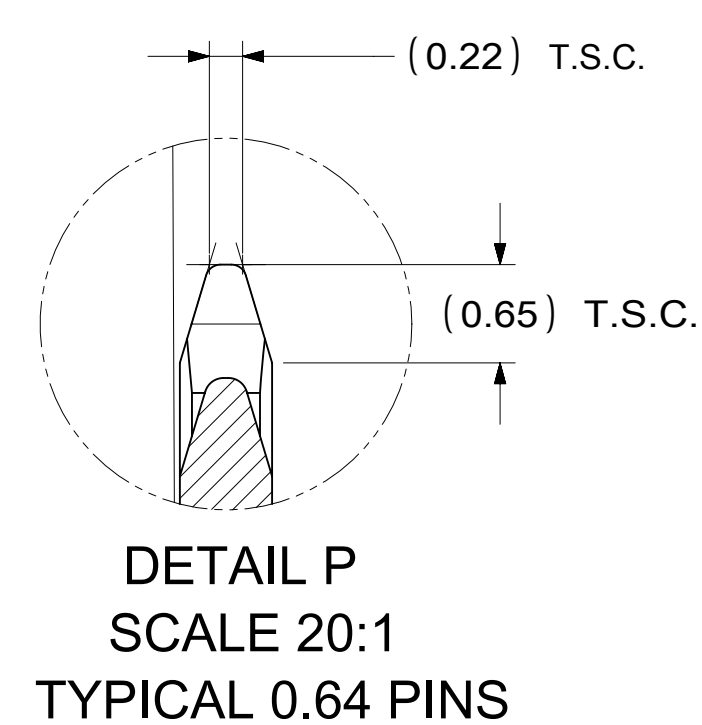
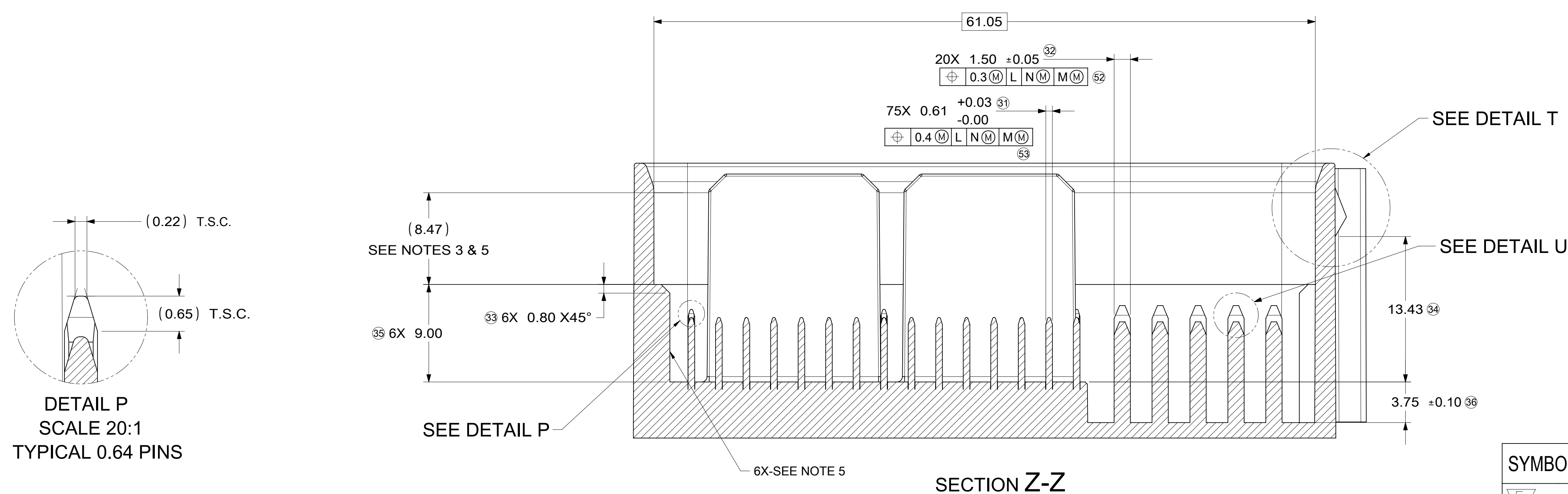
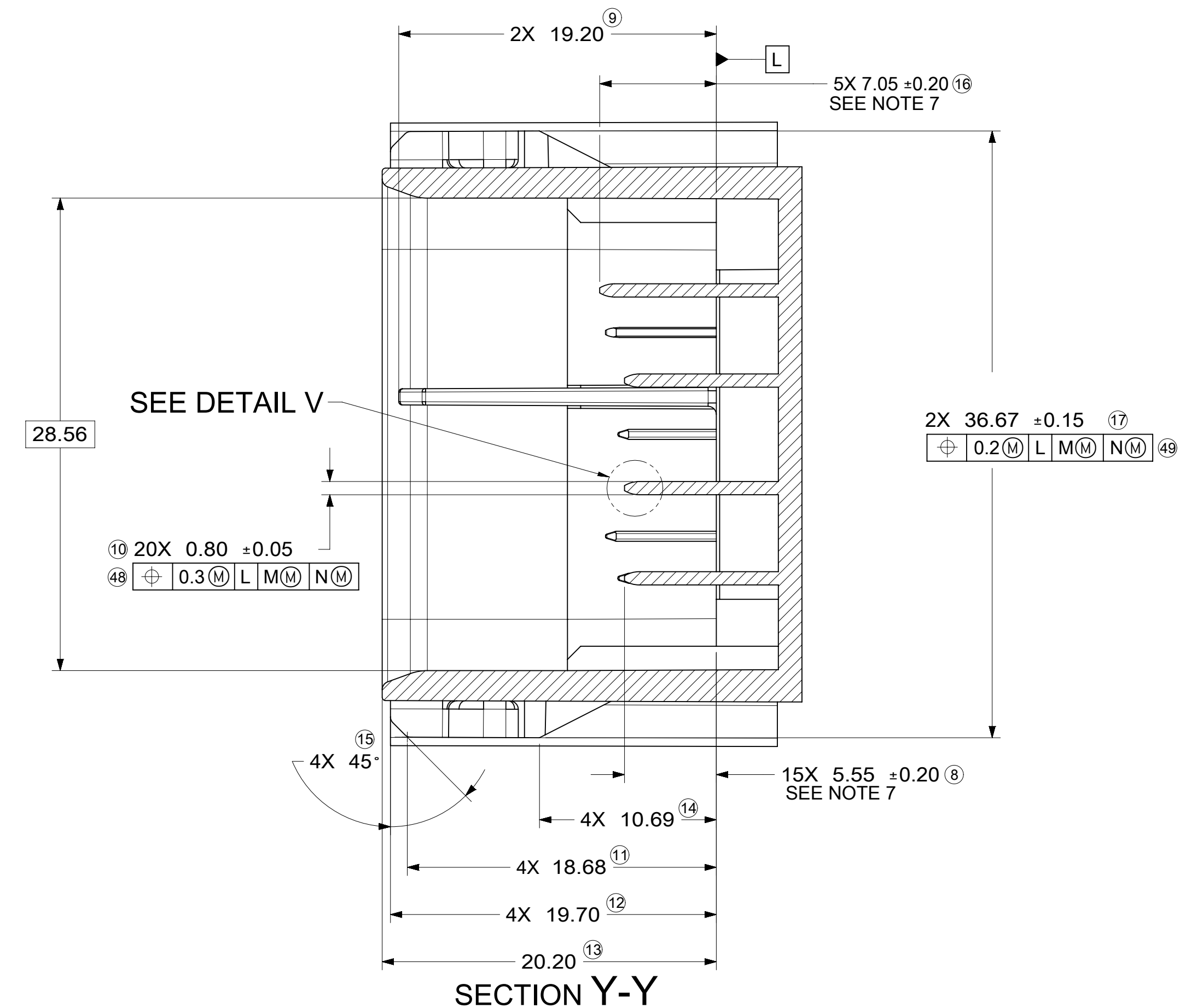
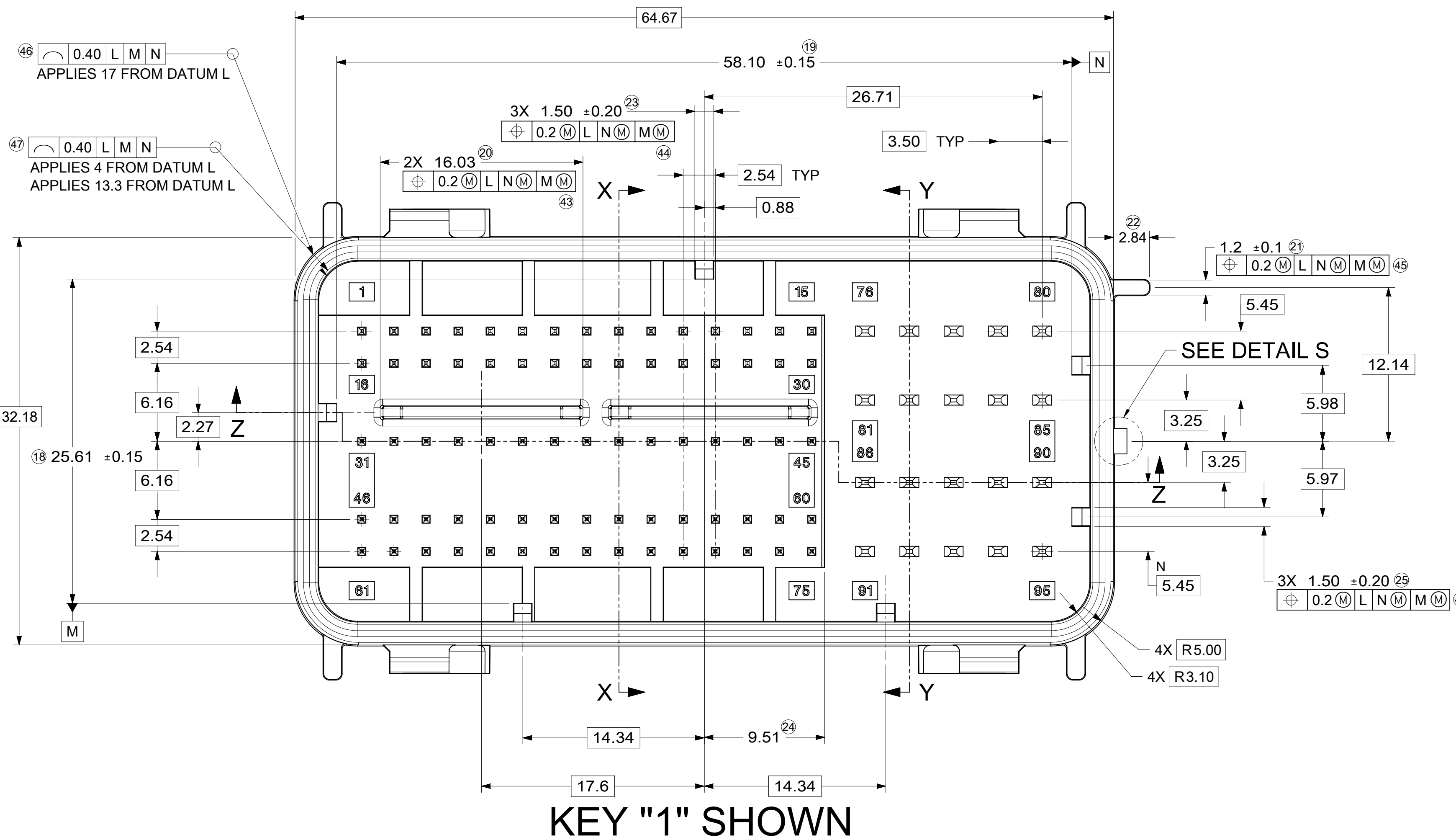
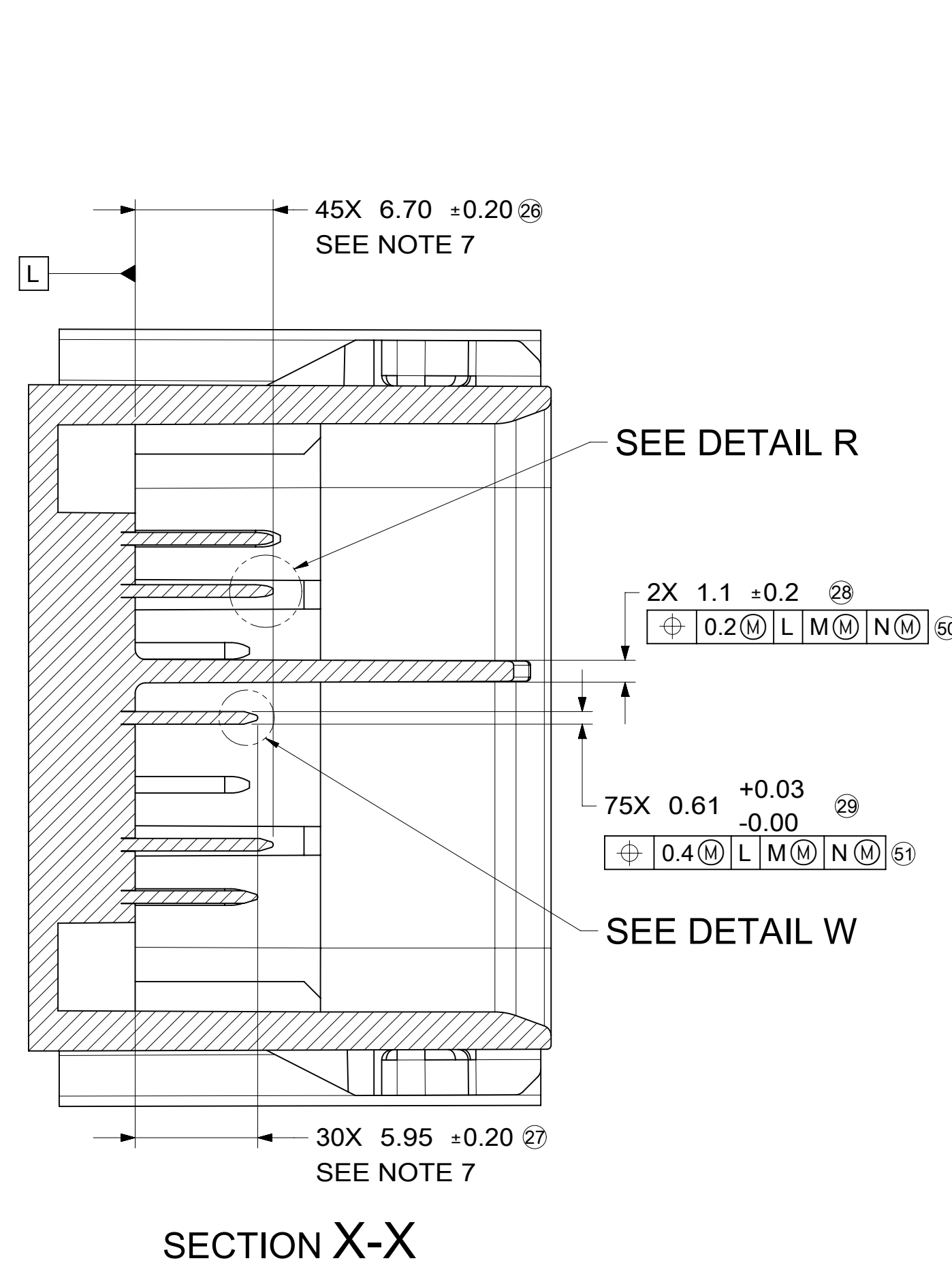
PRODUCT CUSTOMER DRAWING

DOCUMENT NUMBER: 349920001-SD DOC TYPE: PSD DOC PART: 000 REVISION: A8

RECOMMENDED MATING INTERFACE



- NOTES FOR INTERFACE: UNLESS OTHERWISE SPECIFIED
- GENERAL TOLERANCES:
LINEAR DIMENSIONS: ±0.20
ANGULAR DIMENSIONS: ±3°
 - DRAFT ANGLE PERMISSIBLE ONLY WITHIN DRAWING TOLERANCE.
 - SEAL SURFACE: NO WITNESS LINES OR IMPERFECTIONS PERMITTED IN THIS AREA.
 - ALL UNMARKED RADII TO BE 0.5 MAX. UNLESS OTHERWISE SPECIFIED.
 - ZERO DRAFT AREA
 - CONNECTION SYSTEM VALIDATED TO BE USCAR2, REVISION 5
 - PIN ROW HEIGHTS ARE INTENTIONALLY OFFSET
- POWER CONTACT PIN NOTES: (1.5 CIRCUITS)
- MATERIAL: Cu ALLOY
WITH TENSILE STRENGTH > 410 N/mm²
ELECTRICAL CONDUCTANCE > 16 Sm/mm²
(≥28% IACS at 20°C)
 - BASE PLATING: 1.25-2.25µm NI OVERALL
 - REFLOW TIN PLATING: 2.5-4.0µm OVERALL
 - CONTACT MUST BE FREE OF BURRS AND SHARP EDGES.
 - PROCESS COMPONENTS IN A LOW-SULFUR ENVIRONMENT AND AVOID CONTACT WITH MATERIALS THAT TRANSFER SULFUR TO THE ENVIRONMENT.
- SIGNAL CONTACT PIN NOTES: (0.64 CIRCUITS)
- MATERIAL: Cu ALLOY
WITH TENSILE STRENGTH > 410 N/mm²
ELECTRICAL CONDUCTANCE > 16 Sm/mm²
(≥28% IACS at 20°C)
 - BASE PLATING: 1.25-2.5µm NI OVERALL
 - SILVER PLATING 2-4µm Ag WITH TARNISH RESISTANT TREATMENT APPLIED TO THE ENTIRE SILVER SURFACE.
 - CONTACT MUST BE FREE OF BURRS AND SHARP EDGES.
 - FOR SILVER PLATING: ELECTRICAL PERFORMANCE IS NOT AFFECTED BY GREY OR BLACK TARNISH ON THE SILVER PLATING SURFACE. ACCEPTABLE SILVER PIN SURFACES CAN INCLUDE GREY OR BLACK TARNISH.
 - PROCESS COMPONENTS IN A LOW-SULFUR ENVIRONMENT AND AVOID CONTACT WITH MATERIALS THAT TRANSFER SULFUR TO THE ENVIRONMENT.



SYMBOLS	THIS DRAWING CONTAINS INFORMATION THAT IS PROPRIETARY TO MOLEX ELECTRONIC TECHNOLOGIES, LLC AND SHOULD NOT BE USED WITHOUT WRITTEN PERMISSION		CURRENT REV DESC: NOTE AND TABLE UPDATED		molex
	DIMENSION UNITS	SCALE			
▽ = 0	mm	4:1			PRODUCT CUSTOMER DRAWING
▽ = 0	GENERAL TOLERANCES (UNLESS SPECIFIED)				DOCUMENT NUMBER
▽ = 0	ANGULAR TOL ±				349920001-SD
▽ = 0	4 PLACES ±		EC NO: 677806		DOC TYPE
▽ = 0	3 PLACES ±		DRWN: NBOHIDAR 2021/09/15		PSD
▽ = 0	2 PLACES ±		CHK'D: BDICK01 2021/09/28		000
▽ = 0	1 PLACE ±		APPR: BDICK01 2021/09/28		A8
▽ = 0	0 PLACES ±		INITIAL REVISION:		REVISION
▽ = 0	DRAFT WHERE APPLICABLE MUST REMAIN WITHIN DIMENSIONS		DRWN: NBOHIDAR 2018/09/01		
▽ = 0			APPR: APROFFITT 2018/09/07		
▽ = 0			THIRD ANGLE PROJECTION		MATERIAL NUMBER
▽ = 0			E-SIZE		CUSTOMER
▽ = 0			34992		GENERAL MARKET
▽ = 0			SERIES		SHEET NUMBER
▽ = 0			DRAWING		3 OF 3

BOM AND PIN OUT SHEET

ASSEMBLY DESCRIPTION	ASSEMBLY PART NUMBER	COMPONENT							BLOCKED TERMINALS																	STATUS	COMMENTS							
		THE PRESENCE OF AN ABBREVIATION INDICATES THE PRESENCE OF THAT COMPONENT.							CAVITY WITH A NUMBER INDICATES BLOCKED TERMINAL POSITION CAVITY WITHOUT A NUMBER INDICATES OPEN TERMINAL POSITION																									
		OUTER HOUSING KEY/COLOR	INNER HOUSING	PLR	LEVER	LEVER ARM (x/2)	MAT SEAL	RING SEAL																										
GPEC RCPT CONN 95 CKT END LVR KEY 1/75	349920008	1-BLACK	IH	PLR	LE	LA	M	R	1	-	3	-	5	-	7	-	-	10	-	-	-	-	15	-	-	78	-	-						
									16	-	-	-	-	-	-	-	-	-	-	-	-	-	-	-	-	-	-	-	-	-	-	-		
									-	-	-	-	-	-	-	-	-	-	-	-	-	-	-	-	-	41	-	-	-	-	-	-	-	-
									46	-	48	-	-	-	-	-	-	-	-	-	-	-	-	-	-	56	-	-	-	-	-	-	-	-
									61	-	63	64	-	-	-	67	68	69	-	-	-	-	-	-	-	-	-	-	-	-	74	75	-	-
GPEC RCPT CONN 95 CKT END LVR KEY 1/76	349920009	1-BLACK	IH	PLR	LE	LA	M	R	1	-	3	-	5	-	7	-	-	10	-	-	-	-	-	-	-	-	-	-						
									16	-	-	-	-	-	-	-	-	-	-	-	-	-	-	-	-	-	-	-	-	-	-	-		
									-	-	-	-	-	-	-	-	-	-	-	-	-	-	-	-	-	41	-	-	-	-	-	-	-	-
									46	-	48	-	-	-	-	-	-	-	-	-	-	-	-	-	-	56	-	-	-	-	-	-	-	-
									61	-	63	64	-	-	66	67	68	69	-	-	-	-	-	-	-	-	-	-	-	-	74	75	-	-
GPEC RCPT CONN 95 CKT END LVR KEY 1/80	349920010	1-BLACK	IH	PLR	LE	LA	M	R	1	-	3	-	5	-	7	-	-	10	-	-	-	-	-	-	-	-	-	-	-					
									16	-	-	-	-	-	-	-	-	-	-	-	-	-	-	-	-	-	-	-	-	-	-	-		
									-	-	-	-	-	-	-	-	-	-	-	-	-	-	-	-	-	41	-	-	-	-	-	-	-	-
									46	-	48	-	-	-	-	-	-	-	-	-	-	-	-	-	-	56	-	-	-	-	-	-	-	-
									61	-	63	64	-	-	-	-	-	-	-	-	-	-	-	-	-	-	-	-	-	-	-	-	-	-
GPEC RCPT CONN 95 CKT END LVR KEY 1/79	349920011	1-BLACK	IH	PLR	LE	LA	M	R	1	-	-	-	-	-	-	-	-	-	-	-	-	-	-	-	-	-	-	-	-	-				
									16	-	-	-	-	-	-	-	-	-	-	-	-	-	-	-	-	-	-	-	-	-	-	-	-	
									-	-	-	-	-	-	-	-	-	-	-	-	-	-	-	-	-	-	-	-	-	-	-	-	-	-
									-	-	-	-	-	-	-	-	-	-	-	-	-	-	-	-	-	55	56	-	-	-	-	-	-	-
									-	62	63	64	-	-	67	68	69	-	-	-	-	-	-	-	-	-	-	-	-	-	74	75	-	-
GPEC RCPT CONN 95 CKT END LVR KEY 1/74	349920012	1-BLACK	IH	PLR	LE	LA	M	R	-	-	3	-	-	-	-	-	9	10	-	12	-	-	-	-	-	-	-	-	-					
									-	-	18	-	-	-	-	-	24	25	-	-	-	-	-	-	-	-	-	-	-	-	-	-	-	
									31	-	-	-	-	-	-	-	-	-	-	-	-	-	-	-	-	-	-	-	-	-	-	-	-	-
									-	47	48	-	-	-	-	-	-	-	-	-	-	-	-	-	-	56	-	-	-	-	-	-	-	-
									-	-	-	64	65	-	-	68	69	-	71	-	-	-	-	-	-	-	-	-	-	-	74	75	-	-
GPEC RCPT CONN 95 CKT END LVR KEY 1/83	349920013	1-BLACK	IH	PLR	LE	LA	M	R	1	-	-	-	-	-	-	-	-	-	-	-	-	-	-	-	-	-	-	-	-	-				
									16	-	-	-	-	-	-	-	-	-	-	-	-	-	-	-	-	-	-	-	-	-	-	-	-	
									-	-	-	-	-	-	-	-	-	-	-	-	-	-	-	-	-	-	-	-	-	-	-	-	-	-
									-	-	-	-	-	-	-	-	-	-	-	-	-	-	-	-	-	55	56	-	-	-	-	-	-	-
									-	62	63	64	-	-	67	68	69	-	-	-	-	-	-	-	-	-	-	-	-	-	-	-	-	-
GPEC RCPT CONN 95 CKT END LVR KEY 1/79	349920014	1-BLACK	IH	PLR	LE	LA	M	R	-	-	-	-	-	-	-	-	9	-	-	-	-	-	-	-	-	-	-	-	-	-				
									-	-	18	-	-	-	-	-	24	25	-	-	-	-	-	-	-	-	-	-	-	-	-	-	-	
									-	-	-	-	-	-	-	-	-	-	-	-	-	-	-	-	-	-	-	-	-	-	-	-	-	-
									-	47	48	-	-	-	-	-	-	-	-	-	-	-	-	-	-	56	-	-	-	-	-	-	-	-
									-	-	-	64	65	-	-	68	69	-	71	-	-	-	-	-	-	-	-	-	-	-	74	75	-	-
GPEC RCPT CONN 95 CKT END LVR KEY 1/82	349920015	1-BLACK	IH	PLR	LE	LA	M	R	-	-	-	-	-	-	-	-	9	-	-	-	-	-	-	-	-	-	-	-	-	-				
									-	-	18	-	-	-	-	-	24	25	-	-	-	-	-	-	-	-	-	-	-	-	-	-	-	
									-	-	-	-	-	-	-	-	-	-	-	-	-	-	-	-	-	-	-	-	-	-	-	-	-	-
									-	-	-	-	-	-	-	-	-	-	-	-	-	-	-	-	-	-	-	-	-	-	-	-	-	-
									-	-	-	64	65	-	-	68	69	-	71	-	-	-	-	-	-	-	-	-	-	-	74	75	-	-
GPEC RCPT CONN 95 CKT END LVR KEY 1/77	349920016	1-BLACK	IH	PLR	LE	LA	M	R	1	-	-	-	-	-	-	-	-	-	-	-	-	-	-	-	-	-	-	-	-	-				
									16	-	-	-	-	-	-	-	-	-	-	-	-	-	-	-	-	-	-	-	-	-	-	-	-	
									-	-	-	-	-	-	-	-	-	-	-	-	-	-	-	-	-	-	-	-	-	-	-	-	-	-
									-	-	-	-	-	-	-	-	-	-	-	-	-	-	-	-	-	55	56	57	-	-	-	-	-	-
									-	62	63	64	-	66	67	68	69	-	-	-	-	-	-	-	-	-	-	-	-	-	74	75	-	-
GPEC RCPT CONN 95 CKT END LVR KEY 1/67	349920017	1-BLACK	IH	PLR	LE	LA	M	R	-	-	3	-	-	-	-	-	9	10	-	12	-	-	-	-	-	-	-	-	-	-				
									-	-	18	-	-	-	-	-	24	25	-	-	-	-	-	-	-	-	-	-	-	-	-	-	-	
									31	-	-	-	-	-	-	-	-	-	-	-	-	-	-	-	-	-	-	-	-	-	-	-	-	-
									-	-	-	-	-	-	-	-	-	-	-	-	-	-	-	-	-	-	-	-	-	-	-	-	-	-
									-	62	63	64	65	-	-	68	69	70	71	72	73	74	75	-	-	-	-	-	-	-	-	-	-	-

BOM AND PIN OUT SHEET

ASSEMBLY DESCRIPTION	ASSEMBLY PART NUMBER	COMPONENT							BLOCKED TERMINALS																	STATUS	COMMENTS			
		THE PRESENCE OF AN ABBREVIATION INDICATES THE PRESENCE OF THAT COMPONENT.							CAVITY WITH A NUMBER INDICATES BLOCKED TERMINAL POSITION CAVITY WITHOUT A NUMBER INDICATES OPEN TERMINAL POSITION																					
		OUTER HOUSING KEY/COLOR	INNER HOUSING	PLR	LEVER	LEVER ARM (x/2)	MAT SEAL	RING SEAL																						
GPEC RCPT CONN 95 CKT TOP LVR KEY 3/52	349925029	3-BLACK	IH	PLR	LT	LA	M	R	-	-	3	4	-	-	-	8	-	-	-	-	-	14	15	-	77	78	79	80	SALEABLE	
									16	17	18	-	20	21	22	23	-	25	26	-	28	-	30	-	-	-	-	-		
									-	-	-	-	-	-	-	-	-	40	-	-	-	44	-	-	-	-	-	-		
									46	47	48	-	-	51	52	53	54	-	-	-	-	59	-	-	-	-	-	-		
									61	-	-	-	-	66	67	68	-	70	71	72	73	74	-	91	92	93	-	95		
GPEC RCPT CONN 95 CKT TOP LVR KEY 3/50	349925030	3-BLACK	IH	PLR	LT	LA	M	R	-	-	3	4	-	-	-	8	-	-	-	-	-	14	15	76	-	78	79	80	SALEABLE	
									16	17	18	-	20	21	22	23	24	25	26	-	28	29	30	-	-	-	-	-		
									-	-	-	-	-	-	-	-	-	40	-	42	-	-	-	-	-	-	-	-		
									-	47	48	-	-	-	52	53	54	-	-	-	-	-	-	-	-	-	-	-		
									61	-	63	64	65	66	67	68	69	70	-	72	73	74	-	91	92	93	-	95		
GPEC RCPT CONN 95 CKT TOP LVR KEY 3/57	349925031	3-BLACK	IH	PLR	LT	LA	M	R	-	-	-	-	-	-	-	-	-	-	-	-	-	-	-	-	-	-	-	SALEABLE		
									-	-	-	19	-	21	-	-	24	25	-	-	-	-	-	-	-	-	-			-
									-	-	33	-	-	-	-	-	39	-	41	-	43	44	-	-	-	-	-			-
									-	-	48	49	50	51	52	53	-	55	-	-	58	59	60	-	-	88	89			-
									61	62	63	64	65	66	67	68	69	70	71	72	73	74	75	-	-	93	94			-
GPEC RCPT CONN 95 CKT TOP LVR KEY 3/47	349925032	3-BLACK	IH	PLR	LT	LA	M	R	-	-	-	4	5	-	-	8	-	-	-	12	13	14	15	-	77	78	79	-	SALEABLE	
									16	17	18	19	20	21	22	23	-	25	26	-	28	29	30	81	-	-	-	-		
									-	-	-	-	-	-	-	-	-	40	-	-	-	-	-	-	-	-	-	-		
									46	47	-	49	-	51	-	53	54	55	56	57	58	59	-	86	-	-	-	-		
									61	62	-	-	-	66	-	68	69	70	71	72	73	-	-	91	92	-	-	-		
GPEC RCPT CONN 95 CKT TOP LVR KEY 3/57	349925033	3-BLACK	IH	PLR	LT	LA	M	R	-	-	-	-	-	-	-	-	-	10	-	-	-	-	-	-	-	-	-	-	SALEABLE	
									-	-	-	19	-	21	-	-	24	-	-	-	-	-	-	-	-	-	-	-		
									-	32	33	-	35	-	-	-	39	-	-	42	43	44	45	-	-	88	89	-		
									-	-	-	-	50	51	52	53	-	55	56	-	58	59	60	-	-	-	-	-		
									61	62	63	64	65	66	67	68	69	70	71	72	73	74	75	-	-	-	-	-		
GPEC RCPT CONN 95 CKT END LVR KEY 4/95	349926001	4-BLACK	IH	PLR	LE	LA	M	R	-	-	-	-	-	-	-	-	-	-	-	-	-	-	-	-	-	-	-	SALEABLE		
									-	-	-	-	-	-	-	-	-	-	-	-	-	-	-	-	-	-	-			-
									-	-	-	-	-	-	-	-	-	-	-	-	-	-	-	-	-	-	-			-
									-	-	-	-	-	-	-	-	-	-	-	-	-	-	-	-	-	-	-			-
									-	-	-	-	-	-	-	-	-	-	-	-	-	-	-	-	-	-	-			-
GPEC RCPT CONN 95 CKT END LVR KEY 4/72	349926002	4-BLACK	IH	PLR	LE	LA	M	R	-	-	3	-	-	6	7	-	9	-	-	-	-	-	15	-	-	-	-	-	SALEABLE	
									-	-	-	-	20	21	22	-	-	-	-	-	-	-	-	-	-	-	-	85		
									-	-	-	34	35	36	37	38	39	-	-	-	-	-	-	-	-	-	-	-		
									46	47	48	49	-	-	-	-	-	-	56	-	-	-	-	86	-	-	-	-		
									-	-	63	-	-	-	-	-	69	-	-	-	-	-	-	-	-	-	-	-		
GPEC RCPT CONN 95 CKT END LVR KEY 4/72	349926003	4-BLACK	IH	PLR	LE	LA	M	R	-	2	-	-	-	6	7	-	-	-	11	12	13	14	-	-	-	-	-	-	SALEABLE	
									-	-	-	19	-	21	-	-	-	-	-	27	28	-	-	-	82	-	-	-		
									31	-	-	-	-	-	-	-	-	-	41	-	-	-	45	-	-	-	-	-		
									46	47	-	-	-	-	-	-	-	-	-	-	-	-	-	-	87	-	-	-		
									61	-	-	64	-	-	67	-	-	-	-	72	-	74	-	-	-	-	-	-		
GPEC RCPT CONN 95 CKT END LVR KEY 4/63	349926004	4-BLACK	IH	PLR	LE	LA	M	R	-	2	-	-	5	6	7	-	-	-	11	12	13	14	-	-	-	78	-	-	SALEABLE	
									-	-	-	19	-	21	-	-	-	-	-	27	28	-	-	-	82	83	-	-		
									31	-	-	-	35	-	-	-	-	-	41	-	-	-	45	-	-	-	-	-		
									46	47	-	-	-	-	-	-	-	-	-	57	58	59	-	-	87	88	-	-		
									61	-	-	64	-	-	67	-	-	-	-	72	-	74	-	-	-	93	-	-		
GPEC RCPT CONN 95 CKT TOP LVR KEY 4/95	349927001	4-BLACK	IH	PLR	LT	LA	M	R	-	-	-	-	-	-	-	-	-	-	-	-	-	-	-	-	-	-	-	SALEABLE		
									-	-	-	-	-	-	-	-	-	-	-	-	-	-	-	-	-	-	-			-
									-	-	-	-	-	-	-	-	-	-	-	-	-	-	-	-	-	-	-			-
									-	-	-	-	-	-	-	-	-	-	-	-	-	-	-	-	-	-	-			-
									-	-	-	-	-	-	-	-	-	-	-	-	-	-	-	-	-	-	-			-

BOM AND PIN OUT SHEET

ASSEMBLY DESCRIPTION	ASSEMBLY PART NUMBER	COMPONENT							BLOCKED TERMINALS																	STATUS	COMMENTS		
		THE PRESENCE OF AN ABBREVIATION INDICATES THE PRESENCE OF THAT COMPONENT.							CAVITY WITH A NUMBER INDICATES BLOCKED TERMINAL POSITION CAVITY WITHOUT A NUMBER INDICATES OPEN TERMINAL POSITION																				
		OUTER HOUSING KEY/COLOR	INNER HOUSING	PLR	LEVER	LEVER ARM (x/2)	MAT SEAL	RING SEAL	1	2	3	4	5	6	-	-	9	-	-	-	-	14	15	-	77			-	79
GPEC RCPT CONN 95 CKT TOP LVR KEY 4/52	349927012	4-BLACK	IH	PLR	LT	LA	M	R	-	-	3	4	-	-	-	-	9	-	-	-	-	14	15	-	77	-	79	80	
									-	17	18	19	20	-	-	23	24	25	-	-	28	-	-	-	-	-	-	85	
									-	-	-	-	-	-	-	37	-	-	-	-	-	-	44	-	-	-	-	-	-
									46	-	48	49	-	51	-	-	-	-	56	-	-	59	-	86	-	-	-	-	
									61	-	63	64	-	66	67	68	69	-	71	-	-	74	75	91	92	-	-	95	
GPEC RCPT CONN 95 CKT TOP LVR KEY 4/47	349927013	4-BLACK	IH	PLR	LT	LA	M	R	-	-	3	4	-	-	-	-	9	-	-	12	13	-	15	-	77	78	79	80	
									16	17	18	-	20	21	-	23	24	25	26	-	28	-	30	-	-	-	-	85	
									-	-	-	-	-	-	-	-	38	-	-	-	-	43	44	45	-	-	-	-	-
									46	47	48	49	-	51	-	53	54	-	56	-	-	59	-	86	-	-	-	-	
									61	-	-	-	-	66	67	68	69	70	71	-	73	74	-	91	-	-	94	95	
GPEC RCPT CONN 95 CKT TOP LVR KEY 4/50	349927014	4-BLACK	IH	PLR	LT	LA	M	R	-	-	3	4	-	-	-	-	9	-	-	12	13	-	15	-	77	78	79	80	
									16	17	18	-	20	21	-	23	24	25	26	-	28	-	30	-	-	-	-	85	
									-	-	-	-	-	-	-	-	38	-	-	-	-	43	-	-	-	-	-	-	-
									46	47	-	49	-	51	52	53	54	-	56	-	-	59	-	86	-	-	-	-	
									-	-	-	-	-	66	67	68	69	70	71	-	73	74	-	91	-	-	94	95	
GPEC RCPT CONN 95 CKT TOP LVR KEY 4/52	349927015	4-BLACK	IH	PLR	LT	LA	M	R	1	-	3	4	-	6	-	-	9	-	-	-	-	-	15	-	-	78	79	80	
									16	17	-	19	-	21	-	23	24	25	26	-	28	29	30	-	-	-	-	85	
									-	-	-	-	-	-	-	-	-	-	-	-	42	-	44	-	-	-	-	-	-
									46	-	-	49	-	51	-	53	54	55	56	-	-	59	-	86	-	-	-	-	
									-	-	-	64	-	66	67	68	69	70	71	-	-	74	75	91	-	-	-	95	
GPEC RCPT CONN 95 CKT TOP LVR KEY 4/50	349927016	4-BLACK	IH	PLR	LT	LA	M	R	-	-	3	4	-	-	-	-	9	-	-	12	13	-	15	-	77	78	79	80	
									16	17	18	-	20	21	22	23	-	25	26	-	28	-	30	-	-	-	-	85	
									-	-	-	-	-	-	-	-	-	40	-	42	-	44	-	-	-	-	-	-	
									46	47	48	-	-	51	52	53	54	-	56	-	-	59	-	86	-	-	-	-	
									61	-	-	-	-	66	67	68	-	70	71	72	73	74	-	-	-	-	-	95	
GPEC RCPT CONN 95 CKT TOP LVR KEY 4/57	349927017	4-BLACK	IH	PLR	LT	LA	M	R	-	-	3	-	5	-	7	8	9	-	-	-	13	-	-	-	-	-	-	-	
									-	-	-	19	20	-	22	23	24	25	26	-	28	-	-	-	-	-	-	85	
									31	32	-	34	35	36	37	-	39	-	-	42	43	44	-	-	-	-	-	-	
									46	-	-	49	50	51	52	-	-	-	-	57	-	-	-	86	-	88	-	-	
									-	-	-	-	-	-	-	-	69	70	-	-	-	74	-	-	-	-	94	95	
GPEC RCPT CONN 95 CKT TOP LVR KEY 4/39	349927018	4-BLACK	IH	PLR	LT	LA	M	R	-	-	3	4	-	6	7	8	9	-	-	12	13	-	15	-	77	78	79	80	
									16	17	18	-	20	21	22	23	24	25	26	-	28	-	30	-	-	-	-	85	
									-	-	-	-	-	-	-	-	-	40	41	42	43	44	45	-	-	-	-	-	
									46	47	48	49	-	51	52	53	54	-	56	-	-	59	60	86	-	-	-	-	
									61	-	-	-	-	66	67	68	-	70	71	72	73	74	-	91	-	-	94	95	
GPEC RCPT CONN 95 CKT END LVR KEY N/95	349928000	NIL - GRAY	IH	PLR	LE	LA	M	R	-	-	-	-	-	-	-	-	-	-	-	-	-	-	-	-	-	-	-	-	
									-	-	-	-	-	-	-	-	-	-	-	-	-	-	-	-	-	-	-	-	
									-	-	-	-	-	-	-	-	-	-	-	-	-	-	-	-	-	-	-	-	
									-	-	-	-	-	-	-	-	-	-	-	-	-	-	-	-	-	-	-	-	
									-	-	-	-	-	-	-	-	-	-	-	-	-	-	-	-	-	-	-	-	
GPEC RCPT CONN 95 CKT END LVR KEY 5/95	349928001	5-BLACK	IH	PLR	LE	LA	M	R	-	-	-	-	-	-	-	-	-	-	-	-	-	-	-	-	-	-	-	-	
									-	-	-	-	-	-	-	-	-	-	-	-	-	-	-	-	-	-	-	-	
									-	-	-	-	-	-	-	-	-	-	-	-	-	-	-	-	-	-	-	-	
									-	-	-	-	-	-	-	-	-	-	-	-	-	-	-	-	-	-	-	-	
									-	-	-	-	-	-	-	-	-	-	-	-	-	-	-	-	-	-	-	-	
GPEC RCPT CONN 95 CKT END LVR KEY 5/95	349928002	5-BLACK	IH	PLR	LE	LA	M	R	-	-	-	-	-	-	-	-	-	-	-	-	-	-	-	-	-	-	-	-	
									-	-	-	-	-	-	-	-	-	-	-	-	-	-	-	-	-	-	-	-	
									-	-	-	-	-	-	-	-	-	-	-	-	-	-	-	-	-	-	-	-	
									-	-	-	-	-	-	-	-	-	-	-	-	-	-	-	-	-	-	-	-	
									-	-	-	-	-	-	-	-	-	-	-	-	-	-	-	-	-	-	-	-	

BOM AND PIN OUT SHEET

ASSEMBLY DESCRIPTION	ASSEMBLY PART NUMBER	COMPONENT							BLOCKED TERMINALS																	STATUS	COMMENTS		
		THE PRESENCE OF AN ABBREVIATION INDICATES THE PRESENCE OF THAT COMPONENT.							CAVITY WITH A NUMBER INDICATES BLOCKED TERMINAL POSITION CAVITY WITHOUT A NUMBER INDICATES OPEN TERMINAL POSITION																				
		OUTER HOUSING KEY/COLOR	INNER HOUSING	PLR	LEVER	LEVER ARM (x/2)	MAT SEAL	RING SEAL																					
GPEC RCPT CONN 95 CKT END LVR KEY 5/49	349928003	5-BLACK	IH	PLR	LE	LA	M	R	-	2	3	4	-	-	-	-	-	-	-	-	-	-	14	15	-	-	-	-	-
									-	17	18	-	20	21	-	-	24	-	26	27	-	-	30	81	-	-	-	85	
									-	-	33	34	35	-	-	38	39	-	41	-	-	44	-	-	-	-	-	-	
									46	47	48	49	50	51	52	53	-	-	-	57	58	-	-	86	87	88	-	-	
									-	62	63	64	65	66	67	68	-	70	71	72	-	-	-	91	-	-	-	-	
GPEC RCPT CONN 95 CKT END LVR KEY 5/56	349928004	5-BLACK	IH	PLR	LE	LA	M	R	-	-	-	4	5	-	-	-	-	-	-	-	-	-	-	-	-	-	-	-	-
									-	-	-	-	-	21	-	23	-	-	26	27	-	-	-	-	-	-	-	-	
									31	32	-	-	-	-	37	-	39	-	-	42	43	-	-	-	-	-	-	-	
									-	-	48	49	50	51	52	53	54	55	56	-	58	59	60	-	87	-	-	-	
									61	62	63	64	65	-	67	68	-	-	-	72	73	74	75	-	92	93	94	-	
GPEC RCPT CONN 95 CKT END LVR KEY 5/44	349928005	5-BLACK	IH	PLR	LE	LA	M	R	-	-	-	-	5	-	-	-	-	-	-	12	-	-	-	76	77	78	79	80	
									-	-	-	-	-	21	-	-	24	25	-	27	-	29	-	-	-	83	84	85	
									31	32	33	34	35	-	-	-	39	-	-	-	43	44	-	-	-	-	-	90	
									-	-	48	49	50	51	52	-	-	55	56	-	58	59	60	-	-	-	94	95	
									61	62	63	64	65	66	67	68	69	70	71	72	73	74	75	-	-	-	-	-	
GPEC RCPT CONN 95 CKT END LVR KEY 5/55	349928006	5-BLACK	IH	PLR	LE	LA	M	R	-	-	-	4	-	-	-	8	-	-	-	-	-	14	15	-	77	-	79	-	
									-	17	18	-	20	21	-	23	24	-	-	27	-	-	30	81	-	-	-	-	
									-	-	33	34	35	-	-	38	-	-	-	-	-	44	-	-	-	-	-	-	
									46	47	48	49	50	51	52	53	54	-	-	57	-	-	-	86	87	88	-	90	
									-	62	63	-	-	66	67	-	-	-	-	72	-	-	-	91	-	-	-	-	
GPEC RCPT CONN 95 CKT END LVR KEY 5/43	349928007	5-BLACK	IH	PLR	LE	LA	M	R	1	2	3	-	5	6	7	8	9	10	11	12	13	14	-	76	77	78	79	80	
									16	-	-	-	-	-	-	-	-	25	26	27	28	29	-	-	82	83	84	-	
									31	32	-	-	-	36	37	-	-	40	-	42	43	-	45	-	-	-	-	-	
									-	-	-	49	-	-	-	-	-	55	56	-	-	59	-	86	-	-	89	90	
									61	-	-	64	-	-	-	-	-	-	-	72	73	-	75	91	92	93	94	95	
GPEC RCPT CONN 95 CKT END LVR KEY 5/67	349928008	5-BLACK	IH	PLR	LE	LA	M	R	-	-	-	4	-	-	-	-	-	-	-	-	-	-	-	-	-	-	-	-	
									-	-	-	-	-	-	-	-	-	25	-	-	-	29	-	-	-	-	-	-	
									31	32	-	-	-	-	37	-	39	-	-	42	-	-	-	-	-	88	89	-	
									-	-	-	-	50	51	52	-	54	-	-	-	-	-	60	-	-	93	94	-	
									61	-	63	64	-	66	-	68	-	70	71	72	73	74	75	-	-	-	-	-	
GPEC RCPT CONN 95 CKT END LVR KEY 5/52	349928009	5-BLACK	IH	PLR	LE	LA	M	R	-	-	-	4	-	-	-	-	-	-	-	-	-	15	-	-	-	-	-		
									-	17	18	19	20	21	22	23	24	-	-	-	-	-	30	81	-	-	-	85	
									-	-	33	34	35	-	-	38	39	-	41	-	-	44	-	-	-	-	-	-	
									46	47	48	-	50	51	52	53	54	-	-	57	58	-	60	-	87	88	-	-	
									-	62	63	-	65	66	67	68	69	70	71	-	-	74	-	-	-	-	-	-	
GPEC RCPT CONN 95 CKT END LVR KEY 5/56	349928010	5-BLACK	IH	PLR	LE	LA	M	R	-	-	-	4	-	-	-	-	-	-	-	-	-	-	-	-	-	-	-	-	
									-	-	-	-	-	-	-	-	-	24	25	-	-	-	29	-	-	-	-	-	-
									31	32	33	-	35	-	37	-	39	-	41	42	43	44	-	-	-	88	89	-	
									-	-	-	-	50	51	52	-	54	-	56	-	58	-	60	-	-	93	94	-	
									61	-	63	64	65	66	67	68	69	70	71	72	73	74	75	-	-	-	-	-	
GPEC RCPT CONN 95 CKT TOP LVR KEY N/95	349929000	NIL - GRAY	IH	PLR	LT	LA	M	R	-	-	-	-	-	-	-	-	-	-	-	-	-	-	-	-	-	-	-	-	
									-	-	-	-	-	-	-	-	-	-	-	-	-	-	-	-	-	-	-	-	
									-	-	-	-	-	-	-	-	-	-	-	-	-	-	-	-	-	-	-	-	
									-	-	-	-	-	-	-	-	-	-	-	-	-	-	-	-	-	-	-	-	
									-	-	-	-	-	-	-	-	-	-	-	-	-	-	-	-	-	-	-	-	
GPEC RCPT CONN 95 CKT TOP LVR KEY 5/95	349929001	5-BLACK	IH	PLR	LT	LA	M	R	-	-	-	-	-	-	-	-	-	-	-	-	-	-	-	-	-	-	-	-	
									-	-	-	-	-	-	-	-	-	-	-	-	-	-	-	-	-	-	-	-	
									-	-	-	-	-	-	-	-	-	-	-	-	-	-	-	-	-	-	-	-	
									-	-	-	-	-	-	-	-	-	-	-	-	-	-	-	-	-	-	-	-	
									-	-	-	-	-	-	-	-	-	-	-	-	-	-	-	-	-	-	-	-	

BOM AND PIN OUT SHEET

ASSEMBLY DESCRIPTION	ASSEMBLY PART NUMBER	COMPONENT							BLOCKED TERMINALS																	STATUS	COMMENTS				
		THE PRESENCE OF AN ABBREVIATION INDICATES THE PRESENCE OF THAT COMPONENT.							CAVITY WITH A NUMBER INDICATES BLOCKED TERMINAL POSITION CAVITY WITHOUT A NUMBER INDICATES OPEN TERMINAL POSITION																						
		OUTER HOUSING KEY/COLOR	INNER HOUSING	PLR	LEVER	LEVER ARM (x/2)	MAT SEAL	RING SEAL																							
GPEC RCPT CONN 95 CKT TOP LVR KEY 5/51	349929002	5-BLACK	IH	PLR	LT	LA	M	R	-	-	3	4	-	-	-	-	9	-	-	12	13	-	15	-	77	78	-	80	SALEABLE		
									16	17	-	19	-	21	-	23	24	-	-	-	28	29	30	-	-	-	-	85			
									-	-	-	-	-	-	-	-	-	-	-	-	-	-	44	-	-	-	-	-			-
									46	47	48	-	-	51	52	53	54	-	56	-	-	59	60	86	-	-	-	-			
									61	-	-	64	-	66	67	68	69	70	71	-	73	74	75	91	-	-	-	95			
GPEC RCPT CONN 95 CKT TOP LVR KEY 5/95	349929003	5-BLACK	IH	PLR	LT	LA	M	R	-	-	-	-	-	-	-	-	-	-	-	-	-	-	-	-	-	-	-	-	SALEABLE		
									-	-	-	-	-	-	-	-	-	-	-	-	-	-	-	-	-	-	-	-			
									-	-	-	-	-	-	-	-	-	-	-	-	-	-	-	-	-	-	-	-			
									-	-	-	-	-	-	-	-	-	-	-	-	-	-	-	-	-	-	-	-			
									-	-	-	-	-	-	-	-	-	-	-	-	-	-	-	-	-	-	-	-			
GPEC RCPT CONN 95 CKT TOP LVR KEY 5/45	349929004	5-BLACK	IH	PLR	LT	LA	M	R	-	-	3	4	-	6	7	8	9	-	-	12	13	-	15	-	77	78	-	80	SALEABLE		
									16	17	-	19	-	21	-	23	24	-	-	-	28	29	30	-	-	-	-	85			
									-	-	-	-	-	-	-	-	-	-	-	41	42	-	44	-	-	-	-	-			-
									46	47	48	-	-	51	52	53	54	55	56	-	-	59	60	86	-	-	-	-			
									61	-	-	64	-	66	67	68	69	70	71	-	73	74	75	91	-	-	-	95			
GPEC RCPT CONN 95 CKT TOP LVR KEY 5/48	349929005	5-BLACK	IH	PLR	LT	LA	M	R	-	-	3	4	-	6	7	8	9	-	-	-	-	-	15	-	77	78	-	80	SALEABLE		
									16	17	-	19	-	21	-	23	24	-	-	-	28	29	30	-	-	-	-	85			
									-	-	-	-	-	-	-	-	-	-	-	41	42	-	44	-	-	-	-	-			-
									46	47	48	-	-	51	-	53	54	55	56	-	-	59	60	86	-	-	-	-			
									61	-	-	64	-	66	67	68	69	70	71	-	73	74	75	91	-	-	-	95			
GPEC RCPT CONN 95 CKT TOP LVR KEY 5/50	349929006	5-BLACK	IH	PLR	LT	LA	M	R	-	-	-	4	5	-	-	-	-	-	-	-	-	-	-	-	-	-	-	-	SALEABLE		
									-	-	-	19	-	21	-	23	24	25	26	27	-	-	-	81	82	-	-	-			
									31	-	-	-	-	-	37	38	39	-	41	-	43	44	-	-	-	-	-	-			
									-	-	48	49	-	-	52	-	54	55	56	-	58	59	60	-	87	88	89	-			
									61	62	63	64	65	66	67	68	-	70	71	72	73	74	75	-	92	-	-	-			
GPEC RCPT CONN 95 CKT TOP LVR KEY 5/57	349929007	5-BLACK	IH	PLR	LT	LA	M	R	-	-	-	4	5	-	-	-	-	-	-	-	-	-	-	-	-	-	-	SALEABLE			
									-	-	-	-	-	21	-	23	-	25	26	27	-	-	-	-	-	-	-			-	
									31	32	-	-	-	-	37	-	39	-	-	42	43	-	-	-	-	-	-			-	
									-	-	-	49	50	51	52	53	54	-	56	-	58	59	60	-	87	88	-			-	
									61	62	63	64	65	66	67	68	-	-	-	72	73	74	75	-	92	-	-			-	
GPEC RCPT CONN 95 CKT TOP LVR KEY 5/66	349929008	5-BLACK	IH	PLR	LT	LA	M	R	-	-	-	-	-	-	-	-	-	-	-	12	-	-	-	-	-	-	-	80	SALEABLE		
									-	-	-	19	-	-	-	-	-	-	-	-	27	-	-	-	-	-	-	-			85
									-	32	-	-	-	-	-	-	-	-	-	-	43	-	-	-	-	-	-	-			
									-	-	48	49	-	51	52	-	-	55	56	-	58	59	60	-	-	-	89	-			
									61	62	63	64	-	-	67	68	69	-	-	72	73	74	75	-	-	-	94	-			
GPEC RCPT CONN 95 CKT TOP LVR KEY 5/49	349929009	5-BLACK	IH	PLR	LT	LA	M	R	-	-	-	4	5	-	-	-	-	-	-	-	-	-	-	-	-	-	-	-	SALEABLE		
									-	-	18	19	-	21	-	23	24	25	26	27	-	-	-	81	82	-	-	-			
									31	-	-	-	-	-	37	38	39	-	41	-	43	44	-	-	-	-	-	-			
									-	-	48	49	-	-	52	-	54	55	56	-	58	59	60	-	87	88	89	-			
									61	62	63	64	65	66	67	68	-	70	71	72	73	74	75	-	92	-	-	-			
GPEC RCPT CONN 95 CKT TOP LVR KEY 5/94	349929010	5-BLACK	IH	PLR	LT	LA	M	R	-	-	-	-	-	-	-	-	-	-	-	-	-	-	-	-	-	-	-	SALEABLE			
									-	-	-	-	-	-	-	-	-	-	-	-	-	-	-	-	-	-	-			-	
									-	-	-	-	-	-	-	-	-	-	-	-	-	-	-	-	-	-	-			-	
									-	-	-	-	-	-	-	-	-	-	-	-	-	-	-	-	-	-	-			-	
									-	-	-	-	-	-	-	-	-	-	-	-	-	-	75	-	-	-	-			-	
GPEC RCPT CONN 95 CKT TOP LVR KEY 5/51	349929011	5-BLACK	IH	PLR	LT	LA	M	R	-	-	-	4	5	-	-	-	-	-	-	-	-	-	-	-	-	-	-	-	SALEABLE		
									-	-	18	19	-	21	-	23	24	25	26	27	-	-	-	81	82	-	-	-			
									31	-	-	-	-	-	37	38	39	-	41	-	43	44	-	-	-	-	-	-			
									-	-	48	49	-	-	52	-	54	55	56	-	58	59	60	-	87	88	89	-			
									61	62	63	64	65	66	67	68	-	-	-	72	73	74	75	-	92	-	-	-			

BOM AND PIN OUT SHEET

ASSEMBLY DESCRIPTION	ASSEMBLY PART NUMBER	COMPONENT							BLOCKED TERMINALS																	STATUS	COMMENTS			
		THE PRESENCE OF AN ABBREVIATION INDICATES THE PRESENCE OF THAT COMPONENT.							CAVITY WITH A NUMBER INDICATES BLOCKED TERMINAL POSITION CAVITY WITHOUT A NUMBER INDICATES OPEN TERMINAL POSITION																					
		OUTER HOUSING KEY/COLOR	INNER HOUSING	PLR	LEVER	LEVER ARM (x/2)	MAT SEAL	RING SEAL																						
GPEC RCPT CONN 95 CKT TOP LVR KEY 5/36	349929022	5-BLACK	IH	PLR	LT	LA	M	R	-	-	3	4	-	6	7	8	9	-	-	12	13	-	15	-	77	78	79	80	SALEABLE	
									16	17	18	19	20	21	22	23	24	25	26	-	28	29	30	-	-	-	-	85		
									-	-	-	-	-	-	-	38	-	40	41	42	-	44	-	-	-	-	-	-		
									46	47	48	-	-	51	52	53	54	55	56	-	-	59	60	86	-	-	-	-		
									61	-	-	64	-	66	67	68	69	70	71	72	73	74	75	91	-	-	-	95		
GPEC RCPT CONN 95 CKT TOP LVR KEY 5/63	349929023	5-BLACK	IH	PLR	LT	LA	M	R	-	-	-	4	-	-	-	-	-	-	-	-	-	-	-	-	-	-	-	-	SALEABLE	
									-	-	-	-	-	21	-	-	-	25	26	27	-	29	-	81	82	-	-	-		
									31	32	-	-	-	-	37	-	-	-	-	42	-	-	-	-	-	88	89	-		
									-	-	-	49	-	51	52	-	-	-	-	-	58	-	60	-	-	93	94	-		
									61	-	63	64	-	66	67	68	-	70	71	-	73	74	75	-	-	93	94	-		
GPEC RCPT CONN 95 CKT TOP LVR KEY 5/28	349929024	5-BLACK	IH	PLR	LT	LA	M	R	1	-	-	4	5	-	-	8	-	10	-	-	-	-	-	76	77	78	79	80	SALEABLE	
									-	17	-	19	-	21	-	23	24	-	-	27	28	-	-	81	82	83	84	85		
									-	32	33	-	35	36	37	-	-	-	41	42	43	44	45	-	-	-	-	-		
									-	-	48	49	50	51	52	53	54	55	56	-	58	59	60	-	87	88	89	90		
									61	62	63	64	65	66	67	68	69	70	71	72	73	74	75	-	92	93	94	95		
GPEC RCPT CONN 95 CKT TOP LVR KEY 5/39	349929025	5-BLACK	IH	PLR	LT	LA	M	R	-	-	3	4	-	6	7	8	9	-	-	12	13	-	15	-	77	78	79	80	SALEABLE	
									16	17	18	19	20	21	22	23	-	25	26	-	28	29	30	-	-	-	-	85		
									-	-	-	-	-	-	-	38	-	40	41	-	-	44	-	-	-	-	-	-		
									46	47	48	-	-	51	52	53	54	55	56	-	-	59	-	86	-	-	-	-		
									61	-	-	64	-	66	67	68	69	70	71	72	73	74	75	91	-	-	-	95		
GPEC RCPT CONN 95 CKT TOP LVR KEY 5/51	349929026	5-BLACK	IH	PLR	LT	LA	M	R	-	-	-	4	5	-	-	-	-	-	-	-	-	-	-	-	-	-	-	-	SALEABLE	
									-	-	18	19	-	21	-	23	24	25	26	27	-	-	-	81	82	-	-	-		
									-	-	-	-	-	-	37	38	39	-	41	-	43	44	-	-	-	-	-	-		
									-	-	48	49	-	-	52	-	54	55	56	-	58	59	60	-	87	88	-	-		
									61	62	63	64	65	66	67	68	-	70	71	72	73	74	75	-	92	-	-	-		
GPEC RCPT CONN 95 CKT TOP LVR KEY 5/30	349929027	5-BLACK	IH	PLR	LT	LA	M	R	1	-	-	4	5	-	-	8	-	10	-	-	-	-	-	76	77	78	79	80	SALEABLE	
									-	17	-	19	-	21	-	23	24	-	-	27	28	-	-	81	82	83	84	85		
									-	32	33	-	35	36	37	-	-	-	41	42	43	44	45	-	-	-	-	-		
									-	-	48	49	50	51	52	53	54	55	56	-	58	59	60	-	87	88	89	90		
									61	62	63	64	65	66	67	68	69	-	-	72	73	74	75	-	92	93	94	95		
GPEC RCPT CONN 95 CKT TOP LVR KEY 5/0	349929028	5-BLACK	IH	PLR	LT	LA	M	R	1	2	3	4	5	6	7	8	9	10	11	12	13	14	15	76	77	78	79	80	SALEABLE	
									16	17	18	19	20	21	22	23	24	25	26	27	28	29	30	81	82	83	84	85		
									31	32	33	34	35	36	37	38	39	40	41	42	43	44	45	-	-	-	-	-		
									46	47	48	49	50	51	52	53	54	55	56	57	58	59	60	86	87	88	89	90		
									61	62	63	64	65	66	67	68	69	70	71	72	73	74	75	91	92	93	94	95		
GPEC RCPT CONN 95 CKT TOP LVR KEY 5/53	349929029	5-BLACK	IH	PLR	LT	LA	M	R	-	-	-	4	5	-	-	-	-	-	-	-	-	-	-	-	-	-	-	-	SALEABLE	
									-	-	-	19	-	21	-	23	-	25	26	27	-	-	-	81	82	-	-	-		
									-	-	-	-	-	-	37	38	39	-	41	-	43	44	-	-	-	-	-	-		
									-	-	48	49	-	-	52	-	54	55	56	-	58	59	60	-	87	88	-	-		
									61	62	63	64	65	66	67	68	-	70	71	72	73	74	75	-	92	-	-	-		
GPEC RCPT CONN 95 CKT TOP LVR KEY 5/71	349929030	5-BLACK	IH	PLR	LT	LA	M	R	-	-	-	4	-	-	-	-	-	-	-	-	-	-	-	-	-	-	-	-	SALEABLE	
									-	-	-	-	-	-	-	-	-	25	-	-	-	29	-	-	-	-	-	-		
									31	32	-	-	-	-	37	-	-	-	-	42	-	-	-	-	-	-	-	-		
									-	-	-	-	-	51	52	-	-	-	-	-	-	-	60	-	-	88	89	-		
									61	-	63	64	-	66	-	68	-	70	71	-	73	74	75	-	-	93	94	-		
GPEC RCPT CONN 95 CKT TOP LVR KEY 5/72	349929031	5-BLACK	IH	PLR	LT	LA	M	R	-	-	-	4	-	-	-	-	-	-	-	-	-	-	-	-	-	-	-	-	SALEABLE	
									-	-	-	-	-	-	-	-	-	25	-	-	-	29	-	-	-	-	-	-		
									31	32	-	-	-	-	37	-	-	-	-	-	-	-	-	-	-	-	-	-		
									-	-	-	-	-	51	52	-	-	-	-	-	-	-	60	-	-	88	89	-		
									61	-	63	64	-	66	-	68	-	70	71	-	73	74	75	-	-	93	94	-		

