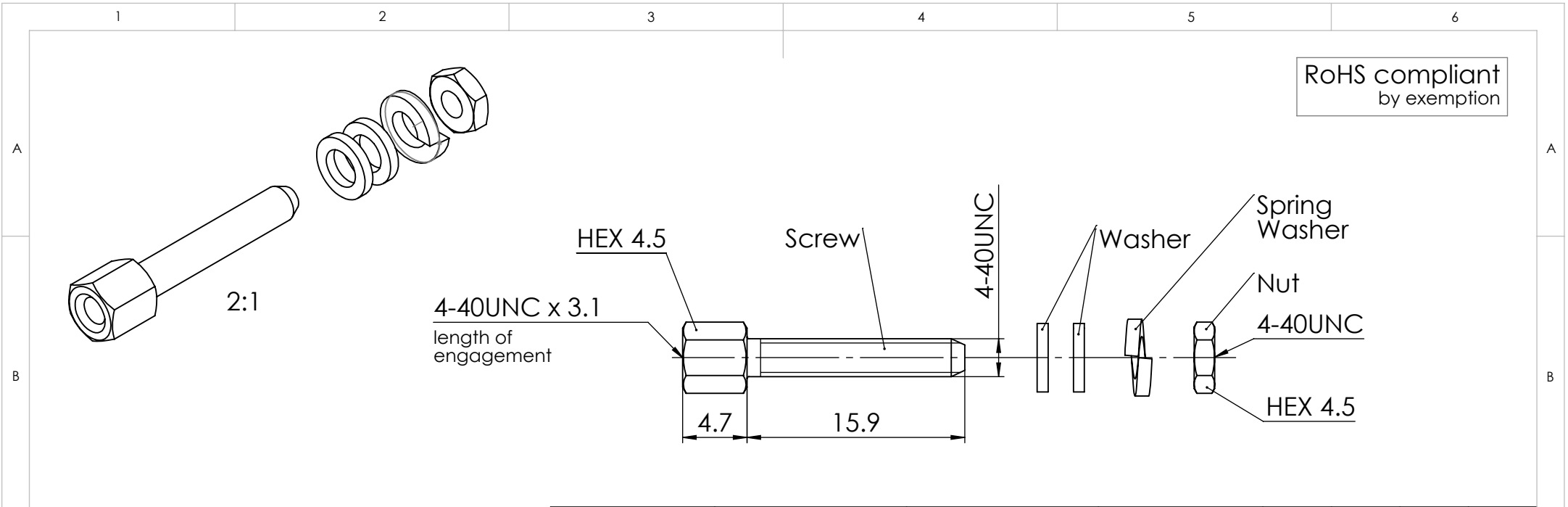


COMMENT:
 ALL RIGHTS ARE RESERVED BY US FOR THIS DRAWING. WITHOUT OUR PRIOR CONSENT,
 IT MAY NEITHER BE DUBLICATED NOR MADE AVAILABLE TO A THIRD PARTY,
 AND IT ALSO MAY NOT BE IMPROPERLY USED BY TE RECEIVER, OR A THIRD PARTY.



1731121176	F-GSCH1/5-K1762	Steel (Lead free) 2)	blank	1	-	1	1
1731120015	F-GSCH1/5-K164		blank	1	2	1	1
1731120659	F-GSCH1/5-K133		zinc plated 1)	1	2	1	1
1731121004	F-GSCH1/5-K133S		zinc plated 1)	1	2	1	1
1731120428	F-GSCH1/5-K133SN	Steel	tin plated	1	2	1	1
1731121170	F-GSCH1/5-K133SSN		tin plated	1	2	1	1
<i>Material Number</i>	<i>FCT Part Number</i>	<i>Material</i>	<i>Surface</i>	<i>Screw (pc.)</i>	<i>Washer (pc.)</i>	<i>Spring Washer (pc.)</i>	<i>Nut (pc.)</i>

FUNCTIONAL SYMBOLS								THIS DRAWING CONTAINS INFORMATION THAT IS PROPRIETARY TO MOLEX ELECTRONIC TECHNOLOGIES, LLC AND SHOULD NOT BE USED WITHOUT WRITTEN PERMISSION							
$\nabla = 0$	DIMENSION UNITS	SCALE	MEASUREMENTS WITHOUT TOLERANCE ACC. TO ISO 2768-mK					molex							
$\nabla = 0$	mm	2:1	CURRENT REVISION												
$\nabla = 0$	5	24420	DRWN: DRAWN BY mteubel 04-06-2025					FCT Female Screw Lock F-GSCH1/5-K133 / -K164 / -K1762							
	4	24130	APPR: APPR BY mteubel 04-06-2025												
	3	23713	INITIAL REVISION					PRODUCT CUSTOMER DRAWING							
	2	22659	DRWN: DRAWN BY Denzinger 26-11-2002					MATERIAL NUMBER							
	1		APPR: APPR BY Floßmann 26-11-2002					see table							
REV.	CH.-NO.		REPLACEMENT FOR: 1731120659_Rev.A1					DOCUMENT NUMBER F62M037_D							
			FIRST ANGLE PROJECTION					CUSTOMER GENERAL MARKET							
			DRAWING A4-SIZE					SHEET NUMBER 1 OF 1							
								REVISION 5							

Generally twice a material number respectively FCT part number is needed per connector.

Packaging specification: 1731120003-PK

1) With tension control fluid

2) RoHS compliant