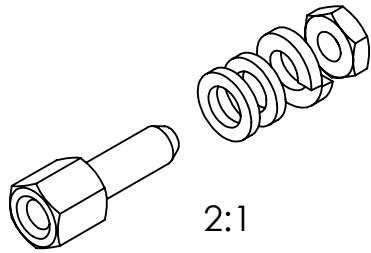
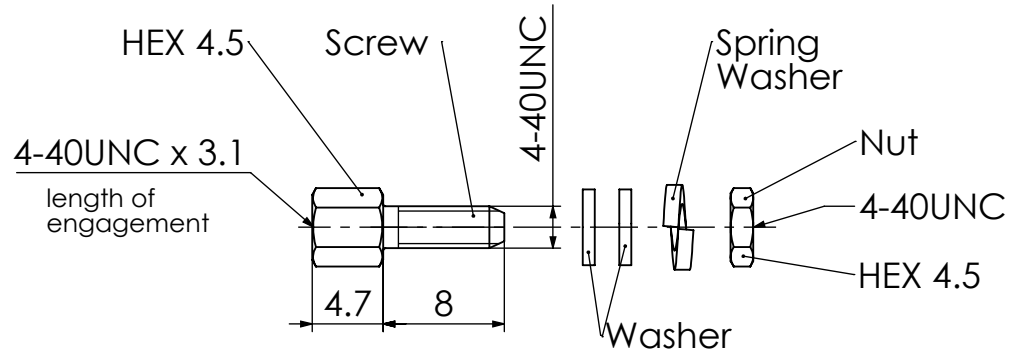


COMMENT:
 ALL RIGHTS ARE RESERVED BY US FOR THIS DRAWING. WITHOUT OUR PRIOR CONSENT,
 IT MAY NEITHER BE DUBLICATED NOR MADE AVAILABLE TO A THIRD PARTY,
 AND IT ALSO MAY NOT BE IMPROPERLY USED BY TE RECEIVER, OR A THIRD PARTY.



2:1



RoHS compliant
by exemption

1731121079	F62M031S253+S	Steel (Lead free) 2)	zinc plated 1)	1	-	-	-
1731120654	F62M031S245+S		tin plated	1	-	-	-
1731120593	F-GSCH1/5-K1074		zinc plated 1)	1	1	1	1
1731121184	F-GSCH1/5-K660		zinc plated 1)	1	-	1	-
1731120291	F-GSCH1/5-K320SN		tin plated	1	-	-	-
1731121042	F-GSCH1/5-K320		zinc plated 1)	1	-	-	-
1731121006	F-GSCH1/5S		zinc plated 1)	1	2	1	1
1731120014	F-GSCH1/5		zinc plated 1)	1	2	1	1
1731120416	F-GSCH1/5SSN	Steel	tin plated	1	2	1	1
1727040093	F-GSCH1/5SN	Steel	tin plated	1	2	1	1
<i>Material Number</i>	<i>FCT Part Number</i>	<i>Material</i>	<i>Surface</i>	<i>Screw (pc.)</i>	<i>Washer (pc.)</i>	<i>Spring Washer (pc.)</i>	<i>Nut (pc.)</i>

FUNCTIONAL SYMBOLS = 0 = 0 = 0	THIS DRAWING CONTAINS INFORMATION THAT IS PROPRIETARY TO MOLEX ELECTRONIC TECHNOLOGIES, LLC AND SHOULD NOT BE USED WITHOUT WRITTEN PERMISSION			
	DIMENSION UNITS mm	SCALE 2:1	MEASUREMENTS WITHOUT TOLERANCE ACC. TO ISO 2768-mK	
	4 24410 / 24420	3 22599	CURRENT REVISION	
	2 21262	1	INITIAL REVISION	
REV.	CH.-NO.	DRWN: DRAWN BY mteubel 28-05-2025	APPR: APPR BY mteubel 04-06-2025	 FCT Female Screw Lock F-GSCH1/5-K1074 /-K660 /-K320
REPLACEMENT FOR: 1731120014_Rev.A1		DRWN: DRAWN BY Denzinger 16-04-2003	APPR: APPR BY Floßmann 16-04-2003	
FIRST ANGLE PROJECTION		DRAWING A4-SIZE		PRODUCT CUSTOMER DRAWING
DOCUMENT NUMBER F62M031_D		CUSTOMER GENERAL MARKET		REVISION 4
SHEET NUMBER 1 OF 1				

Generally twice a material number respectively FCT part number is needed per connector.

Packaging specification: 1731120003-PK

1) With tension control fluid

2) RoHS complaint

1

2