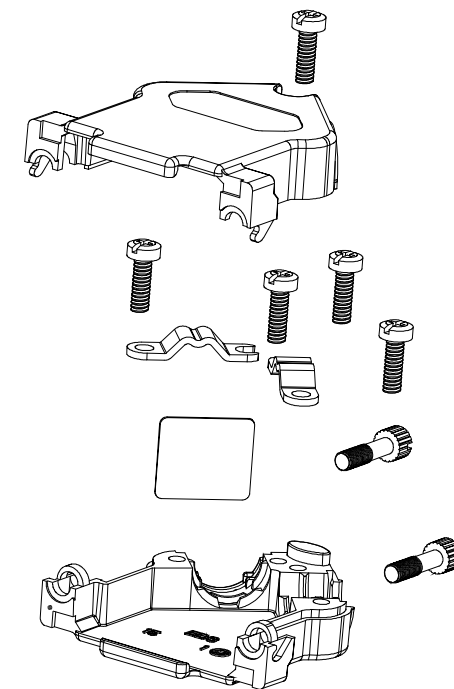
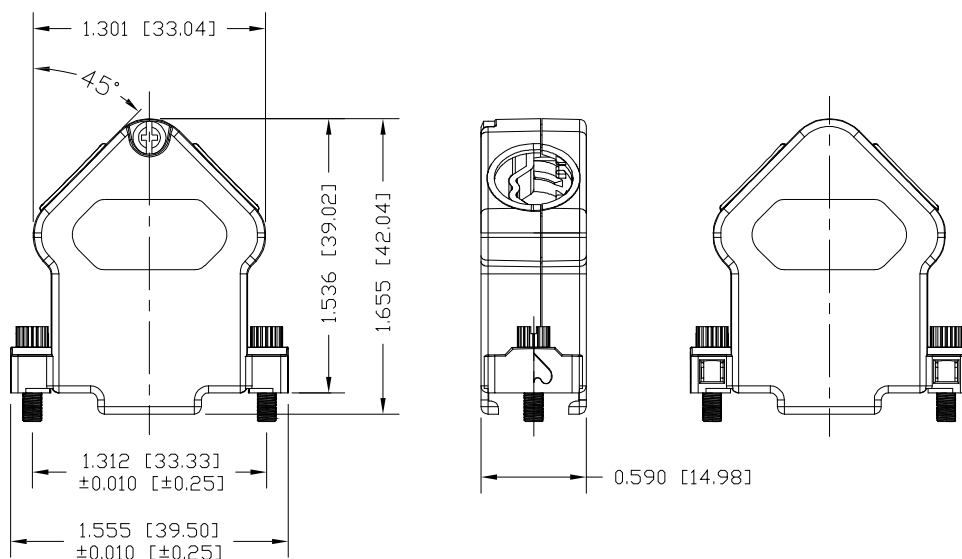


BACKSHELL KIT INCLUDES:

- (2) BACKSHELL HALVES
- (2) 4-40 JACKSCREWS
- (1) HOUSING SCREWS
- (4) STRAIN RELIEF SCREWS
- (2) STRAIN RELIEF CLAMP
- (1) COVER PLATE

SPECIFICATIONS:

- MATERIALS:**
 BACKSHELL: DIE-CAST ZINC ALLOY
 BACKSHELL PLATING: NICKEL OVER COPPER
 JACKSCREWS: ZINC PLATED STEEL
 HOUSING SCREWS: ZINC PLATED STEEL
 STRAIN RELIEF SCREWS: ZINC PLATED STEEL
 COVER PLATE: ZINC PLATED STEEL
 STRAIN RELIEF CLAMP: ZINC PLATED STEEL
- ENVIRONMENT:**
 OPERATING TEMPERATURE: -40°C TO +120°C



RECOMMENDED CABLE DIAMETER: 0.189 [4.80] - 0.433 [11.00]

RoHS COMPLIANT



THESE DRAWINGS AND SPECIFICATIONS ARE THE PROPERTY OF NorComp AND SHALL NOT BE REPRODUCED, COPIED OR USED AS THE BASIS FOR THE MANUFACTURE OR SALE OF APPARATUS WITHOUT WRITTEN PERMISSION.

DRAWN:
M. SIGMON
DATE:
05/12/2015

GENERAL TOLERANCE
ANGLE (±5°)
LINEAR = ±0.015 [±0.38]

UNITS = inch [mm]

NorComp

DO NOT SCALE FROM DRAWING

SCALE: NTS	SHEET 1	OF 1	REV 3
DWG NO. 959-015-030R121			