

DESCRIPTION: M12 // F // CABLE MOUNT // SHIELDED // 17P

**SPECIFICATIONS:**

**MATERIALS:**

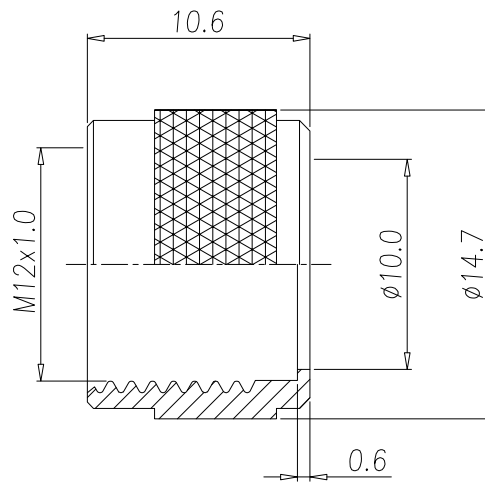
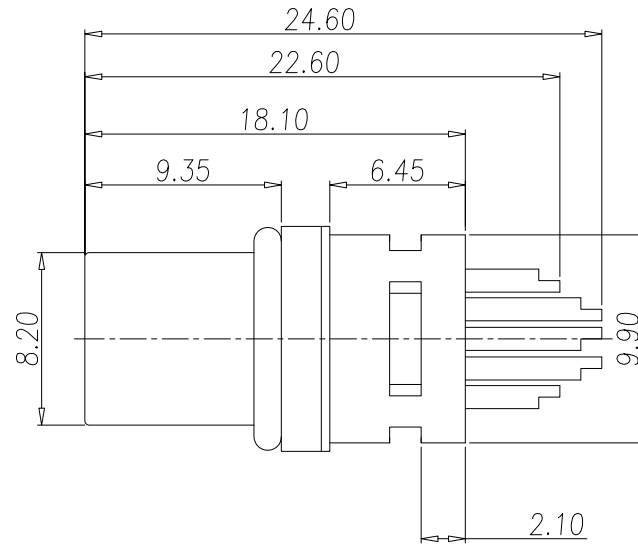
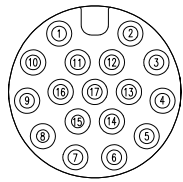
HOUSING: PBT, UL94 V-0, BLACK  
 CONTACTS: 10u" GOLD PLATED BRASS  
 NUT: NICKEL PLATED BRASS  
 SHELL: BRIGHT TIN PLATED BRASS  
 ORING: EPDM

**ELECTRICAL:**

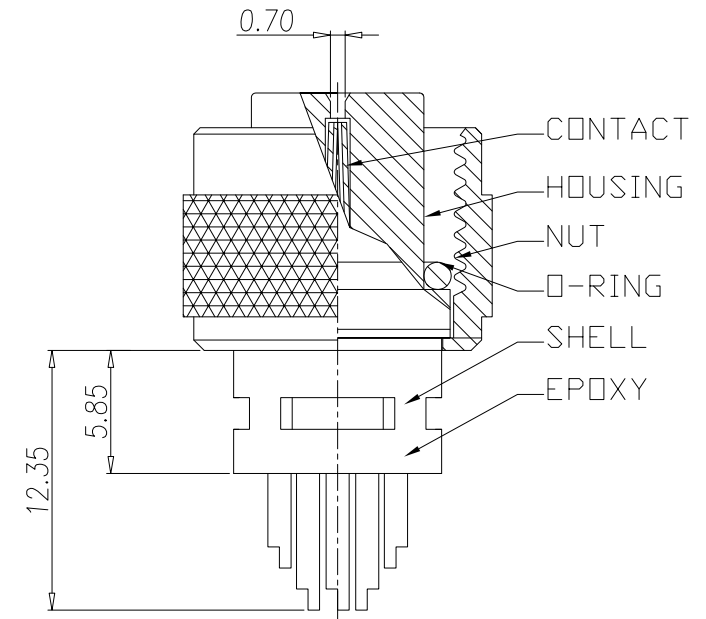
RATED CURRENT: 1.5A  
 RATED VOLTAGE: 30V  
 INSULATION RESISTANCE: 100 MOhms MIN.  
 CONTACT RESISTANCE: 10 mOhms MAX.

**ENVIRONMENT:**

OPERATING TEMPERATURE: -40°C TO +85°C  
 WATER PROOF: IP67  
 MAX WIRE AWG: 26



NUT



RoHS COMPLIANT

UNITS = mm

DO NOT SCALE FROM DRAWING



THESE DRAWINGS AND SPECIFICATIONS ARE THE PROPERTY OF NorComp AND SHALL NOT BE REPRODUCED, COPIED OR USED AS THE BASIS FOR THE MANUFACTURE OR SALE OF APPARATUS WITHOUT WRITTEN PERMISSION.

DRAWN:

J. KADEL

DATE:

09/15/2023

NorComp

SCALE:

NTS

SHEET

OF

1

1

REV

0

DWG NO.

858-017-203RSS4