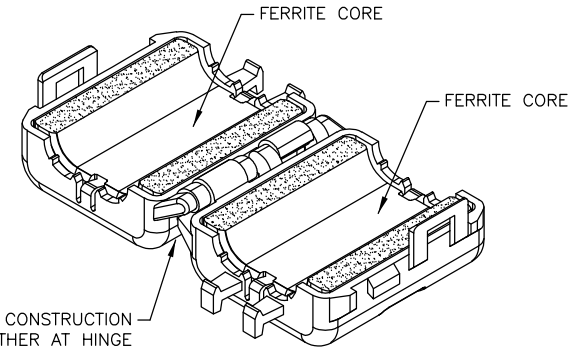
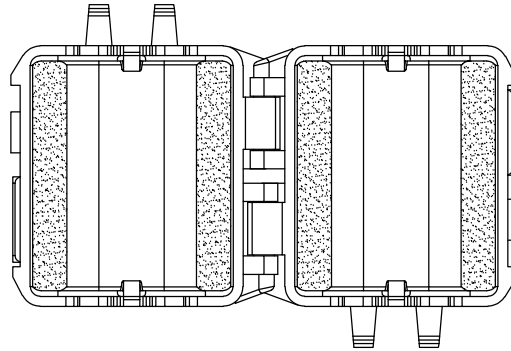
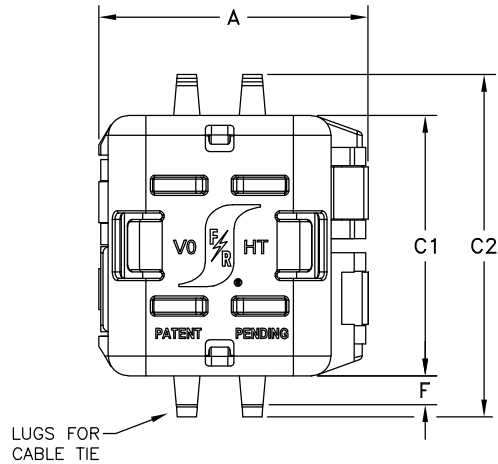


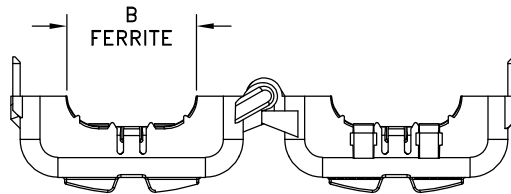
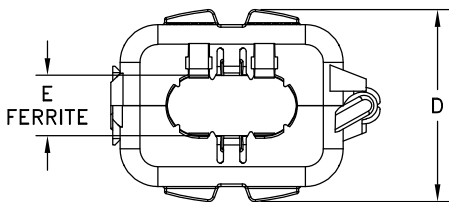
**\*\*Not all features are shown in this drawing.**  
**For more detailed information, please contact**  
**your Fair-Rite representative.**

UNCONTROLLED COPY WHEN PRINTED

SIZE	PART NO.	REV.
B	0461184651	~



TWO PIECE CONSTRUCTION  
 SNAP TOGETHER AT HINGE



NOTES:

- 1 - COMPONENTS NEEDED FOR ASSEMBLY:  
 QTY: 2, FR#2661184655 FR#61 MATERIAL SPLIT CORE  
 QTY: 2, FR#0199184655 NYLON PA66 PLASTIC CASE (UL94-V0)

A	B (MIN)	C1	C2
32.39/34.39	15.80	31.3/33.3	41.50/43.50
1.32	0.62	1.31	1.71
D	E (MIN)	F	
22.85/24.85	7.50	2.57/4.57	
0.94	0.30	0.14	

**ELECTRICAL SPECIFICATIONS**

$\Sigma l/A(\text{mm}^{-1})$	$l_e(\text{mm})$	$A_e(\text{mm}^2)$	$V_e(\text{mm}^3)$	$L_0(\text{nH})/T^2$	IMPEDANCE (OHMS)		$A_L(\text{nH})/T^2$
					100 MHz	250 MHz	
0.542	60.6	112	6773	2.32	TBD Min.	TBD Min.	TBD Min.
					MEASURED ON E4991A/TF16092A	MEASURED WITH 5 TURNS	

BOLD NUMBERS ARE IN MILLIMETERS\*\*, LIGHT NUMBERS ARE IN INCHES.

<b>FAIR-RITE PRODUCTS CORP.</b>						
TITLE ASSEMBLY, SNAP-IT CASE						
DRAWN BY J.CUSTY	DATE 04-22-25	SIZE B	PART NO. 0461184651	REV. ~		
CHKD BY					SCALE NONE	SHEET 1 of 1
APPRVD BY						