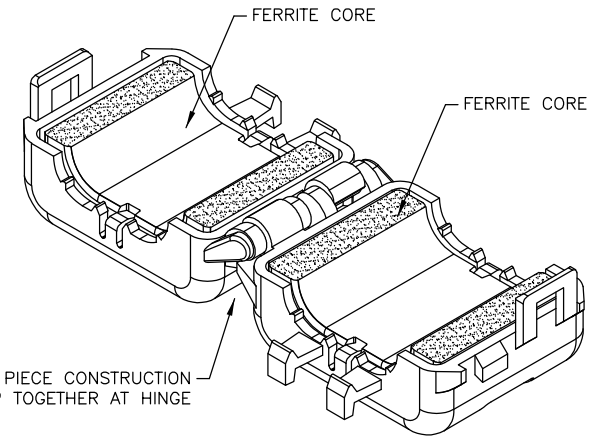
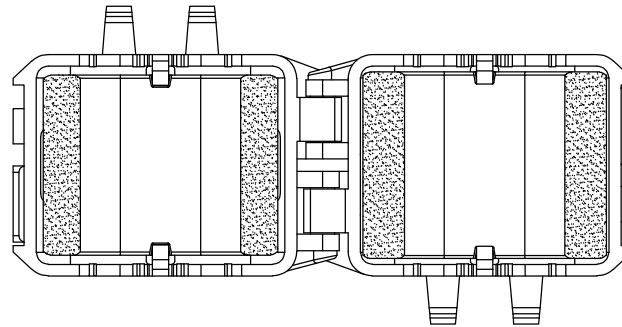
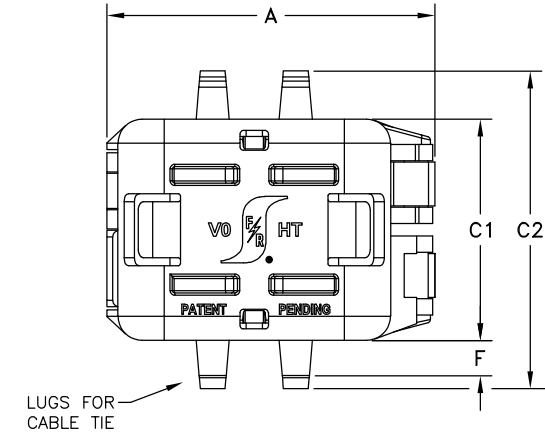


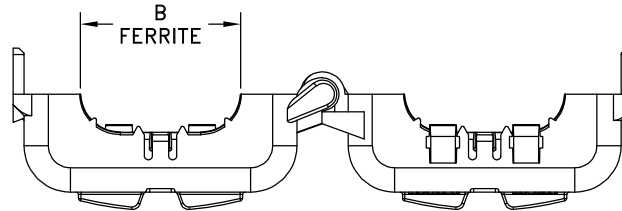
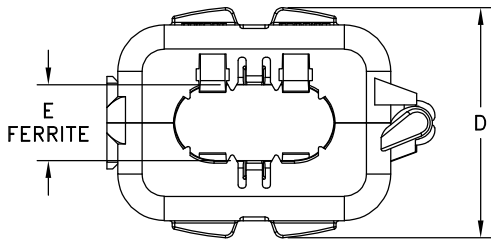
****Not all features are shown in this drawing.**
For more detailed information, please contact
your Fair-Rite representative.

UNCONTROLLED COPY WHEN PRINTED

SIZE	PART NO.	REV.
B	0431184851	~



TWO PIECE CONSTRUCTION
 SNAP TOGETHER AT HINGE



NOTES:

- 1 - COMPONENTS NEEDED FOR ASSEMBLY:
 QTY: 2, FR#2631184855 FR#31 MATERIAL SPLIT CORE
 QTY: 2, FR#0199184855 NYLON PA66 PLASTIC CASE
 (UL94-V0)

A	B (MIN)	C1	C2
49.10/51.10	24.50	32.8/34.8	47.50/49.50
1.97	0.96	1.33	1.91
D	E (MIN)	F	
34.17/36.17	11.60	4.40/6.40	
1.38	0.46	0.21	

ELECTRICAL SPECIFICATIONS

$\Sigma L/A(\text{mm}^{-1})$	$l_e(\text{mm})$	$A_e(\text{mm}^2)$	$V_e(\text{mm}^3)$	$L_0(\text{nH})/T^2$	IMPEDANCE (OHMS)			$A_L(\text{nH})/T^2$
					10 MHz	25 MHz	100 MHz	100 KHz
0.546	91.9	168	15456	2.30	TBD Min.	TBD Min.	TBD Min.	TBD Min.
MEASURED ON E4991A/TF16092A					MEASURED WITH 5 TURNS			

BOLD NUMBERS ARE IN MILLIMETERS**, LIGHT NUMBERS ARE IN INCHES.

FAIR-RITE PRODUCTS CORP.					
TITLE ASSEMBLY, SNAP-IT CASE					
DRAWN BY J.CUSTY	DATE 04-22-25	SIZE B	PART NO. 0431184851	REV. ~	
CHKD BY					
APPRVD BY		SCALE NONE	SHEET 1 of 1		