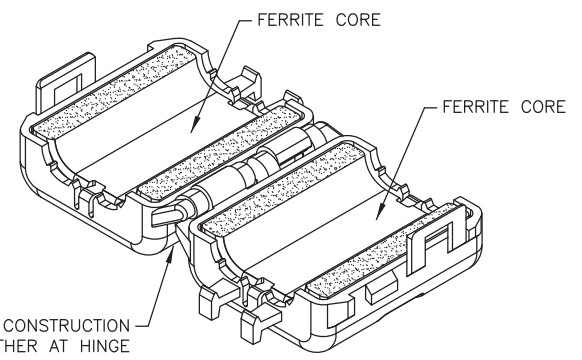
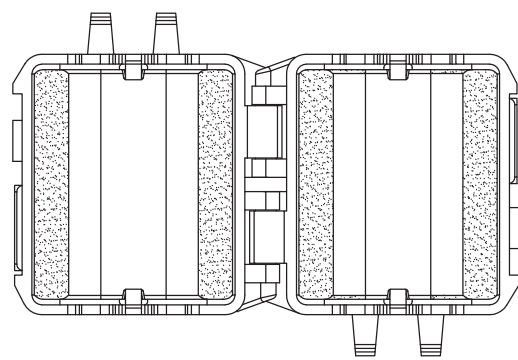
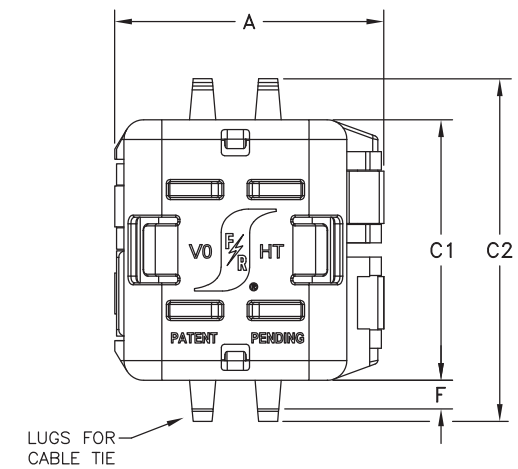


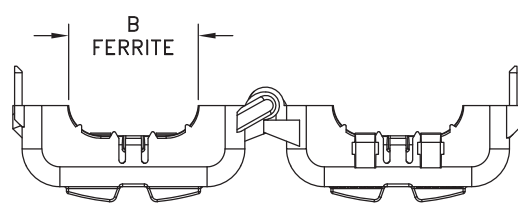
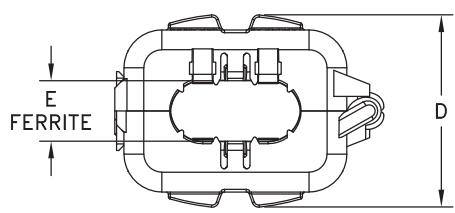
****Not all features are shown in this drawing.**
For more detailed information, please contact
your Fair-Rite representative.

UNCONTROLLED COPY WHEN PRINTED

| | | |
|------|------------|------|
| SIZE | PART NO. | REV. |
| B | 0431184651 | ~ |



TWO PIECE CONSTRUCTION
 SNAP TOGETHER AT HINGE



NOTES:

- 1 - COMPONENTS NEEDED FOR ASSEMBLY:
- QTY: 2, FR#2631184655 FR#31 MATERIAL SPLIT CORE
- QTY: 2, FR#0199184655 NYLON PA66 PLASTIC CASE (UL94-V0)

| | | | |
|-------------|---------|-----------|-------------|
| A | B (MIN) | C1 | C2 |
| 32.39/34.39 | 15.80 | 31.3/33.3 | 41.50/43.50 |
| 1.32 | 0.62 | 1.31 | 1.71 |
| D | E (MIN) | F | |
| 22.85/24.85 | 7.50 | 2.57/4.57 | |
| 0.94 | 0.30 | 0.14 | |

ELECTRICAL SPECIFICATIONS

| $\Sigma l/A(\text{mm}^{-1})$ | $l_e(\text{mm})$ | $A_e(\text{mm}^2)$ | $V_e(\text{mm}^3)$ | $L_0(\text{nH})/T^2$ | IMPEDANCE (OHMS) | | | $A_L(\text{nH})/T^2$ |
|------------------------------|------------------|--------------------|--------------------|----------------------|-----------------------------|----------|-----------------------|----------------------|
| | | | | | 10 MHz | 25 MHz | 100 MHz | |
| 0.542 | 60.6 | 112 | 6773 | 2.32 | TBD Min. | TBD Min. | TBD Min. | TBD Min. |
| | | | | | MEASURED ON E4991A/TF16092A | | MEASURED WITH 5 TURNS | |

BOLD NUMBERS ARE IN MILLIMETERS**, LIGHT NUMBERS ARE IN INCHES.

| | | | | | |
|---------------------------------|------------------|------------|------------------------|-----------|--|
| FAIR-RITE PRODUCTS CORP. | | | | | |
| TITLE ASSEMBLY, SNAP-IT CASE | | | | | |
| DRAWN BY J.CUSTY | DATE 04-22-25 | SIZE B | PART NO. 0431184651 | REV. ~ | |
| CHKD BY | | | | | |
| APPRVD BY | | SCALE NONE | SHEET 1 of 1 | | |