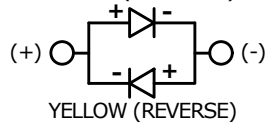


GREEN (FORWARD)



YELLOW (REVERSE)

SCHEMATIC

ON - (ON)

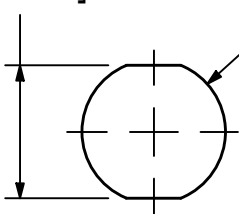
DPDT ILLUMINATED

( ) DENOTES MOMENTARY FUNCTION

NOTE:

1. ALL DIMENSIONS IN MM [INCH]
2. GENERAL TOLERANCE: X.X = ±0.4  
X.XX = ±0.25
3. TERMINAL NUMBERS FOR REF ONLY
- ▲ 4. CONTACT MATERIAL: SILVER
5. RATING: 3A 250 VAC cUL
6. ELECTRIC LIFE: 50,000 MAKE-AND-BREAK CYCLES AT FULL LOAD.
7. MECHANICAL LIFE: 1,000,000 CYCLES.
8. INSULATION RESISTANCE: 1,000 MΩ @ 500VDC MIN.
9. DIELECTRIC STRENGTH: 2,000 VAC MIN. FOR 1 MINUTE
10. CONTACT RESISTANCE: 50mΩ MAX. @ 1A 12VDC
11. OPERATING TEMP.: -20°C to 55°C
12. ▲ DENOTES CRITICAL PARAMETER.
- ▲ 13. LAMP VOLTAGE: 20mA 3V
14. TRAVEL: 3.2mm
15. ACTUATION FORCE: 3.5 ± 1.0 N
16. MOUNTING NUT TORQUE: 5-14 Nm
17. INGRESS PROTECTION: IP67, IK10
18. HARDWARE SUPPLIED: O-RING AND HEXNUT

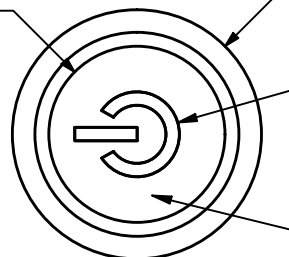
17.60<sup>+0.20</sup><sub>-.00</sub>  
[.69<sup>+0.008</sup><sub>-.000</sub> in]



PANEL CUT-OUT  
PANEL THICKNESS 1-10mm

Ø15.50  
[.61 in]

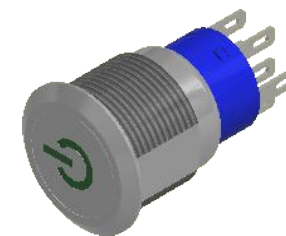
Ø19.00<sup>+0.20</sup><sub>-.00</sub>  
Ø.748<sup>+0.008</sup><sub>-.000</sub> in]



Ø22.00  
[.87 in]

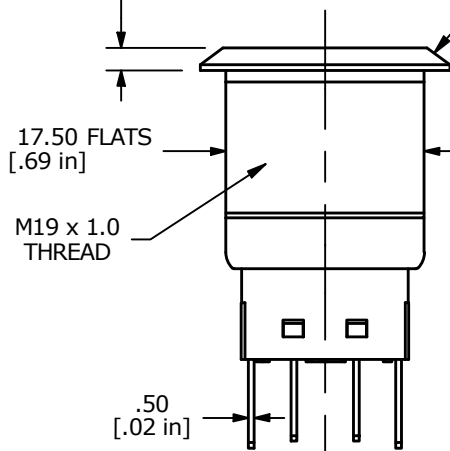
▲ POWER SYMBOL  
ILLUMINATION  
Bi-COLOR:  
GREEN / YELLOW

▲ ACTUATOR  
STAINLESS STEEL



2.0  
[.08 in]

▲ HOUSING  
STAINLESS STEEL



17.50 FLATS  
[.69 in]

M19 x 1.0  
THREAD

.50  
[.02 in]

5.50  
[.22 in]

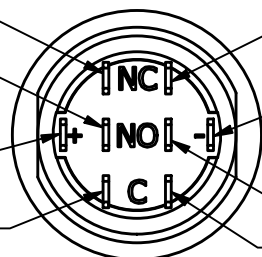
13.00  
[.51 in]

TERMINAL 3

TERMINAL 2

LED 1  
(+)

TERMINAL 1

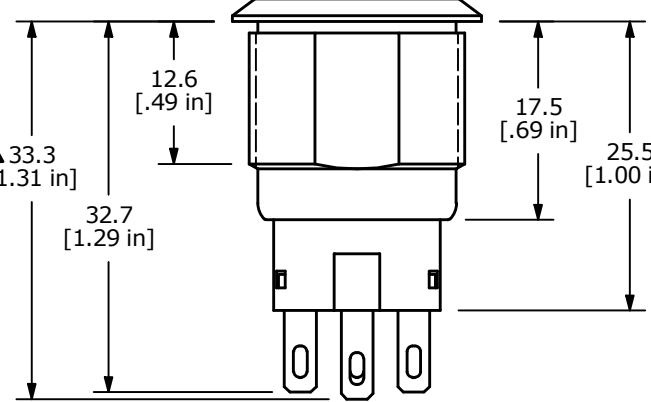


TERMINAL 6

LED 2  
(-)

TERMINAL 5

TERMINAL 4



▲ 33.3  
[1.31 in]

32.7  
[1.29 in]

12.6  
[.49 in]

17.5  
[.69 in]

25.5  
[1.00 in]

5.00  
[.197 in]

2.80  
[.110 in]

10.00  
[.394 in]

REV	ECO NO	DESCRIPTION	DATE	BY
C	ECO-100337	UPDATE PANEL CUTOUT	12/09/21	JS

OBJECT ID  
000026058

**E-SWITCH®**

TITLE **ULV4F2HSS5P1**

SCALE 3:2	DATE 4/18/2016	DR MJR	DWG T940057	REV C
--------------	-------------------	-----------	----------------	----------