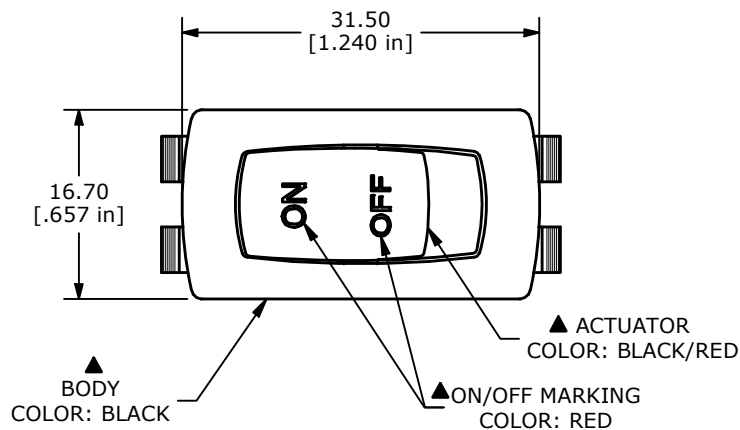
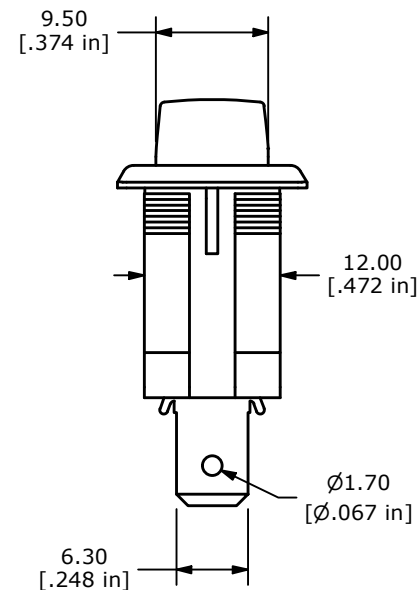
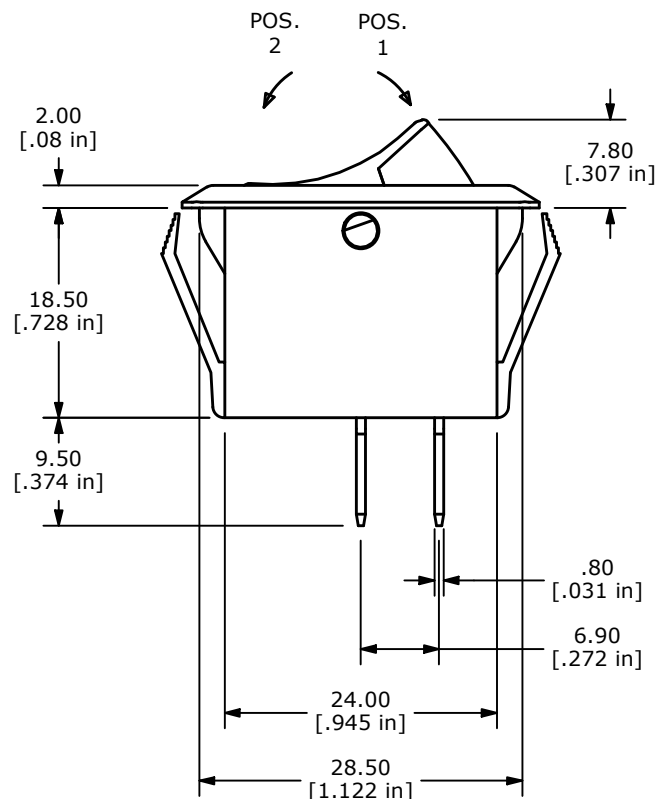
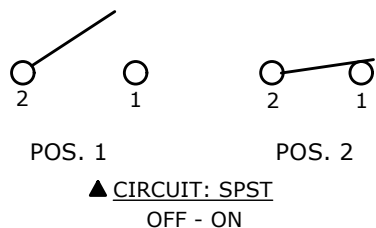


RECOMMENDED PANEL CUT-OUT



SWITCH FUNCTION	
POS. 1	POS. 2
OFF	ON
NONE	2-1



- NOTES:
1. ALL DIMENSIONS IN MM [INCH]
 2. GENERAL TOLERANCE: X.X = ±0.4
X.XX = ±0.25
 3. TERM. NOS. FOR REF. ONLY
 4. RATING: 20A 125VAC [cURus]
16A 250VAC [cURus]
1/3HP 125/250VAC [cURus]
3/4HP 125/250VAC [cURus]
 5. ELECTRICAL LIFE: 6,000 CYCLES MIN.
 6. INSULATION RESISTANCE: 100MΩ @ 500VDC
 7. CONTACT RESISTANCE: 20mΩ MAX.
 8. OPERATING TEMP: 0°C to 105°C [cURus]
 9. DIELECTRIC STRENGTH: 1,000V AC 1MIN
 10. ▲ DENOTES CRITICAL PARAMETER.
 - ▲ 11. LAMP VOLTAGE: NON-ILLUMINATED

REV	ECO NO	DESCRIPTION	DATE	BY
E	ECO-103917	PRINT UPDATE	03/09/26	JS



OBJECT ID
000000351

TITLE RSC441D1A83				
SCALE 3:2	DATE 10/27/2010	DR CAB	DWG 14-RSC441D1A83	REV E