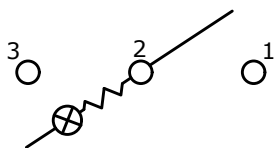
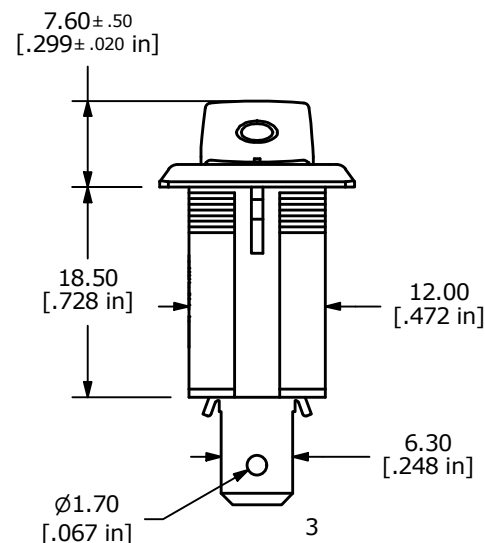
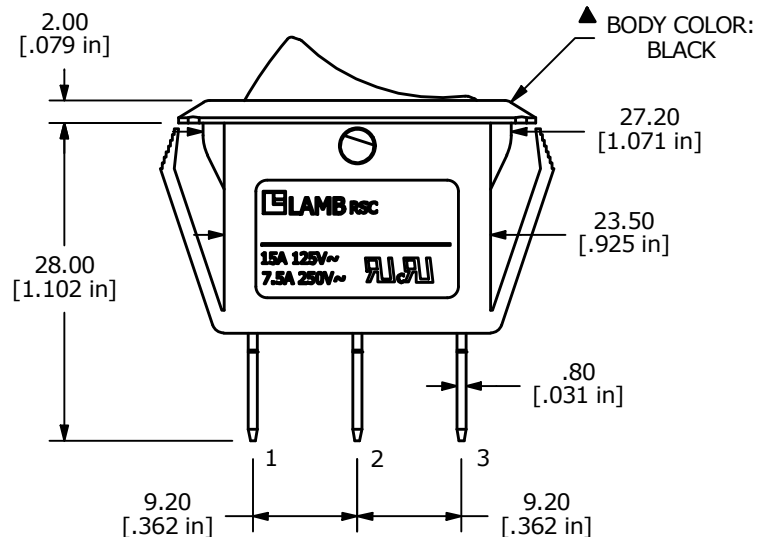
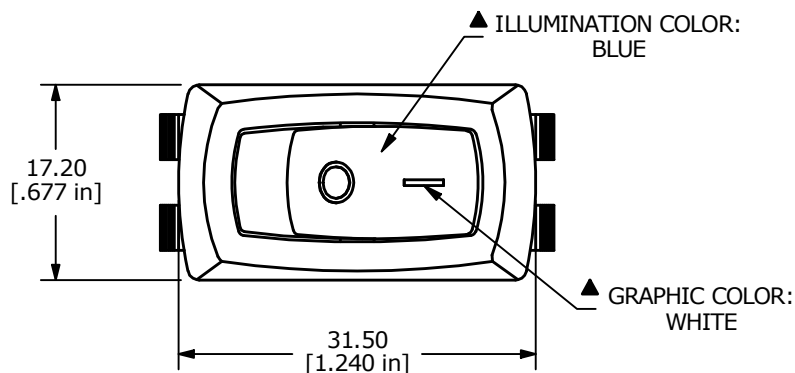


**SUGGESTED PANEL CUTOUT**



**CIRCUIT: SPST  
OFF - ON**



- NOTES:**
- ALL DIMENSIONS IN MM [INCH]
  - GENERAL TOLERANCE: X.X=±0.4  
X.XX=±0.25
  - TERM. NOS. FOR REF. ONLY
  - ▲** RATING: 15A @125VAC [cURus]
  - MATERIAL:**  
CONTACT SURFACE: SILVER PLATED COPPER  
TERMINAL: BRASS ALLOY w/SILVER PLATE
  - ELECTRICAL LIFE: 10,000 CYCLES MIN.
  - CONTACT RESISTANCE: 20 Milli-OHMS MAX.
  - OPERATING TEMP: -20°C TO 65°C [cURus, CSA]  
-20°C TO 105°C [cURus]
  - DIELECTRIC STRENGTH: >1,000VAC 1MIN
  - LAMP VOLTAGE: 250V
  - ▲** DENOTES CRITICAL PARAMETER.
  - ▲** LENS COLOR, BLUE

REV	ECO NO	DESCRIPTION	DATE	BY
D	ECO-100689	REMOVE VDE/ENEC RATING AND LOGO	02/03/22	JS



OBJECT ID  
000001617

TITLE RSC241C1021-147				
SCALE 3:2	DATE 11/8/2017	DR MJR	DWG 38-RSC241C1021147	REV D

THE INFORMATION CONTAINED IN THIS DOCUMENT IS PROPRIETARY TO E-SWITCH AND IS NOT TO BE COPIED OR TRANSFERRED