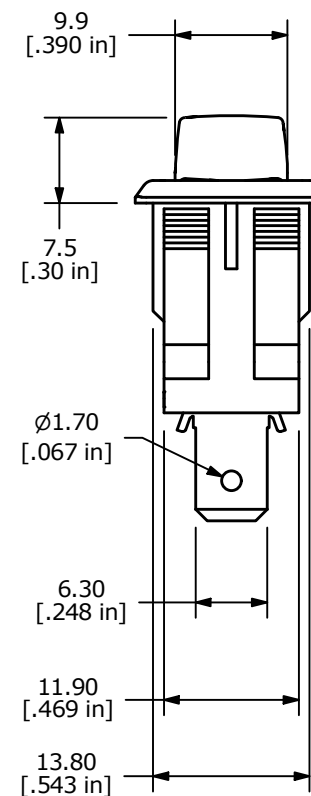
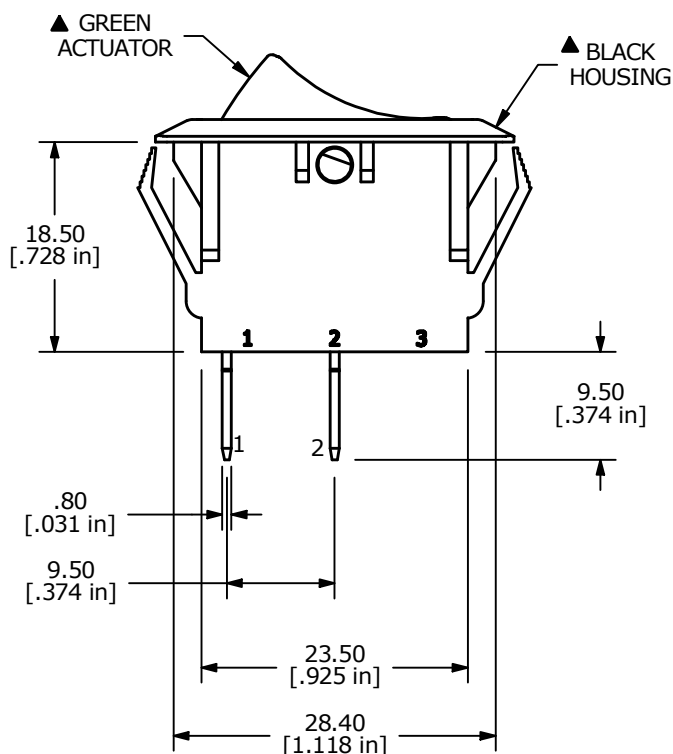
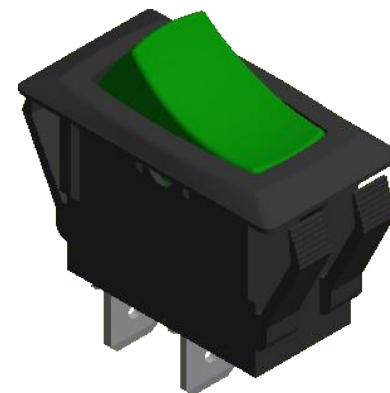
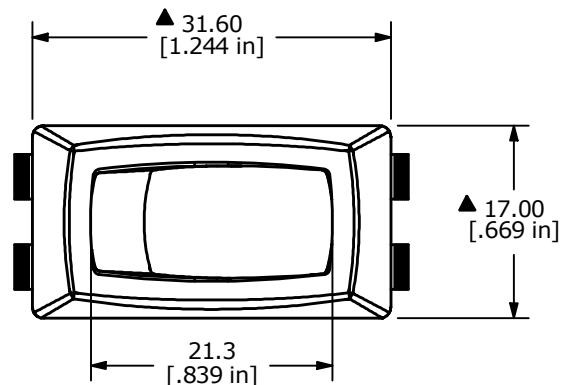


SWITCH FUNCTION	
POS. 1	POS. 2
OFF	ON
NONE	1-2



NOTES:

1. ALL DIMENSIONS IN MM [INCH]
2. GENERAL TOLERANCE: X.X=±0.4
X.XX=±0.25
3. TERM. NOS. FOR REF. ONLY
- ▲4. RATING: 20A @125VAC 3/4HP T105 [cURus]
15A @125VAC [cURus]
5. ELECTRICAL LIFE: 10,000 CYCLES MIN.
6. CONTACT RESISTANCE: 20 mΩ MAX.
7. OPERATING TEMP: -20°C TO 65°C [cURus]
-20°C TO 105°C [cURus]
8. DIELECTRIC STRENGTH: >1,000V AC 1MIN
9. INSULATION RESISTANCE: 100 MΩ @ 500VDC
10. ▲ DENOTES CRITICAL PARAMETER.

REV	ECO NO	DESCRIPTION	DATE	BY
E	ECO-100689	REMOVE VDE/ENEC RATING AND LOGO	02/03/22	JS



OBJECT ID
000001613

TITLE RSC141D1800				
SCALE	DATE	DR	DWG	REV
3:2	11/17/2014	RC	38-RSC141D1800	E