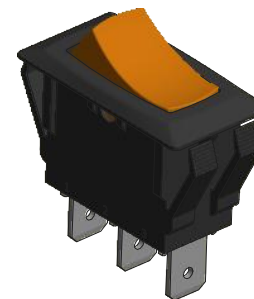
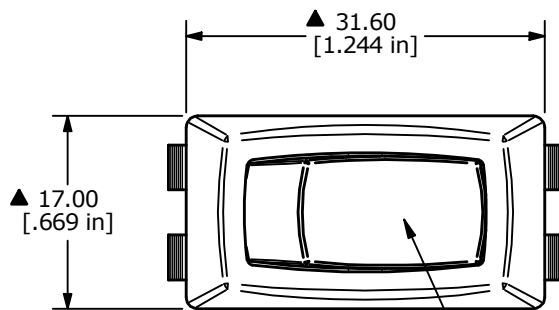
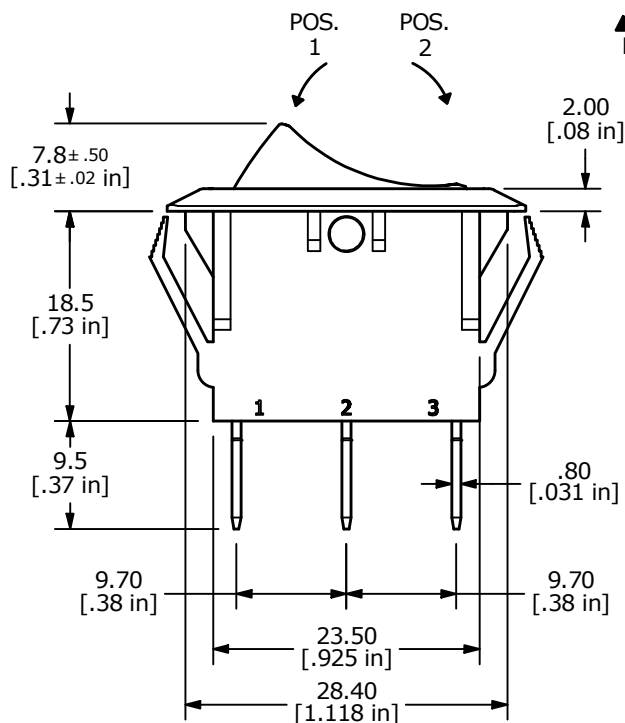
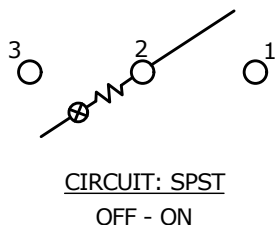


SUGGESTED PANEL CUTOUT

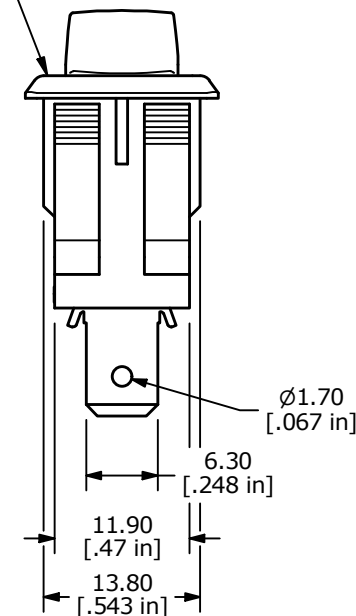


▲ ACTUATOR ILLUMINATION COLOR: AMBER

SWITCH FUNCTION	
POS. 1	POS. 2
OFF	ON
OPEN	2-1, 2-3



▲ BLACK HOUSING



NOTES:

1. ALL DIMENSIONS IN MM [INCH]
2. GENERAL TOLERANCE: X.X = ±0.4  
X.XX = ±0.25
3. TERM. NUMBERS FOR REF. ONLY
- ▲ 4. RATING: 15A @125VAC [cURus]
5. MATERIAL:  
CONTACT SURFACE: SILVER PLATED COPPER  
CIRCUIT TERMINAL: BRASS ALLOY w/SILVER PLATE
6. ELECTRICAL LIFE: 10,000 CYCLES MIN.
7. CONTACT RESISTANCE: 20 mΩ MAX.
8. INSULATION RESISTANCE: 1,000 MΩ MIN. @ 500VDC
9. OPERATING TEMP: -20°C to 105°C [cURus]
10. DIELECTRIC STRENGTH: >1,000V AC 1MIN
11. ▲ DENOTES CRITICAL PARAMETER.
- ▲ 12. LAMP VOLTAGE: 250V
- ▲ 13. LENS COLOR: AMBER

REV	ECO NO	DESCRIPTION	DATE	BY
B	ECO-100689	REMOVE VDE/ENEC RATING AND LOGO	02/03/22	JS



OBJECT ID  
000001611

TITLE RSC141C1000-127				
SCALE 3:2	DATE 3/12/2019	DR MW	DWG 38-RSC141C1000127	REV B