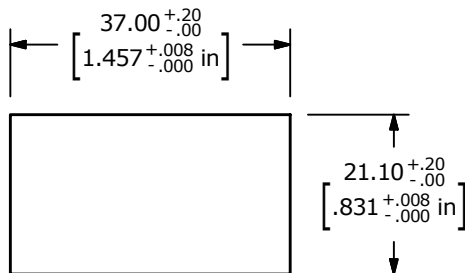
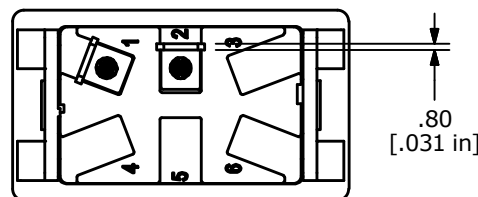
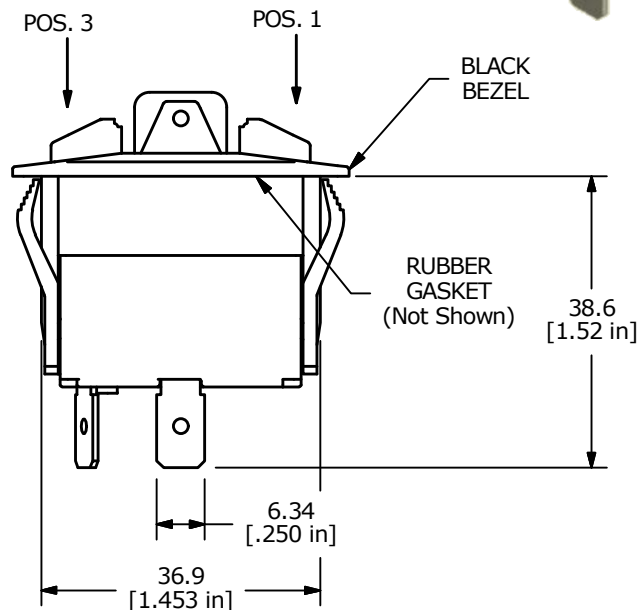
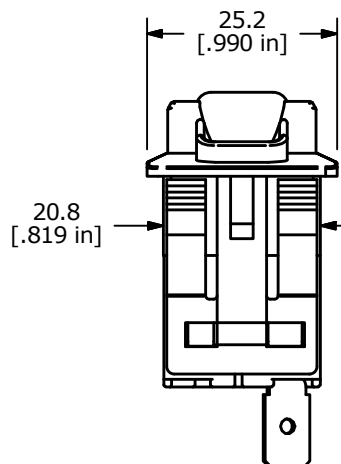
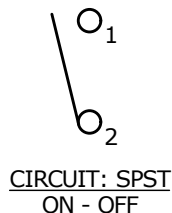
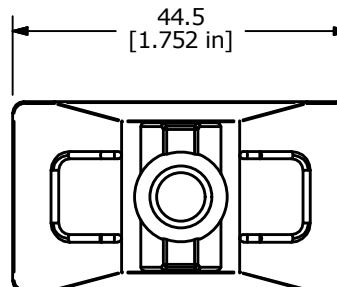


▲ SWITCH FUNCTION		
POS. 1	POS. 2	POS. 3
ON	N/A	OFF
1-2	N/A	NONE



RECOMMENDED
PANEL CUT-OUT



- NOTES:
1. ALL DIMENSIONS IN MM [INCH]
 2. GENERAL TOLERANCE: X.X = ±0.4
X.XX = ±0.25
 3. TERM. NOS. FOR REF. ONLY
 4. RATING: RATING: 20(8)A @ 125/250VAC, 50/60 Hz, μT55, cURus
 5. ELECTRICAL LIFE: 10,000 CYCLES
 6. MECHANICAL LIFE: 30,000 CYCLES
 7. CONTACT RESISTANCE: <20 MILLI-OHMS INITIAL
 8. DIELECTRIC STRENGTH: >1,500V AC 1MIN
 9. INSULATION RESISTANCE: >100 MOHMS @ 500VDC
 10. OPERATING TEMP: 0°C to 55°C
 11. LED VOLTAGE: NONE
 12. ▲ DENOTES CRITICAL PARAMETER.
 13. 2011/65/EU (ROHS) COMPLIANT



A	22612	New Release	11/30/16	MW
REV	PCR NO	DESCRIPTION	DATE	BY

TITLE R711FXX-SXXXNxBNNX				
SCALE 1:1	DATE 11/30/2016	DR MW	DWG C700036	REV A

THE INFORMATION CONTAINED IN THIS DOCUMENT IS PROPRIETARY TO E-SWITCH AND IS NOT TO BE COPIED OR TRANSFERRED