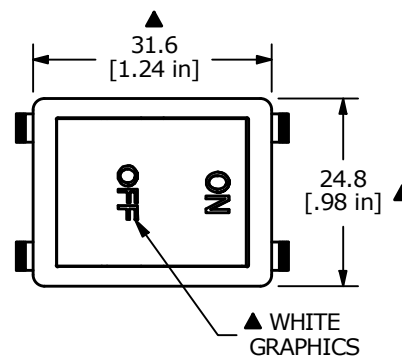
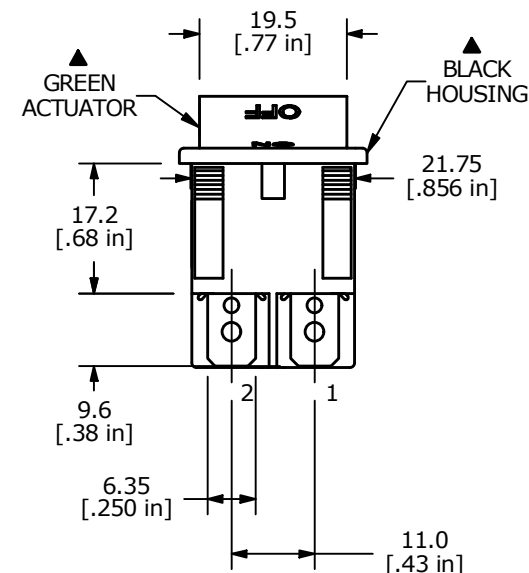
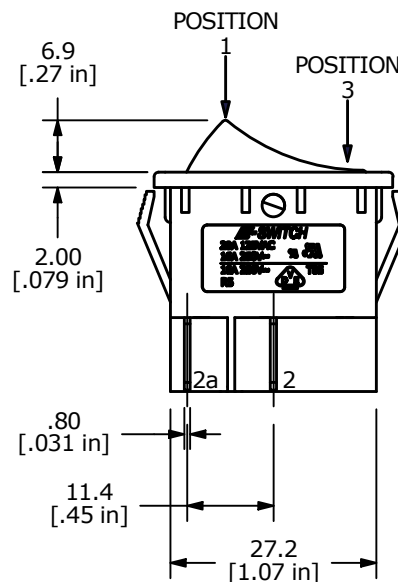
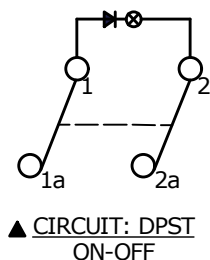


RECOMMENDED PANEL MOUNTING

PANEL THICKNESS	X
0.75-1.25	30.0-30.2
1.25-2.00	30.2-30.4
2.00-3.00	30.6-30.8



SWITCH FUNCTION		
POS. 1	POS. 2	POS. 3
OFF	NONE	ON
OPEN	N/A	1-1a, 2-2a



- NOTES:  
 1. ALL DIMENSIONS IN MM [INCH]  
 2. GENERAL TOLERANCE: X.X=±0.4  
 X.XX=±0.25

3. TERM. NOS. FOR REF. ONLY  
 ▲ 4. RATING: 20A @125VAC 3/4HP UL APPROVED  
 16A @250VAC 1HP UL APPROVED  
 16A @ 250VAC 1HP VDE APPROVED  
 5. ELECTRICAL LIFE: 10,000 CYCLES  
 6. MECHANICAL LIFE: 30,000 CYCLES  
 7. CONTACT RESISTANCE: <20 MILLI-OHMS INITIAL  
 8. DIELECTRIC STRENGTH: >1,500V AC 1MIN  
 9. INSULATION RESISTANCE: >1000MOHMS  
 10. OPERATING TEMP: TERMINAL SIDE: -20°C to 85°C  
 ROCKER SIDE: -20°C to 55°C  
 ▲ 11. LAMP: NEON 250V AC  
 12. ▲ DENOTES CRITICAL PARAMETER.

REV	ECO NO	DESCRIPTION	DATE	BY
F	ECO-101575	PRINT UPDATE	01/30/23	JS

OBJECT ID  
000016440

**E-SWITCH®**

TITLE **R5BBLKGRNIF2**

SCALE 1:1	DATE 3/21/2011	DR BMA	DWG M050209	REV F
--------------	-------------------	-----------	----------------	----------