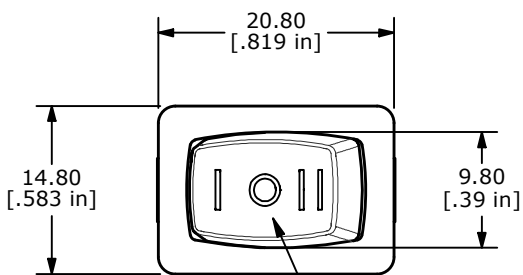
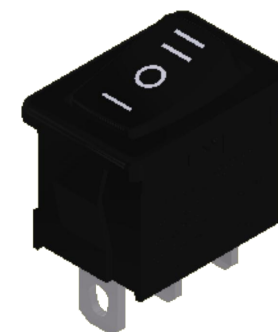


RECOMMENDED PANEL MOUNTING

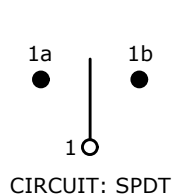
PANEL THICKNESS	X
0.75-1.25	19.20-19.30
1.25-2.00	19.30-19.40
2.00-3.00	19.50-19.60



- ▲ HOUSING COLOR: BLACK
- ▲ ACTUATOR COLOR: BLACK with
- ▲ I/O/II SYMBOL COLOR: WHITE



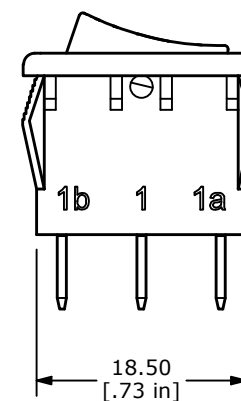
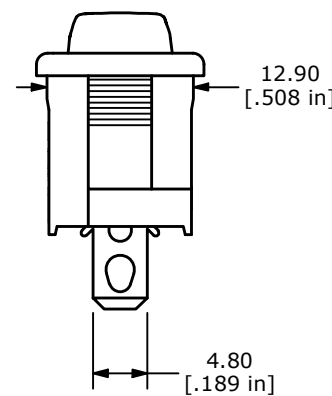
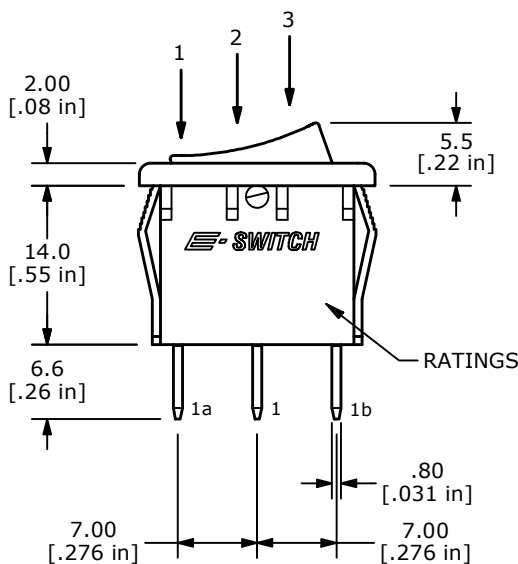
SWITCH FUNCTION		
POS. 1	POS. 2	POS. 3
ON	OFF	(ON)
1-1b	OPEN	1-1a



MOMENTARY=(ON)

NOTES:

1. ALL DIMENSIONS IN MM [INCH]
2. GENERAL TOLERANCE: X.X = ±0.4  
X.XX = ±0.25
3. TERM. NOS. FOR REF. ONLY
4. RATING: 15A @125VAC [cURus]  
10A @250VAC [cURus]  
6A @250VAC [VDE]
- ▲ 5. LAMP VOLTAGE: NO LAMP
6. MATERIAL:  
CONTACT SURFACE: SILVER ALLOY  
TERMINAL: COPPER ALLOY w/SILVER PLATE
7. ELECTRICAL LIFE: 10,000 CYCLES
8. CONTACT RESISTANCE: <20 MILLI-OHMS INITIAL
9. DIELECTRIC STRENGTH: >1,500V AC 1 MIN
10. ▲ DENOTES CRITICAL PARAMETER.



REV	ECO NO	DESCRIPTION	DATE	BY
C	ECO-103328	UPDATE NOTE 4	03/27/25	JS

OBJECT ID  
000016614

**E-SWITCH®**

TITLE R1966HBLKBLKBF

SCALE	DATE	DR	DWG	REV
1.5:1	10/30/2018	MW	M304201	C