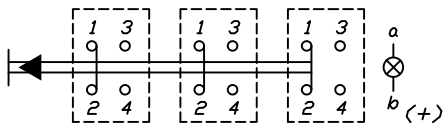


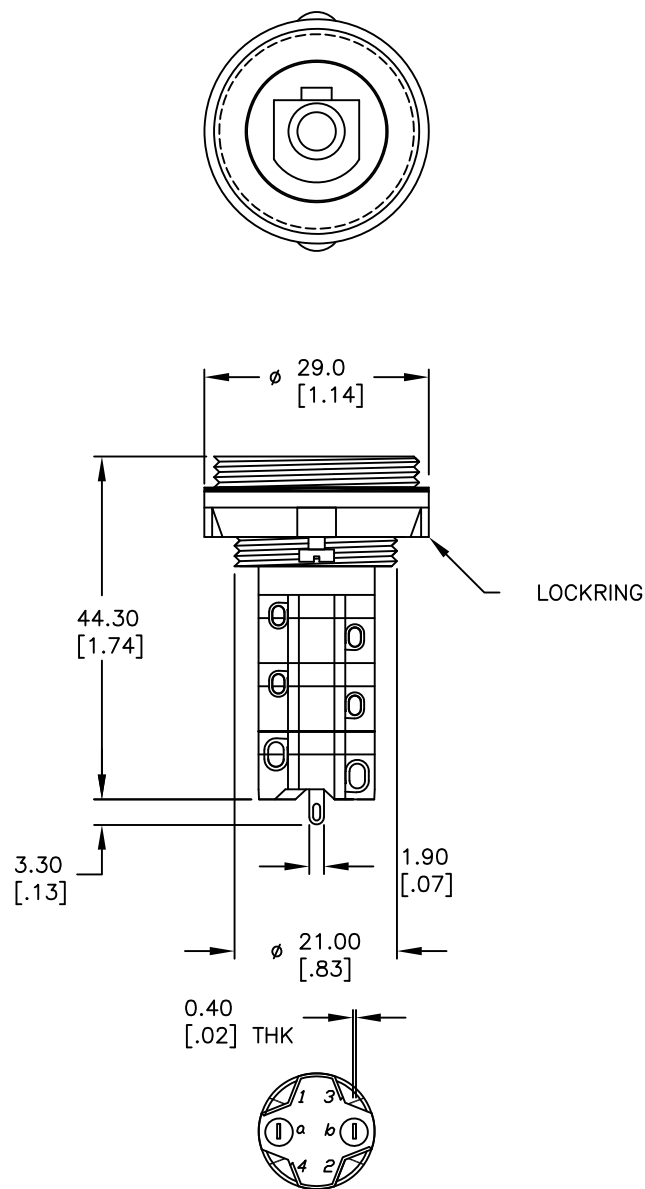
RECOMMENDED PANEL MOUNTING



3PST CONTACT CONFIGURATION

NOTES:

1. ALL DIMENSIONS IN MM [INCH]
2. GENERAL TOLERANCE: X.X=±0.4  
X.XX=±0.25
3. RATINGS: 5A@250V AC,  
8A@125V AC
4. CONTACT MATERIAL: COPPER ALLOY W/Gold Plating
5. MECHANICAL LIFE: >100,000 Cycles
6. ELECTRICAL LIFE: >50,000 Cycles
7. INSULATION RESISTANCE: >1000 MILLI-OHMS
8. OPERATING TEMP: -20°C to 55°C
9. HARDWARE SUPPLIED: LOCK RING, GASKET



**E-SWITCH®**

TITLE				
LAS DA U1 30 (MOMENTARY)				
SCALE	DATE	DR	DWG	REV
1:1	--	--	F060612	A

A	11899	RELEASED FOR PRODUCTION	10/17/02	CJB
REV.	ECN No.	DESCRIPTION	DATE	CHKD

THE INFORMATION CONTAINED IN THIS DOCUMENT IS PROPRIETARY TO E-SWITCH AND IS NOT TO BE COPIED OR TRANSFERRED