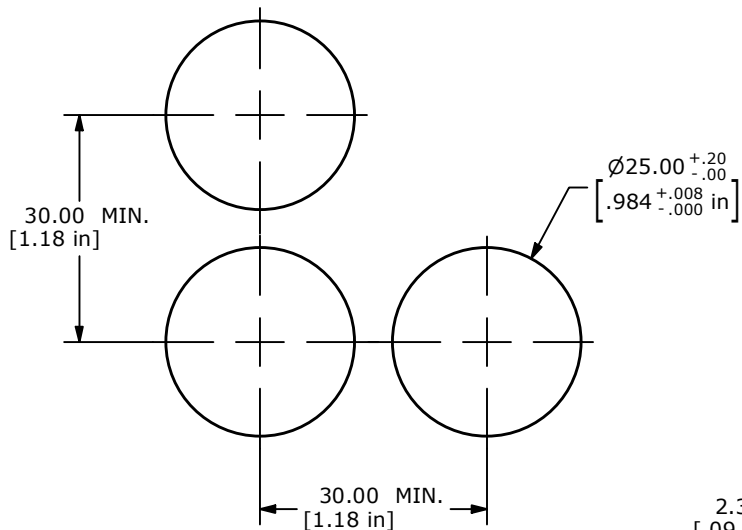
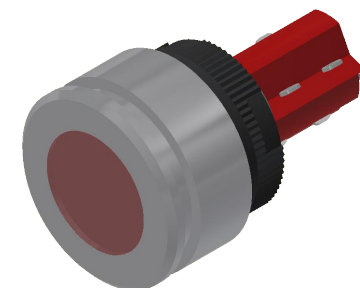
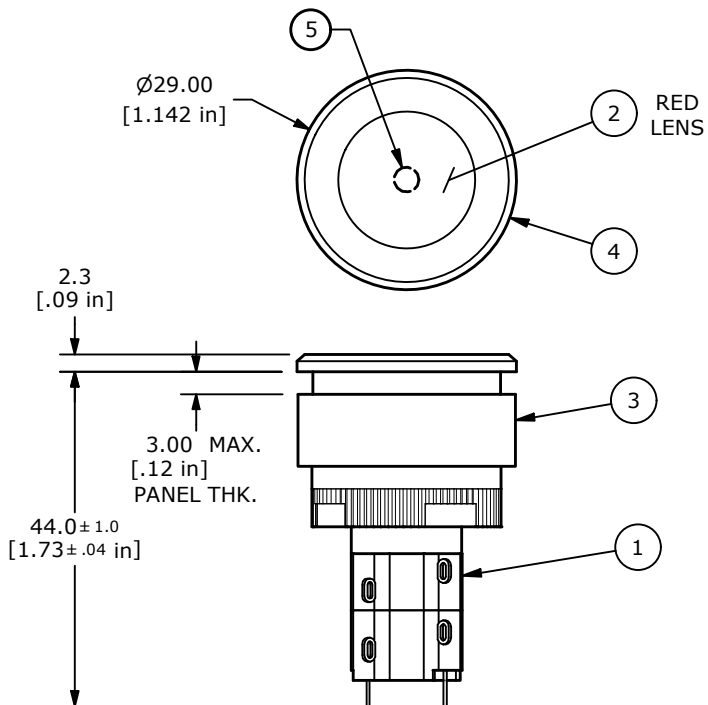


Parts List				
ITEM	QTY	PART NUMBER	DESCRIPTION	
1	1	F060603	LASEEV12	
2	1	F060204	25mm RED LENS	
3	1	F051705	29mm FLUSH MOUNT RETAINER	
4	1	F051704	29mm FLUSH MOUNT BEZEL	
5	1	F050420	LED 12VDC RED	

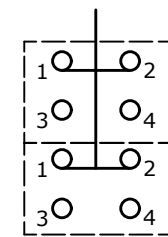
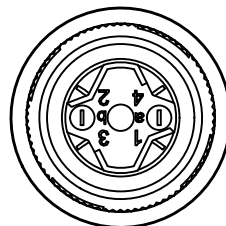


RECOMMENDED PANEL MOUNTING



NOTES:

1. ALL DIMENSIONS IN MM [INCH].
2. GENERAL TOLERANCE: X.X = ± 0.4
X.XX = ± 0.25
3. TERM. NOS. FOR REF. ONLY.
4. RATING: 5A @250VAC
8A @125VAC
0.2A @250VDC
6A @24VDC
5. INSULATION: 1,000 MΩ MIN.
6. DIELECTRIC STRENGTH: 2000V FOR 1 MIN.
7. SEALED TO IP65
8. TRAVEL: 3.0mm FULL TRAVEL, 2.0mm LATCHING
9. ELECTRICAL LIFE: >50,000 CYCLES
10. OPERATING TEMP: -25C to +55C
11. PANEL THICKNESS: 0.5mm to 3.0mm
- ▲ 12. LAMP VOLTAGE: LED 12V DC RED
13. ▲ DENOTES CRITICAL PARAMETER.
14. PACKAGE: BOX/10 PCS PER.



a ○ L ○ b (+)

▲ DPDT CONTACT CONFIGURATION

REV	ECO NO	DESCRIPTION	DATE	BY	OBJECT ID
C	ECO-102356	print update	11/20/23	MW	000028085
TITLE					LASEEV32JREDRED
SCALE		DATE	DR	DWG	REV
1:1		7/15/2014	EDP	XF0893P	C