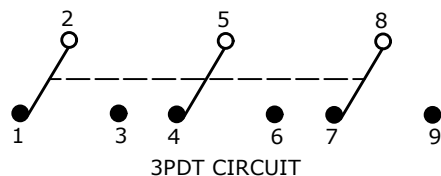
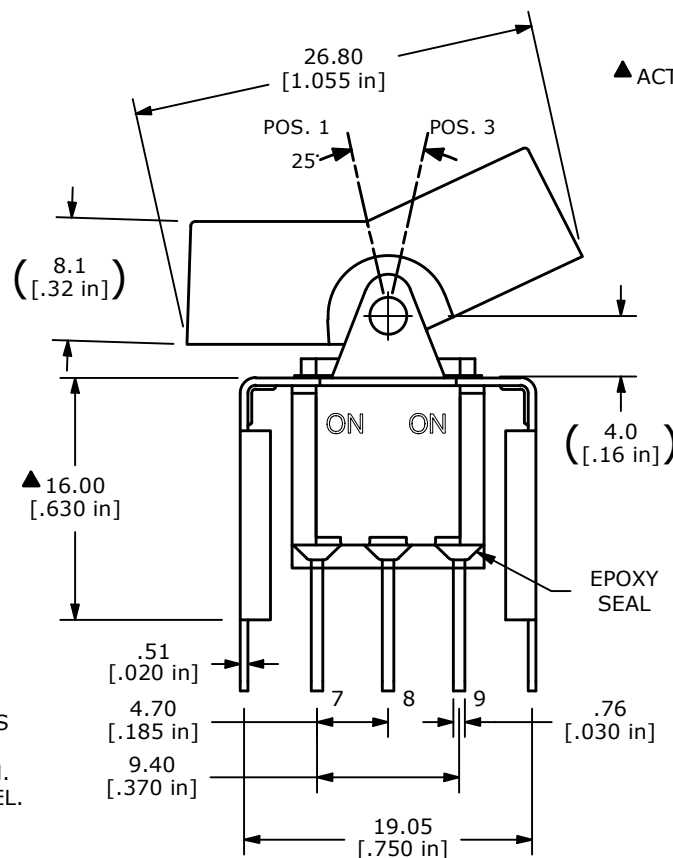
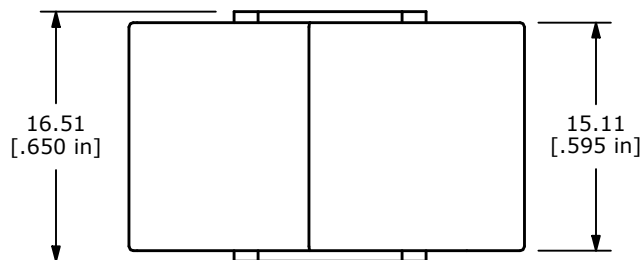


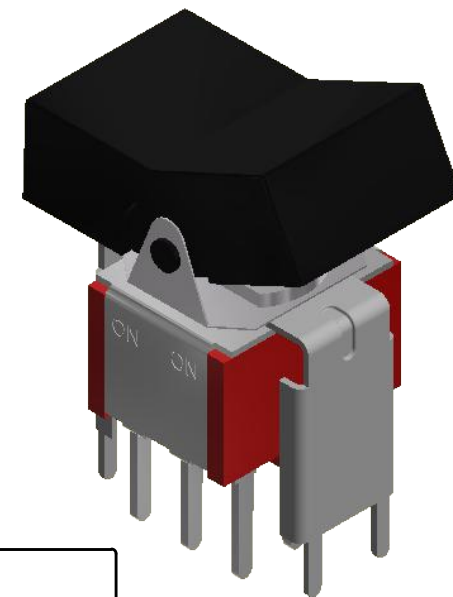
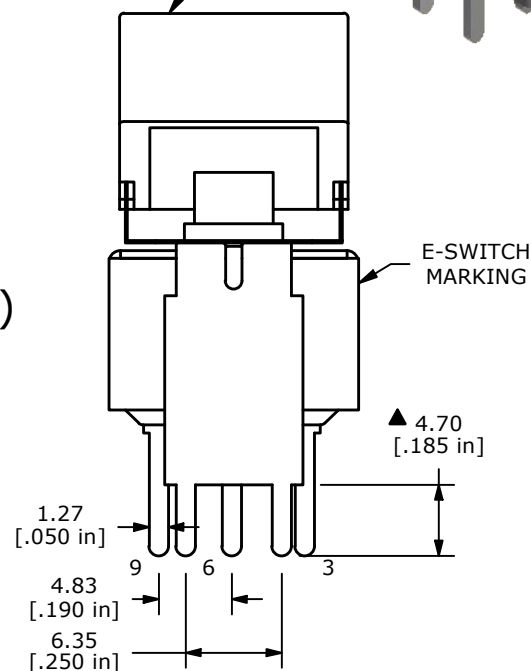
▲ SWITCH FUNCTION		
POS. 1	POS. 2	POS. 3
ON	NONE	ON
2-3,5-6,8-9	N/A	2-1,5-4,8-7



- NOTE:
1. ALL DIMENSIONS IN MM [INCH]
 2. GENERAL TOLERANCE: X.X=±0.4
X.XX=±0.25
 3. TERMINAL NUMBERS FOR REF ONLY
 - ▲ 4. PLATING MATERIAL: SILVER
 5. RATING: 2 AMPS @250VAC
5 AMPS @120VAC OR 28VDC
 6. ELECTRIC LIFE: 40,000 MAKE-AND-BREAK CYCLES AT FULL LOAD.
 7. INSULATION RESISTANCE: 1,000 MEGA-OHM MIN.
 8. DIELECTRIC STRENGTH: 1,000 V RMS @SEA LEVEL.
 9. OPERATING TEMP.: -40°C TO 85°C
 10. ▲ DENOTES CRITICAL PARAMETER.



▲ ACTUATOR COLOR: BLACK



REV	ECO NO	DESCRIPTION	DATE	BY
B	ECO-101996	OPERATING TEMP FROM ..-30°C.. TO ..-40°C..	06/13/23	MR



OBJECT ID
000025075

TITLE 3003P1J3BLKVS5QE				
SCALE 2:1	DATE 12/28/2006	DR TN	DWG T311091	REV B