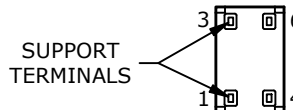
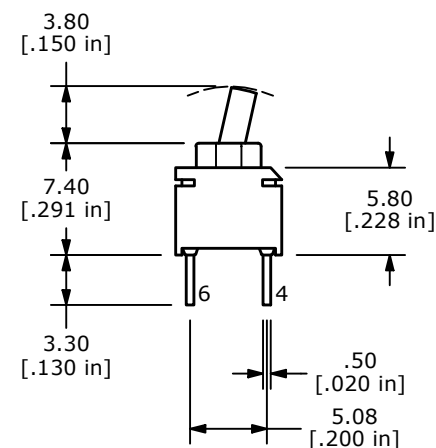
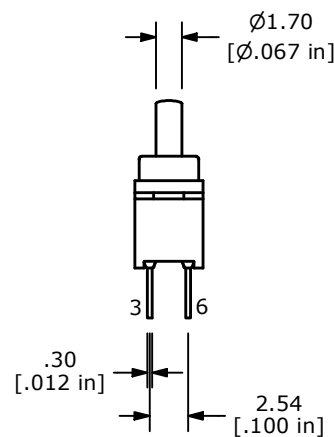
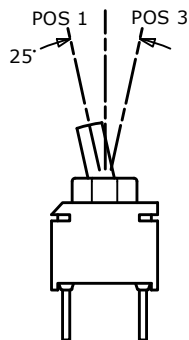
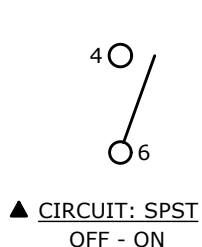


▲ SWITCH FUNCTION		
POS. 1	POS. 2	POS. 3
OFF	NONE	ON
OPEN	N/A	4-6



- NOTE:
1. ALL DIMENSIONS IN MM [INCH]
 2. GENERAL TOLERANCE: X.X = ±0.4
X.XX = ±0.25
 3. TERMINAL NUMBERS FOR REF ONLY
 - ▲ 4. CONTACTS/TERMINALS: GOLD PLATED OVER NICKEL PLATED
 5. RATING: 0.4 VA max. @ 20V AC or DC Max.
 6. CONTACT RESISTANCE: 100m OHM Max.
 7. ELECTRICAL LIFE: 6,000 CYCLES
 8. MECHANICAL LIFE: 40,000 CYCLES
 9. INSULATION RESISTANCE: 500M OHM min.
 10. DIELECTRIC STRENGTH: 500 V RMS @ SEA LEVEL
 11. OPERATING TEMP.: -30°C to 85°C
 12. ▲ DENOTES CRITICAL PARAMETER.
 13. SEAL RATING: IP67

REV	ECO NO	DESCRIPTION	DATE	BY	E-SWITCH®			OBJECT ID	
I	ECO-103941	Print update	02/26/26	MW				000024889	
					TITLE 200USP9T1A1M2RE				
					SCALE 2:1	DATE 12/2/2010	DR BMA	DWG T250008	REV I