

THIS DRAWING IS UNPUBLISHED.

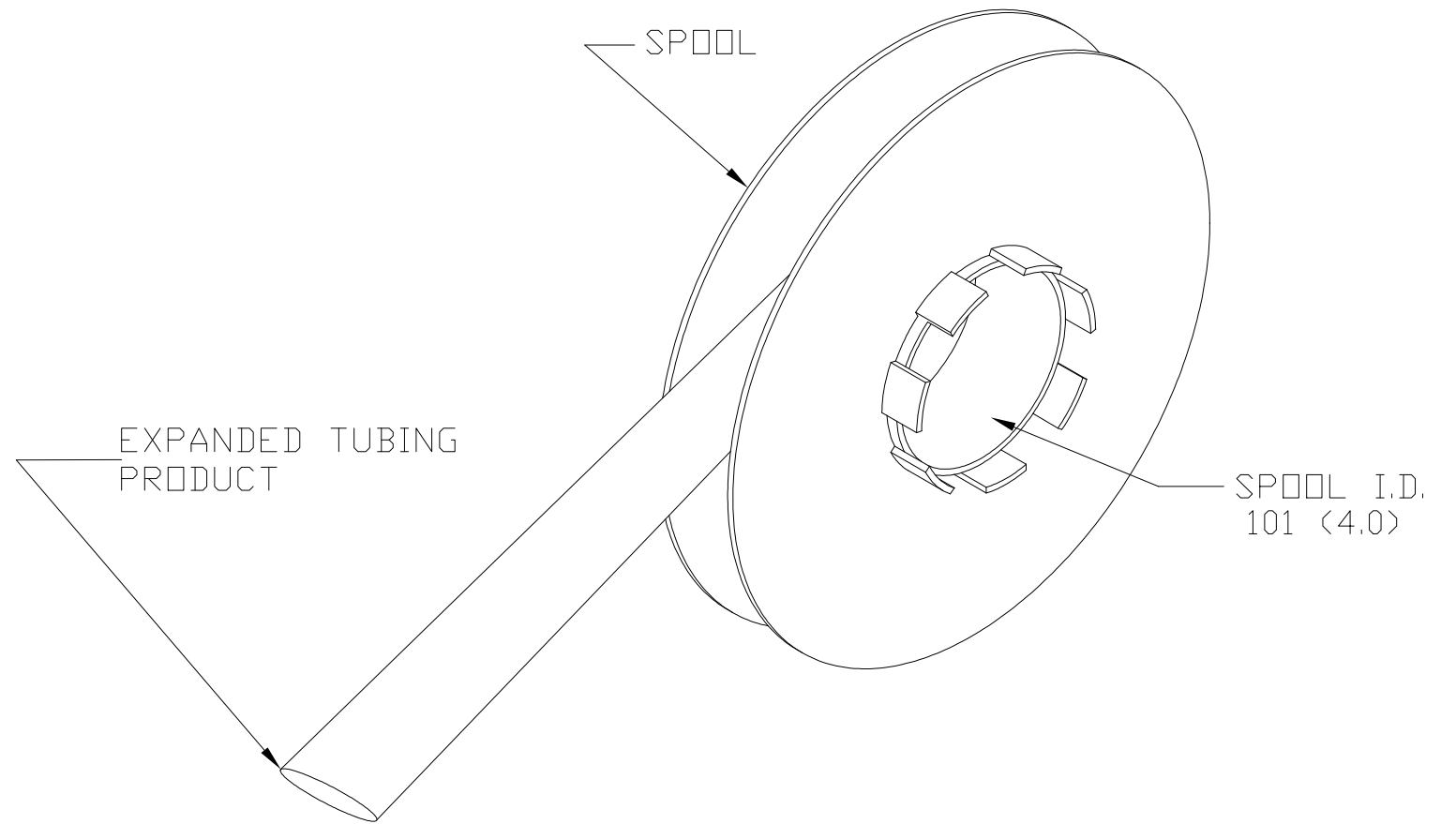
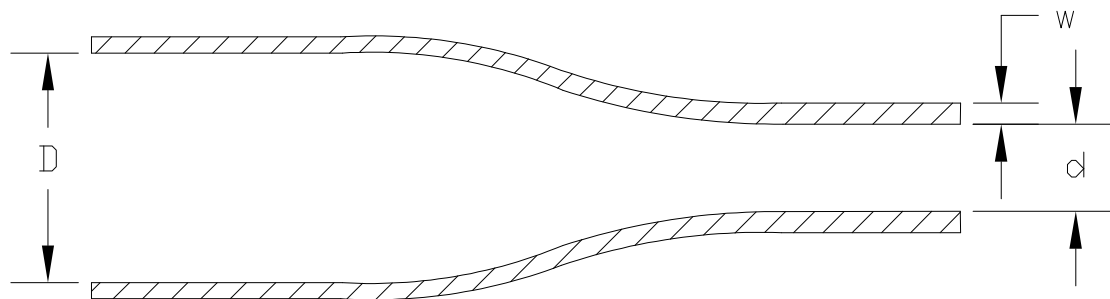
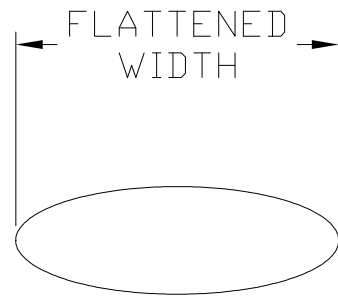
RELEASED FOR PUBLICATION

ALL RIGHTS RESERVED.

© COPYRIGHT 2020 TE Connectivity Ltd.

REVISIONS

| P | LTR | DESCRIPTION              | DATE      | DWN | APVD |
|---|-----|--------------------------|-----------|-----|------|
|   | 3   | TABLE DIMENSIONS UPDATED | 15APR2026 | GSK | AK   |



| Product Size                              | 3/32           | 1/8            | 3/16           | 1/4             | 3/8             | 1/2             | 3/4             | 1               | 1-1/2           | 2               |
|---|----------------|----------------|----------------|-----------------|-----------------|-----------------|-----------------|-----------------|-----------------|-----------------|
| "D" Minimum Supplied I.D.                 | 2.40<br>(.094) | 3.20<br>(.126) | 4.80<br>(.189) | 6.40<br>(.252)  | 9.50<br>(.374)  | 12.7<br>(.500)  | 19.05<br>(.750) | 25.4<br>(1.00)  | 38.1<br>(1.50)  | 50.8<br>(2.00)  |
| "d" Maximum Recovered I.D.                | 0.79<br>(.031) | 1.07<br>(.042) | 1.57<br>(.062) | 2.11<br>(.083)  | 3.18<br>(.125)  | 4.22<br>(.166)  | 6.35<br>(.250)  | 8.46<br>(.333)  | 19.05<br>(.750) | 25.4<br>(1.00)  |
| "w" Recovered Wall Thickness ±0.08 (.003) | 0.58<br>(.023) | 0.58<br>(.023) | 0.58<br>(.023) | 0.58<br>(.023)  | 0.61<br>(.024)  | 0.61<br>(.024)  | 0.61<br>(.024)  | 0.64<br>(.025)  | 0.51<br>(.020)  | 0.64<br>(.025)  |
| Minimum Sleeve Flattened Width            | 4.45<br>(.175) | 5.84<br>(.230) | 8.00<br>(.315) | 10.70<br>(.420) | 15.50<br>(.610) | 20.40<br>(.803) | 30.50<br>(1.20) | 40.40<br>(1.59) | 60.30<br>(2.37) | 80.00<br>(3.15) |

NOTES:

1. ALL DIMENSIONS ARE IN MILLIMETERS (inches).
2. ONE SPLICE PER SPOOL PERMITTED. BOX IS MARKED WHERE APPLICABLE

|  |  |   |           |   |                    |
|--|--|---|-----------|---|--------------------|
| THIS DRAWING IS A CONTROLLED DOCUMENT. |  | DWN<br>AFK<br>CHK<br>-  | 12FEB2020 | TE Connectivity                         |                    |
| DIMENSIONS: mm<br>                     |  | TOLERANCES UNLESS OTHERWISE SPECIFIED:<br>0 PLC ± -<br>1 PLC ± -<br>2 PLC ± -<br>3 PLC ± -<br>4 PLC ± -<br>ANGLES ± - |           |   |                    |
| MATERIAL<br>CROSSLINKED POLYOLEFIN     |  | FINISH<br>-   |           | NAME<br>TMS-CT<br>OUTSIDE PRINTER SPOOL |                    |
|  |  | PRODUCT SPEC<br>RW-2511   |           | APPLICATION SPEC<br>-                   |                    |
|  |  | WEIGHT<br>VARIOUS   |           | SIZE<br>A3                              | CAGE CODE<br>0198G |
|  |  | CUSTOMER DRAWING  |           | DRAWING NO<br>C-MCD170011               | RESTRICTED TO<br>- |
|  |  | SCALE<br>-  |           | SHEET<br>1 OF 1                         | REV<br>3           |