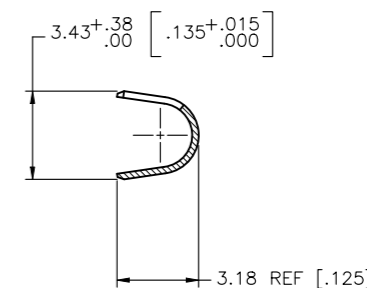
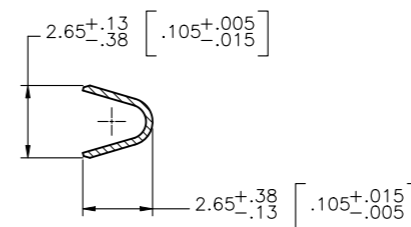
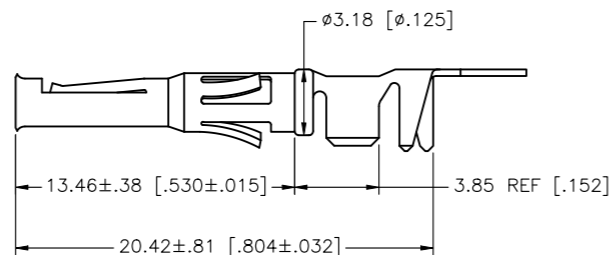
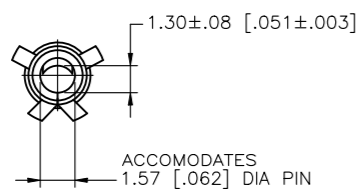
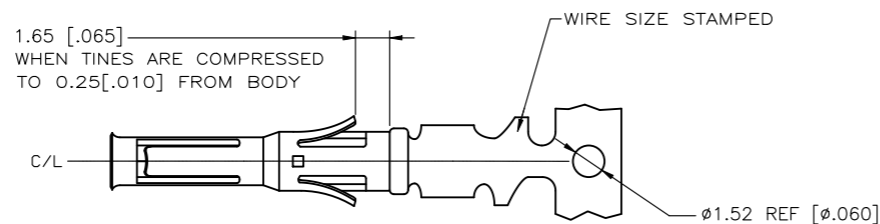
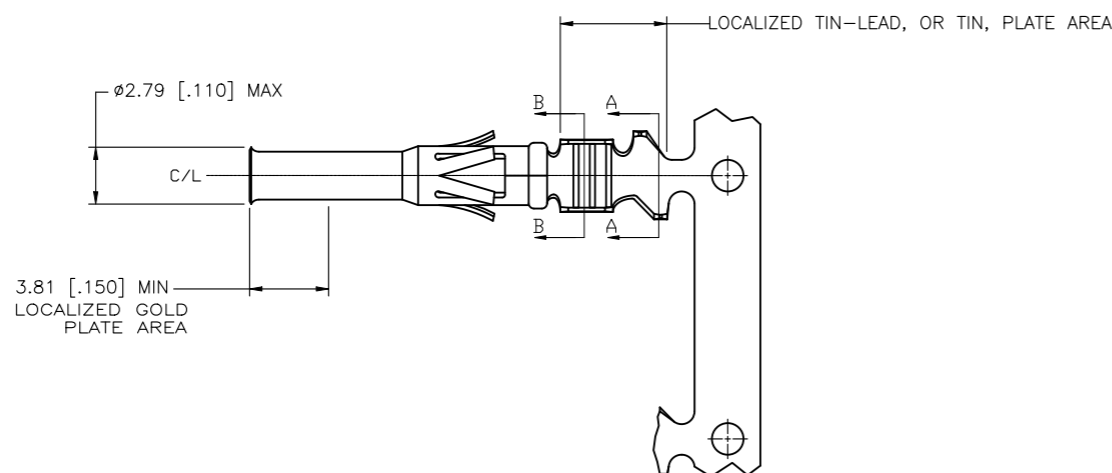


REVISIONS					
P	LTR	DESCRIPTION	DATE	DWN	APVD
	E	REVISED PER ECR-24-213591	28JUN2024	RK	FJS



SECTION B-B

SECTION A-A



- WIRE RANGE 22-18 AWG.
 - INSULATION RANGE 2.79-1.27 [.110-050] DIA.
 - FOR LOOSE PIECE PART SEE DWG 66592.
- A** 0.76µm [.000030] MIN PRECIOUS METAL PLATE IN LOCALIZED GOLD PLATE AREA, 1.27µm [.000050] MIN TIN-LEAD IN LOCALIZED TIN-LEAD PLATE AREA, BOTH OVER 1.27µm [.000050] MIN NICKEL. CONFORMS TO THE REQUIREMENTS OF TE PRODUCT SPEC 108-10042, BASED ON EIA-364-1000.01 (CONTROLLED ENVIRONMENT APPLICATIONS).
- B** TIN PLATED.
- C** GOLD PLATING PER MIL-G-45204, TIN PER MIL-T-10727 AND NICKEL PER QQ-N-290.
- D** 0.76µm [.000030] MIN PRECIOUS METAL PLATE IN LOCALIZED GOLD PLATE AREA, 1.27µm [.000050] MIN TIN IN LOCALIZED TIN PLATE AREA, BOTH OVER 1.27µm [.000050] MIN NICKEL. CONFORMS TO THE REQUIREMENTS OF TE PRODUCT SPEC 108-10042, BASED ON EIA-364-1000.01 (CONTROLLED ENVIRONMENT APPLICATIONS).

OBSOLETE	REVERSE REELED FOR MINI-APPLICATOR	A	66582-7
	REVERSE REELED FOR MINI-APPLICATOR	A 4	66582-4
	-	A 4	66582-3
	REVERSE REELED FOR MINI-APPLICATOR	A 5	66582-2
	-	A 5	66582-1
	DESCRIPTION	FINISH	

THIS DRAWING IS A CONTROLLED DOCUMENT.		DWN V. FURLER 15MAY2003	STE TE Connectivity	
DIMENSIONS: mm [INCHES]		CHK G. STEINHAUER 16MAY03		
TOLERANCES UNLESS OTHERWISE SPECIFIED:		APVD G. STEINHAUER 16MAY03	NAME CONTACT, SOCKET, STRIP, TYPE VI, MULTIMATE	
0 PLC ± -		PRODUCT SPEC	SIZE	
1 PLC ± -		APPLICATION SPEC	CAGE CODE	DRAWING NO
2 PLC ± 0.13 [.005]		WEIGHT	RESTRICTED TO	
3 PLC ± -		CUSTOMER DRAWING	A3 00779 C-66582	
4 PLC ± -		SCALE	8:1	
ANGLES ± -		SHEET	1 OF 1	
FINISH		REV	E	
BRASS MIL-C-50		SEE TABLE A		