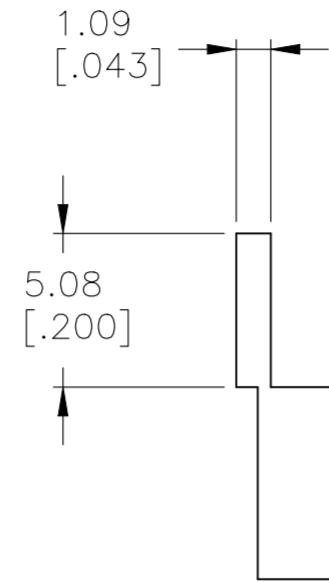
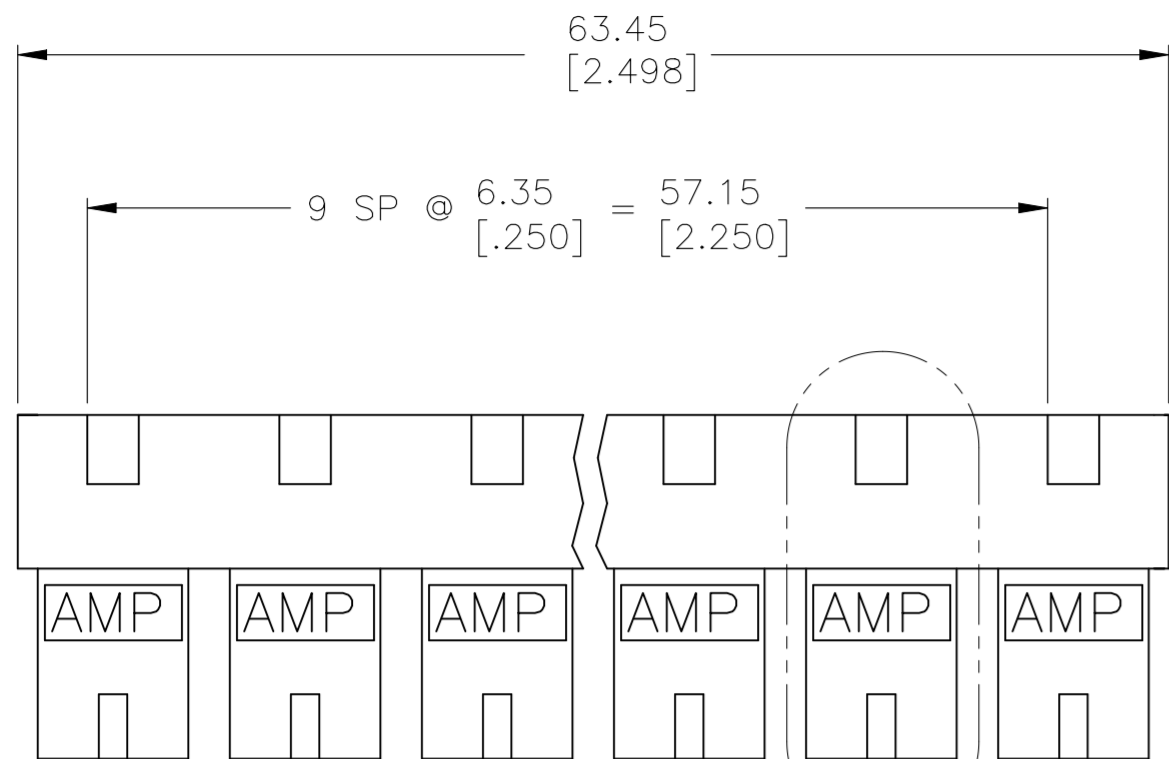


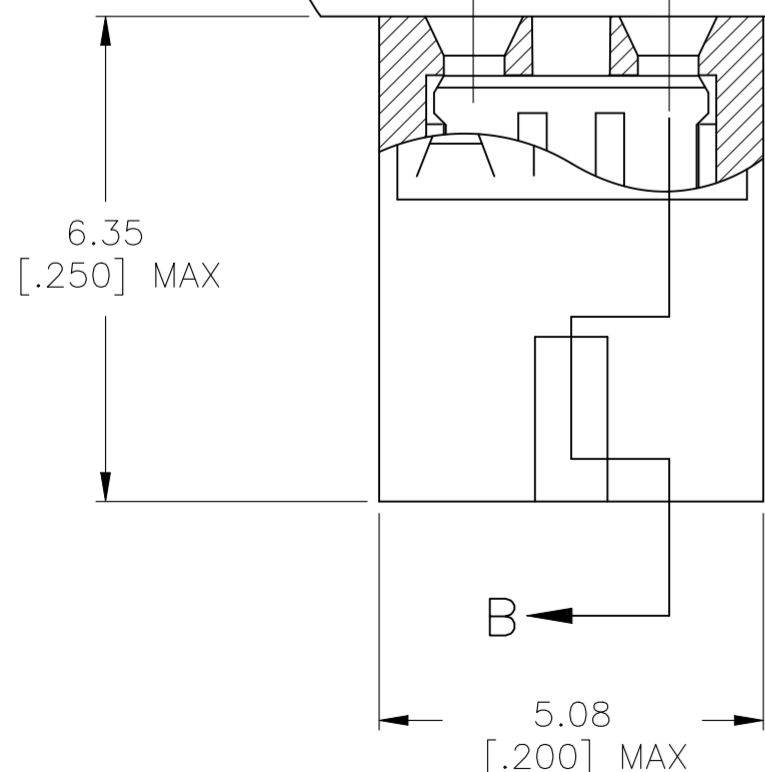
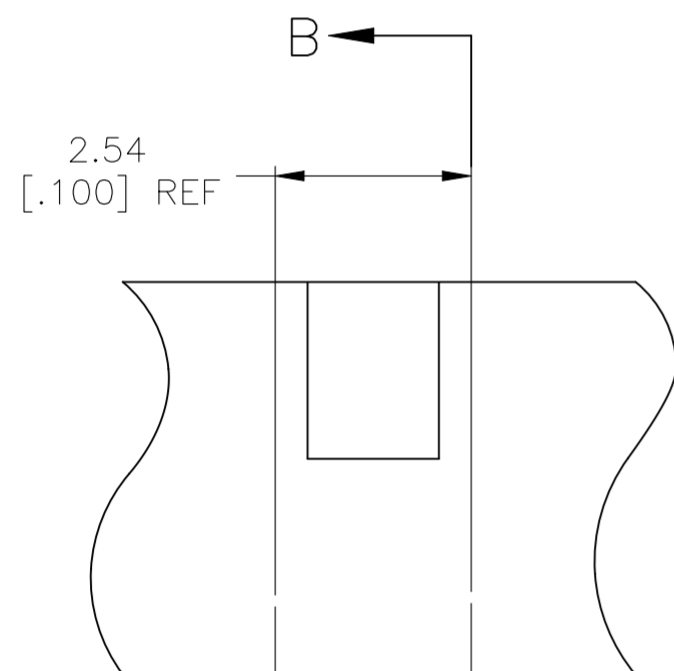
REVISIONS					
P	LTR	DESCRIPTION	DATE	DWN	APVD
	L1	ECR-25-261097	04NOV2025	SA	PS



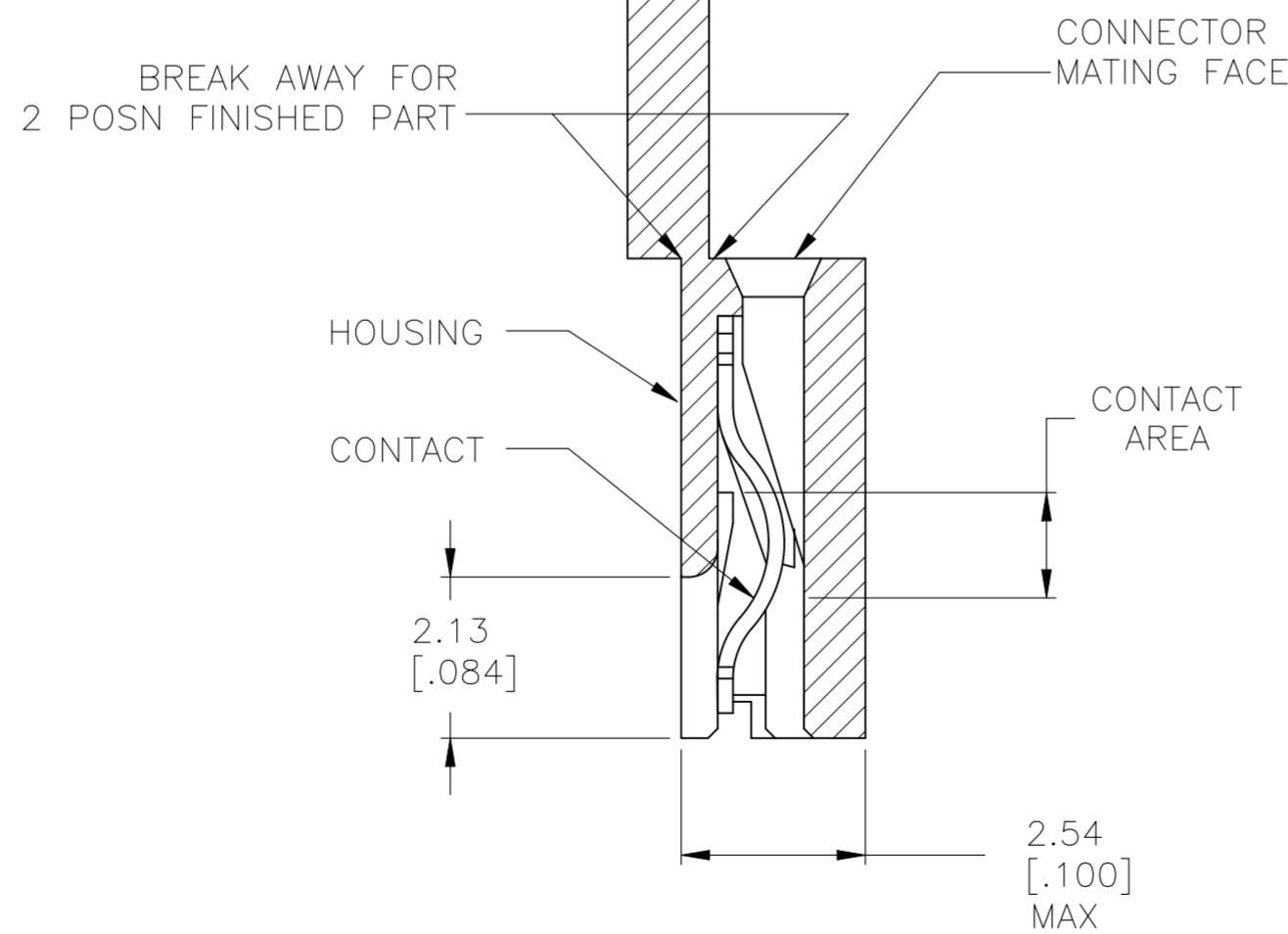
- 7 PART NO. DENOTES INDIVIDUAL TWO POSITION SHUNT WHICH IS PACKAGED LOOSE PIECE.
- 8 CONTACT PLATED WITH 0.00076[.000030] GOLD IN CONTACT AREA OVER 0.00127[.000050] NICKEL OVERALL.
- 9 CONTACT PLATED WITH 0.00254[.000100] MATTE TIN OVER ALL.

- 1 MATERIAL:
HOUSING: GLASS-FILLED POLYESTER, COLOR-SEE TABLE.
- 2 CONTACT PLATED WITH 0.00254[.000100] TIN-LEAD OVER ALL.
- 3 CONTACT PLATED WITH 0.00038[.000015] GOLD IN CONTACT AREA OVER 0.00127[.000050] NICKEL OVER ALL.
- 4 PART NO. DENOTES INDIVIDUAL TWO POSITION SHUNT, WHICH IS PACKAGED ON BREAKAWAY COMBS OF TEN SHUNTS.
- 5 CONNECTOR MATES WITH WIRE WRAP POSTS, 0.64[.025] SQUARE OR ROUND AND 0.56[.022] X 0.66[.026] POSTS. LENGTH 5.08[.200] MINIMUM.
- 6 CONTACT PLATED WITH 0.00013[.000005] GOLD IN CONTACT AREA OVER 0.00127[.000050] NICKEL OVER ALL.

SEE DETAIL A



DETAIL A
SCALE 10:1



SECTION B-B
SCALE 10:1

CONTACT MATERIAL	HOUSING COLOR	FINISH	PART NO
PHOSPHOR BRONZE	BLACK	9	2-382811-1 4
	BLACK	8	2-382811-0 4
	BLACK	2	1-382811-9 7
	BLACK	6	1-382811-8 7
	RED	2	1-382811-7 4
	BLACK	3	1-382811-6 7
	BLACK	8	1-382811-5 7
	RED	8	1-382811-4 4
	BLUE	8	1-382811-3 4
	BLUE	9	1-382811-1 4
BERYLLIUM COPPER	BLACK	3	1-382811-0 4
PHOSPHOR BRONZE	RED	3	382811-9 4
	BLACK	6	382811-8 4
	RED	9	382811-7 4
	BLACK	3	382811-6 4
	BLACK	2	382811-5 4
	BLUE	6	382811-4 4
	RED	6	382811-3 4
	BLUE	3	382811-2 4
	BLUE	2	382811-1 4

THIS DRAWING IS A CONTROLLED DOCUMENT.

DWN: W. SORAH 8-18-93
CHK: R. TALLEY 8-23-93
APVD: D. HUFFMAN 8-23-93

TE Connectivity
ECONOMY SHUNT ASSEMBLY

108-1476
114-1059

SIZE: A2 CAGE CODE: 00779 DRAWING NO: C-382811

SCALE: 4:1 SHEET: 1 OF 1 REV: L1