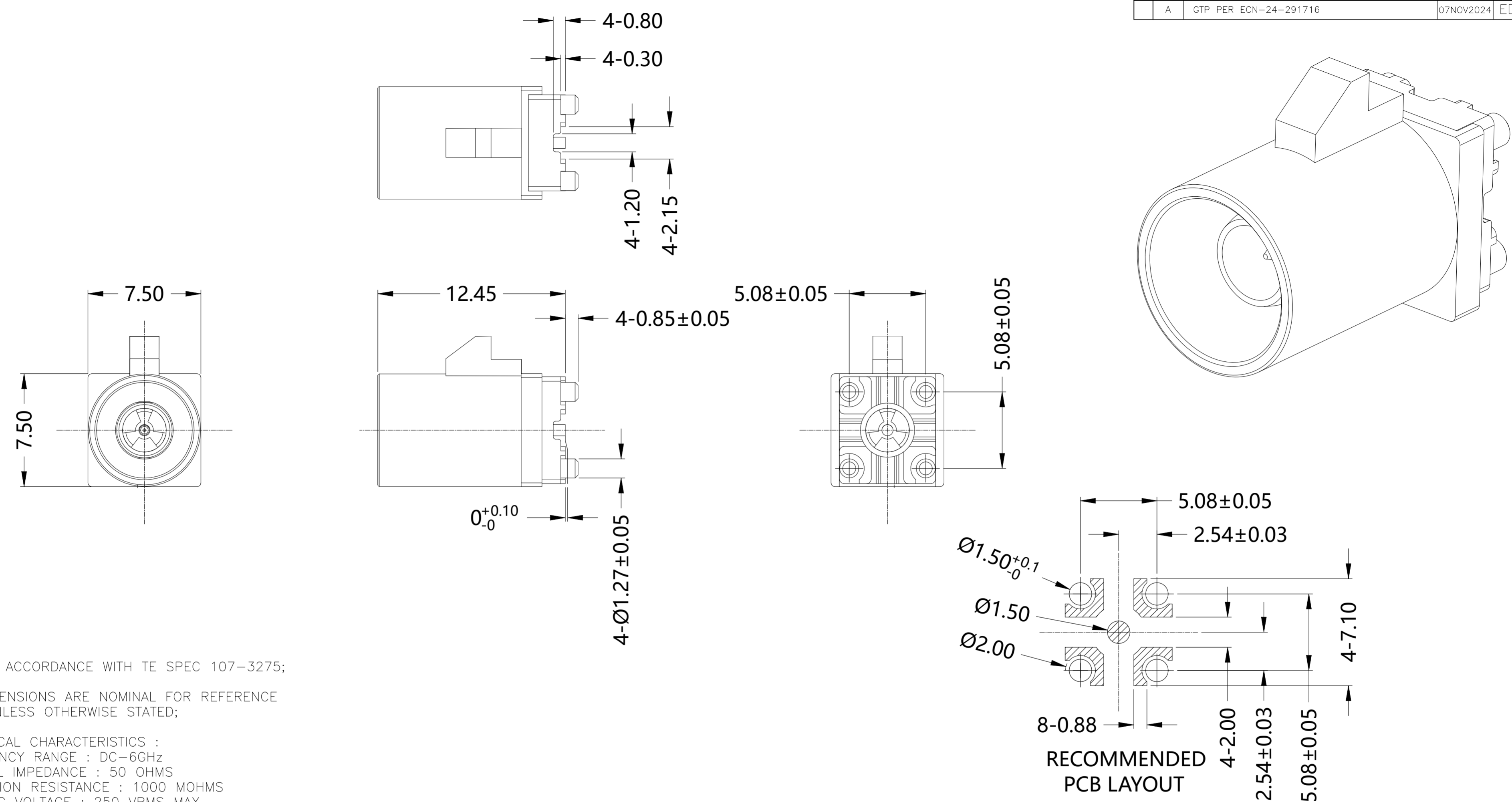


REVISIONS					
P	LTR	DESCRIPTION	DATE	DWN	APVD
A		GTP PER ECN-24-291716	07NOV2024	ED	WH



NOTES:

- PACK IN ACCORDANCE WITH TE SPEC 107-3275;
- ALL DIMENSIONS ARE NOMINAL FOR REFERENCE ONLY UNLESS OTHERWISE STATED;
- ELECTRICAL CHARACTERISTICS :
 FREQUENCY RANGE : DC-6GHz
 NOMINAL IMPEDANCE : 50 OHMS
 INSULATION RESISTANCE : 1000 MOHMS
 WORKING VOLTAGE : 250 VRMS MAX
 DIELECTRIC WITHSTANDING VOLTAGE : 800 VOLTS MAX
 VSWR : 1.40 MAX(DC-2GHz)
 1.50 MAX(2-3GHz)
 1.60 MAX(3-6GHz)
 CONTACT RESISTANCE :
 CENTER CONTACT : 10 mOHMS MAX
 OUTER CONTACT : 7.5 mOHMS MAX;
- MECHANICAL CHARACTERISTICS :
 DURABILITY : 100 CYCLES
 MATING FORCE : 25N MAX;
 DISENGAGEMENT FORCE : 2N MIN;
 CONNECTOR DISENGAGEMENT FORCE WITH LOCK : 110N MIN;
 UNMATING FORCE WITH DISENGAGED : 75N MAX;
- TEMPERATURE RANGE: -40°-+105°;
- RoHS: COMPLIANT;
- ALL DETAIL TEPNs ARE IN PAGE 2.

QTY	DESCRIPTION	MATERIAL	DESCRIPTION	ITEM
1	/	PA66+30%GF	SHELL	4
1	GOLD 3u"/COPPER	BRASS	CONTACT PIN	3
1	NATURAL	HTN 15%GF	INSULATOR	2
1	TIN 100u" MIN	ZINC ALLOY	BODY	1
2474495-X	PLATING	MATERIAL	DESCRIPTION	ITEM

QUANTITY PER ASSY PARTS LIST


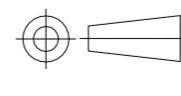
THIS DRAWING IS A CONTROLLED DOCUMENT.		DWN ED 06NOV2023	TE TE Connectivity Ltd.	
DIMENSIONS: mm		CHK ED 13NOV2023		
TOLERANCES UNLESS OTHERWISE SPECIFIED:		APVD WH 13NOV2023	NAME	
0 PLC ± -		PRODUCT SPEC	FAKRA MALE WITH HOUSING, STRAIGHT,PCB,DC-6GHZ	
1 PLC ± 0.3		APPLICATION SPEC	SIZE	RESTRICTED TO
2 PLC ± 0.2		WEIGHT	A2	00779
3 PLC ± 0.1		CUSTOMER DRAWING	SCALE	8:1
4 PLC ± -			SHEET	1 OF 2
ANGLES ± 5'			REV	A
FINISH -				

REVISIONS

P	LTR	DESCRIPTION	DATE	DWN	APVD
-		SEE SHEET 1	-	-	-

Mechanical and Color Coding			
TEPN	Color	Coding	
2474495-1	Deep Black	A	
2474495-2	Signal White	B	
2474495-3	Signal Blue	C	
2474495-4	Bordeaux Violet	D	
2474495-5	Leaf Green	E	
2474495-6	Brown	F	
2474495-7	Blue Grey	G	
2474495-8	Heather Violet	H	
2474495-9	Beige	I	
1-2474495-1	Curry Yellow	K	
1-2474494-2	Carmine-red	L	
1-2474495-3	Pastel orange	M	
1-2474495-4	Pastel green	N	
1-2474495-5	Water Blue	Z	

2474495

THIS DRAWING IS A CONTROLLED DOCUMENT.		DWN	06NOV2023	 TE Connectivity Ltd.		
		CHK	ED			06NOV2023
		APVD	WH			06NOV2023
		PRODUCT SPEC				
DIMENSIONS: mm		TOLERANCES UNLESS OTHERWISE SPECIFIED:		NAME		
		0 PLC ± - 1 PLC ± 0.3 2 PLC ± 0.2 3 PLC ± 0.1 4 PLC ± - ANGLES ± 5°		FAKRA MALE WITH HOUSING, STRAIGHT,PCB,DC-6GHZ		
MATERIAL SEE TABLE		FINISH -		SIZE: A2 CAGE CODE: 00779 DRAWING NO: C-2474495 RESTRICTED TO: -		
		WEIGHT -		SCALE: 8:1 SHEET: 2 OF 2 REV: A		
		CUSTOMER DRAWING				