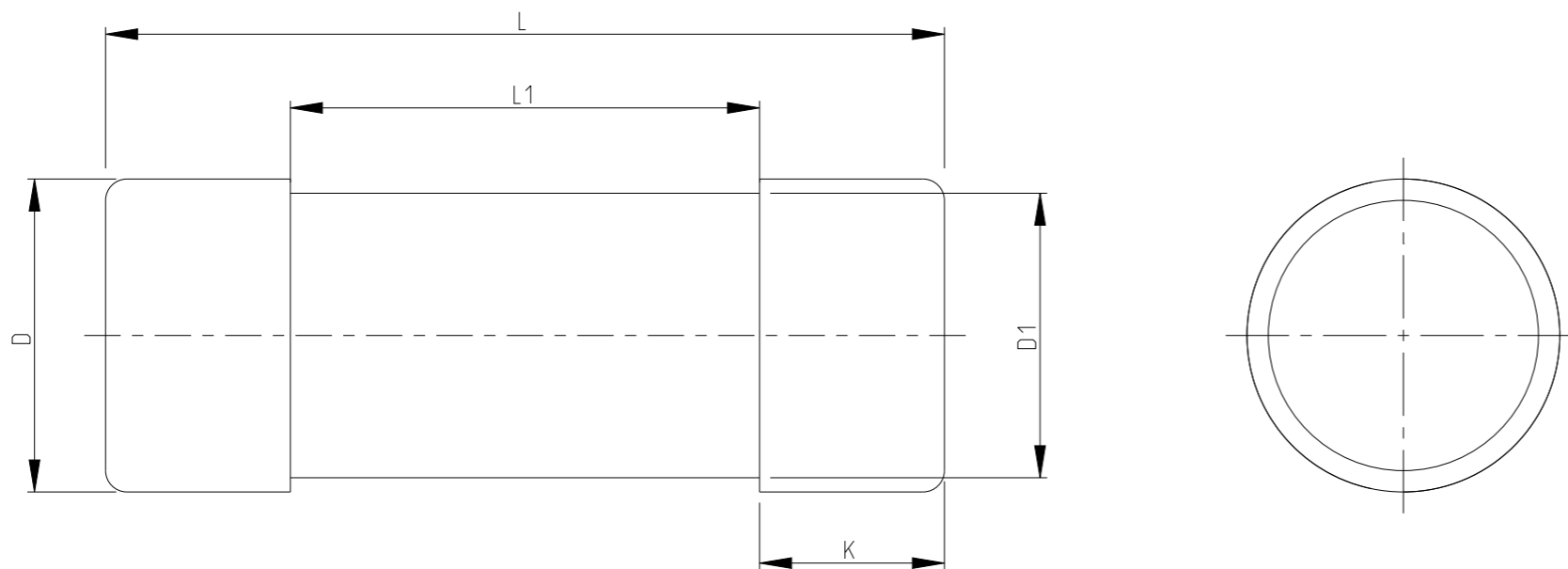
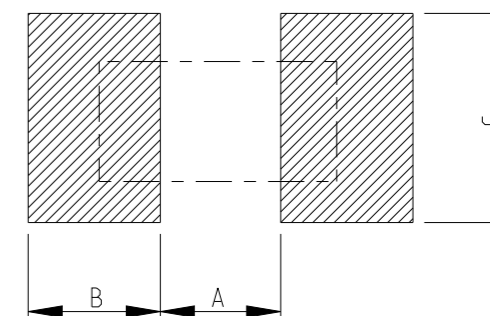


P	LTR	DESCRIPTION	DATE	DWN	APVD
	BA	INITIAL DRAWING RELEASE	29NOV2023	DM	AP



FOR FURTHER INFORMATION SEE DATA SHEET OF METAL FILM PRECISION MELF RESISTOR AEC-Q200 QUALIFIED TYPE SMA-Q SERIES

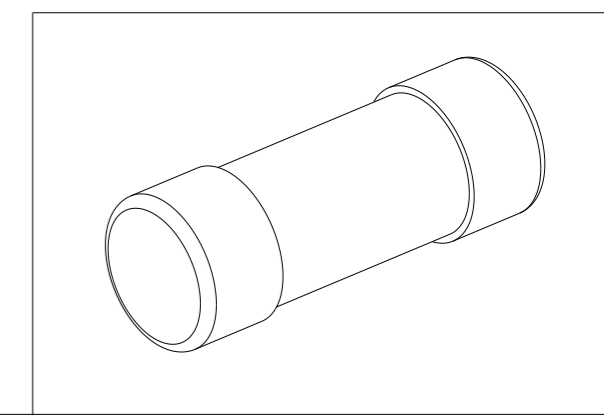
RECOMMENDED LAND PATTERN



TYPE	L (mm)	L1 min. (mm)	∅D (mm)	∅D1 (mm)	K (mm)	WEIGHT MG EA
SMA-Q 0207	5.9±0.2	2.9	2.2±0.2	D +0/-0.2	1.3±0.1	80.9

SIZE	A (mm)	B (mm)	C (mm)
SMA-Q 0207	3.0	1.7	2.4

RoHS Compliant



THIS DRAWING IS A CONTROLLED DOCUMENT.		DWN DHEERAJ M 29NOV2023												
DIMENSIONS: mm		CHK TRACY G 29NOV2023												
TOLERANCES UNLESS OTHERWISE SPECIFIED:		APVD ALLAN P 29NOV2023												
<table border="0"> <tr> <td>0 PLC</td> <td>±0.2</td> </tr> <tr> <td>1 PLC</td> <td>±0.1</td> </tr> <tr> <td>2 PLC</td> <td>±</td> </tr> <tr> <td>3 PLC</td> <td>±</td> </tr> <tr> <td>4 PLC</td> <td>±</td> </tr> <tr> <td>ANGLES</td> <td>±5°</td> </tr> </table>		0 PLC			±0.2	1 PLC	±0.1	2 PLC	±	3 PLC	±	4 PLC	±	ANGLES
0 PLC	±0.2													
1 PLC	±0.1													
2 PLC	±													
3 PLC	±													
4 PLC	±													
ANGLES	±5°													
MATERIAL -		FINISH -	APPLICATION SPEC -	NAME METAL FILM PRECISION MELF RESISTORS AEC-Q200 QUALIFIED TYPE SMA-Q 0207 SERIES										
		WEIGHT -	SIZE A3	CAGE CODE 00779										
			DRAWING NO C=2176712	RESTRICTED TO -										
		CUSTOMER DRAWING	SCALE 20:1	SHEET 1 OF 3										
				REV BA										

REVISIONS

P	LTR	DESCRIPTION	DATE	DWN	APVD
	-	SEE SHEET 1	-	-	-

SCHEDULE

TCPN	CATALOGUE NUMBER	PART DESCRIPTION	PART STATUS
2176712-1	SMA-Q0207FTDU309K	MELF SMA-Q 309K 1% 50PPM 0207 0.5W	PRODUCTION
2176712-2	SMA-Q0207FTDU316K	MELF SMA-Q 316K 1% 50PPM 0207 0.5W	PRODUCTION
2176712-3	SMA-Q0207FTDU324K	MELF SMA-Q 324K 1% 50PPM 0207 0.5W	PRODUCTION
2176712-4	SMA-Q0207FTDU332K	MELF SMA-Q 332K 1% 50PPM 0207 0.5W	PRODUCTION
2176712-5	SMA-Q0207FTDU340K	MELF SMA-Q 340K 1% 50PPM 0207 0.5W	PRODUCTION
2176712-6	SMA-Q0207FTDU348K	MELF SMA-Q 348K 1% 50PPM 0207 0.5W	PRODUCTION
2176712-7	SMA-Q0207FTDU357K	MELF SMA-Q 357K 1% 50PPM 0207 0.5W	PRODUCTION
2176712-8	SMA-Q0207FTDU365K	MELF SMA-Q 365K 1% 50PPM 0207 0.5W	PRODUCTION
2176712-9	SMA-Q0207FTDU374K	MELF SMA-Q 374K 1% 50PPM 0207 0.5W	PRODUCTION
1-2176712-0	SMA-Q0207FTDU383K	MELF SMA-Q 383K 1% 50PPM 0207 0.5W	PRODUCTION
1-2176712-1	SMA-Q0207FTDU392K	MELF SMA-Q 392K 1% 50PPM 0207 0.5W	PRODUCTION
1-2176712-2	SMA-Q0207FTDU402K	MELF SMA-Q 402K 1% 50PPM 0207 0.5W	PRODUCTION
1-2176712-3	SMA-Q0207FTDU412K	MELF SMA-Q 412K 1% 50PPM 0207 0.5W	PRODUCTION
1-2176712-4	SMA-Q0207FTDU422K	MELF SMA-Q 422K 1% 50PPM 0207 0.5W	PRODUCTION
1-2176712-5	SMA-Q0207FTDU432K	MELF SMA-Q 432K 1% 50PPM 0207 0.5W	PRODUCTION
1-2176712-6	SMA-Q0207FTDU442K	MELF SMA-Q 442K 1% 50PPM 0207 0.5W	PRODUCTION
1-2176712-7	SMA-Q0207FTDU453K	MELF SMA-Q 453K 1% 50PPM 0207 0.5W	PRODUCTION
1-2176712-8	SMA-Q0207FTDU464K	MELF SMA-Q 464K 1% 50PPM 0207 0.5W	PRODUCTION
1-2176712-9	SMA-Q0207FTDU475K	MELF SMA-Q 475K 1% 50PPM 0207 0.5W	PRODUCTION
2-2176712-0	SMA-Q0207FTDU487K	MELF SMA-Q 487K 1% 50PPM 0207 0.5W	PRODUCTION
2-2176712-1	SMA-Q0207FTDU499K	MELF SMA-Q 499K 1% 50PPM 0207 0.5W	PRODUCTION
2-2176712-2	SMA-Q0207FTDU511K	MELF SMA-Q 511K 1% 50PPM 0207 0.5W	PRODUCTION
2-2176712-3	SMA-Q0207FTDU523K	MELF SMA-Q 523K 1% 50PPM 0207 0.5W	PRODUCTION
2-2176712-4	SMA-Q0207FTDU536K	MELF SMA-Q 536K 1% 50PPM 0207 0.5W	PRODUCTION
2-2176712-5	SMA-Q0207FTDU549K	MELF SMA-Q 549K 1% 50PPM 0207 0.5W	PRODUCTION
2-2176712-6	SMA-Q0207FTDU562K	MELF SMA-Q 562K 1% 50PPM 0207 0.5W	PRODUCTION
2-2176712-7	SMA-Q0207FTDU576K	MELF SMA-Q 576K 1% 50PPM 0207 0.5W	PRODUCTION
2-2176712-8	SMA-Q0207FTDU590K	MELF SMA-Q 590K 1% 50PPM 0207 0.5W	PRODUCTION
2-2176712-9	SMA-Q0207FTDU604K	MELF SMA-Q 604K 1% 50PPM 0207 0.5W	PRODUCTION
3-2176712-0	SMA-Q0207FTDU619K	MELF SMA-Q 619K 1% 50PPM 0207 0.5W	PRODUCTION
3-2176712-1	SMA-Q0207FTDU634K	MELF SMA-Q 634K 1% 50PPM 0207 0.5W	PRODUCTION
3-2176712-2	SMA-Q0207FTDU649K	MELF SMA-Q 649K 1% 50PPM 0207 0.5W	PRODUCTION
3-2176712-3	SMA-Q0207FTDU665K	MELF SMA-Q 665K 1% 50PPM 0207 0.5W	PRODUCTION

SCHEDULE

TCPN	CATALOGUE NUMBER	PART DESCRIPTION	PART STATUS
3-2176712-4	SMA-Q0207FTDU681K	MELF SMA-Q 681K 1% 50PPM 0207 0.5W	PRODUCTION
3-2176712-5	SMA-Q0207FTDU698K	MELF SMA-Q 698K 1% 50PPM 0207 0.5W	PRODUCTION
3-2176712-6	SMA-Q0207FTDU715K	MELF SMA-Q 715K 1% 50PPM 0207 0.5W	PRODUCTION
3-2176712-7	SMA-Q0207FTDU732K	MELF SMA-Q 732K 1% 50PPM 0207 0.5W	PRODUCTION
3-2176712-8	SMA-Q0207FTDU750K	MELF SMA-Q 750K 1% 50PPM 0207 0.5W	PRODUCTION
3-2176712-9	SMA-Q0207FTDU768K	MELF SMA-Q 768K 1% 50PPM 0207 0.5W	PRODUCTION
4-2176712-0	SMA-Q0207FTDU787K	MELF SMA-Q 787K 1% 50PPM 0207 0.5W	PRODUCTION
4-2176712-1	SMA-Q0207FTDU806K	MELF SMA-Q 806K 1% 50PPM 0207 0.5W	PRODUCTION
4-2176712-2	SMA-Q0207FTDU825K	MELF SMA-Q 825K 1% 50PPM 0207 0.5W	PRODUCTION
4-2176712-3	SMA-Q0207FTDU845K	MELF SMA-Q 845K 1% 50PPM 0207 0.5W	PRODUCTION
4-2176712-4	SMA-Q0207FTDU866K	MELF SMA-Q 866K 1% 50PPM 0207 0.5W	PRODUCTION
4-2176712-5	SMA-Q0207FTDU887K	MELF SMA-Q 887K 1% 50PPM 0207 0.5W	PRODUCTION
4-2176712-6	SMA-Q0207FTDU909K	MELF SMA-Q 909K 1% 50PPM 0207 0.5W	PRODUCTION
4-2176712-7	SMA-Q0207FTDU931K	MELF SMA-Q 931K 1% 50PPM 0207 0.5W	PRODUCTION
4-2176712-8	SMA-Q0207FTDU953K	MELF SMA-Q 953K 1% 50PPM 0207 0.5W	PRODUCTION
4-2176712-9	SMA-Q0207FTDU976K	MELF SMA-Q 976K 1% 50PPM 0207 0.5W	PRODUCTION
5-2176712-0	SMA-Q0207FTDU1M0	MELF SMA-Q 1M0 1% 50PPM 0207 0.5W	PRODUCTION
5-2176712-1	SMA-Q0207FTDU1M02	MELF SMA-Q 1M02 1% 50PPM 0207 0.5W	PRODUCTION
5-2176712-2	SMA-Q0207FTDU1M05	MELF SMA-Q 1M05 1% 50PPM 0207 0.5W	PRODUCTION
5-2176712-3	SMA-Q0207FTDU1M07	MELF SMA-Q 1M07 1% 50PPM 0207 0.5W	PRODUCTION
5-2176712-4	SMA-Q0207FTDU1M1	MELF SMA-Q 1M1 1% 50PPM 0207 0.5W	PRODUCTION
5-2176712-5	SMA-Q0207FTDU1M13	MELF SMA-Q 1M13 1% 50PPM 0207 0.5W	PRODUCTION
5-2176712-6	SMA-Q0207FTDU1M15	MELF SMA-Q 1M15 1% 50PPM 0207 0.5W	PRODUCTION
5-2176712-7	SMA-Q0207FTDU1M18	MELF SMA-Q 1M18 1% 50PPM 0207 0.5W	PRODUCTION
5-2176712-8	SMA-Q0207FTDU1M21	MELF SMA-Q 1M21 1% 50PPM 0207 0.5W	PRODUCTION
5-2176712-9	SMA-Q0207FTDU1M24	MELF SMA-Q 1M24 1% 50PPM 0207 0.5W	PRODUCTION
6-2176712-0	SMA-Q0207FTDU1M27	MELF SMA-Q 1M27 1% 50PPM 0207 0.5W	PRODUCTION
6-2176712-1	SMA-Q0207FTDU1M3	MELF SMA-Q 1M3 1% 50PPM 0207 0.5W	PRODUCTION
6-2176712-2	SMA-Q0207FTDU1M33	MELF SMA-Q 1M33 1% 50PPM 0207 0.5W	PRODUCTION
6-2176712-3	SMA-Q0207FTDU1M37	MELF SMA-Q 1M37 1% 50PPM 0207 0.5W	PRODUCTION
6-2176712-4	SMA-Q0207FTDU1M4	MELF SMA-Q 1M4 1% 50PPM 0207 0.5W	PRODUCTION
6-2176712-5	SMA-Q0207FTDU1M43	MELF SMA-Q 1M43 1% 50PPM 0207 0.5W	PRODUCTION
6-2176712-6	SMA-Q0207FTDU1M47	MELF SMA-Q 1M47 1% 50PPM 0207 0.5W	PRODUCTION

THIS DRAWING IS A CONTROLLED DOCUMENT.

DWN DHEERAJ M 29NOV2023

CHK TRACY G 29NOV2023

APVD ALLAN P 29NOV2023

PRODUCT SPEC

APPLICATION SPEC

WEIGHT

CUSTOMER DRAWING



TE Connectivity

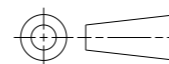
METAL FILM PRECISION MELF RESISTORS
AEC-Q200 QUALIFIED TYPE
SMA-Q 0207 SERIES

SIZE CAGE CODE DRAWING NO RESTRICTED TO

A3 00779 C-2176712

SCALE 20:1 SHEET 2 OF 3 REV BA

DIMENSIONS:
mm



TOLERANCES UNLESS OTHERWISE SPECIFIED:

0 PLC ±0.2
1 PLC ±0.1
2 PLC ±
3 PLC ±
4 PLC ±
ANGLES ±5°

MATERIAL

FINISH

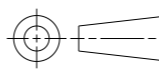
REVISIONS

P	LTR	DESCRIPTION	DATE	DWN	APVD
-		SEE SHEET 1	-	-	-


SCHEDULE

TCPN	CATALOGUE NUMBER	PART DESCRIPTION	PART STATUS
6-2176712-7	SMA-Q0207FTDU1M5	MELF SMA-Q 1M5 1% 50PPM 0207 0.5W	PRODUCTION
6-2176712-8	SMA-Q0207FTDU1M54	MELF SMA-Q 1M54 1% 50PPM 0207 0.5W	PRODUCTION
6-2176712-9	SMA-Q0207FTDU1M58	MELF SMA-Q 1M58 1% 50PPM 0207 0.5W	PRODUCTION
7-2176712-0	SMA-Q0207FTDU1M62	MELF SMA-Q 1M62 1% 50PPM 0207 0.5W	PRODUCTION
7-2176712-1	SMA-Q0207FTDU1M65	MELF SMA-Q 1M65 1% 50PPM 0207 0.5W	PRODUCTION
7-2176712-2	SMA-Q0207FTDU1M69	MELF SMA-Q 1M69 1% 50PPM 0207 0.5W	PRODUCTION
7-2176712-3	SMA-Q0207FTDU1M74	MELF SMA-Q 1M74 1% 50PPM 0207 0.5W	PRODUCTION
7-2176712-4	SMA-Q0207FTDU1M78	MELF SMA-Q 1M78 1% 50PPM 0207 0.5W	PRODUCTION
7-2176712-5	SMA-Q0207FTDU1M82	MELF SMA-Q 1M82 1% 50PPM 0207 0.5W	PRODUCTION
7-2176712-6	SMA-Q0207FTDU1M87	MELF SMA-Q 1M87 1% 50PPM 0207 0.5W	PRODUCTION
7-2176712-7	SMA-Q0207FTDU1M91	MELF SMA-Q 1M91 1% 50PPM 0207 0.5W	PRODUCTION
7-2176712-8	SMA-Q0207FTDU1M96	MELF SMA-Q 1M96 1% 50PPM 0207 0.5W	PRODUCTION
7-2176712-9	SMA-Q0207FTDU2M0	MELF SMA-Q 2M0 1% 50PPM 0207 0.5W	PRODUCTION
8-2176712-0	SMA-Q0207FTDU2M05	MELF SMA-Q 2M05 1% 50PPM 0207 0.5W	PRODUCTION
8-2176712-1	SMA-Q0207FTDU2M1	MELF SMA-Q 2M1 1% 50PPM 0207 0.5W	PRODUCTION
8-2176712-2	SMA-Q0207FTDU2M15	MELF SMA-Q 2M15 1% 50PPM 0207 0.5W	PRODUCTION
8-2176712-3	SMA-Q0207FTDU2M21	MELF SMA-Q 2M21 1% 50PPM 0207 0.5W	PRODUCTION
8-2176712-4	SMA-Q0207FTDU2M26	MELF SMA-Q 2M26 1% 50PPM 0207 0.5W	PRODUCTION
8-2176712-5	SMA-Q0207FTDU2M32	MELF SMA-Q 2M32 1% 50PPM 0207 0.5W	PRODUCTION
8-2176712-6	SMA-Q0207FTDU2M37	MELF SMA-Q 2M37 1% 50PPM 0207 0.5W	PRODUCTION
8-2176712-7	SMA-Q0207FTDU2M43	MELF SMA-Q 2M43 1% 50PPM 0207 0.5W	PRODUCTION
8-2176712-8	SMA-Q0207FTDU2M49	MELF SMA-Q 2M49 1% 50PPM 0207 0.5W	PRODUCTION
8-2176712-9	SMA-Q0207FTDU2M55	MELF SMA-Q 2M55 1% 50PPM 0207 0.5W	PRODUCTION
9-2176712-0	SMA-Q0207FTDU2M61	MELF SMA-Q 2M61 1% 50PPM 0207 0.5W	PRODUCTION
9-2176712-1	SMA-Q0207FTDU2M67	MELF SMA-Q 2M67 1% 50PPM 0207 0.5W	PRODUCTION
9-2176712-2	SMA-Q0207FTDU2M74	MELF SMA-Q 2M74 1% 50PPM 0207 0.5W	PRODUCTION
9-2176712-3	SMA-Q0207FTDU2M8	MELF SMA-Q 2M8 1% 50PPM 0207 0.5W	PRODUCTION
9-2176712-4	SMA-Q0207FTDU2M87	MELF SMA-Q 2M87 1% 50PPM 0207 0.5W	PRODUCTION
9-2176712-5	SMA-Q0207FTDU2M94	MELF SMA-Q 2M94 1% 50PPM 0207 0.5W	PRODUCTION
9-2176712-6	SMA-Q0207FTDU3M01	MELF SMA-Q 3M01 1% 50PPM 0207 0.5W	PRODUCTION
9-2176712-7	SMA-Q0207FTDU3M09	MELF SMA-Q 3M09 1% 50PPM 0207 0.5W	PRODUCTION
9-2176712-8	SMA-Q0207FTDU3M16	MELF SMA-Q 3M16 1% 50PPM 0207 0.5W	PRODUCTION
9-2176712-9	SMA-Q0207FTDU3M24	MELF SMA-Q 3M24 1% 50PPM 0207 0.5W	PRODUCTION

THIS DRAWING IS A CONTROLLED DOCUMENT.

DIMENSIONS:	TOLERANCES UNLESS OTHERWISE SPECIFIED:
mm	
	0 PLC ±0.2
	1 PLC ±0.1
	2 PLC ±-
	3 PLC ±-
	4 PLC ±-
	ANGLES ±5°
MATERIAL	FINISH
-	-
-	-

DWN	29NOV2023
CHK	29NOV2023
APVD	29NOV2023
PRODUCT SPEC	-
APPLICATION SPEC	-
WEIGHT	-
CUSTOMER DRAWING	

		TE Connectivity	
		NAME	
METAL FILM PRECISION MELF RESISTORS		RESTRICTED TO	
AEC-Q200 QUALIFIED TYPE		-	
SMA-Q 0207 SERIES		-	
SIZE	CAGE CODE	DRAWING NO	
A3	00779	©=2176712	
SCALE		SHEET	REV
20:1		3 OF 3	BA