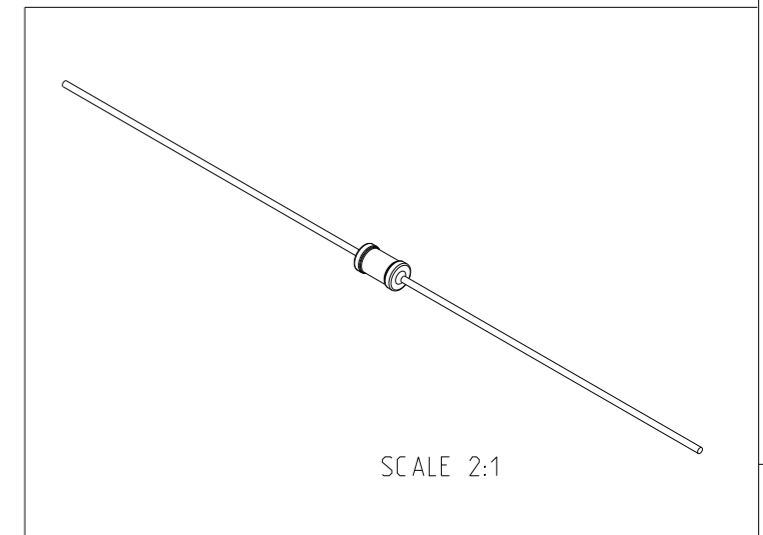
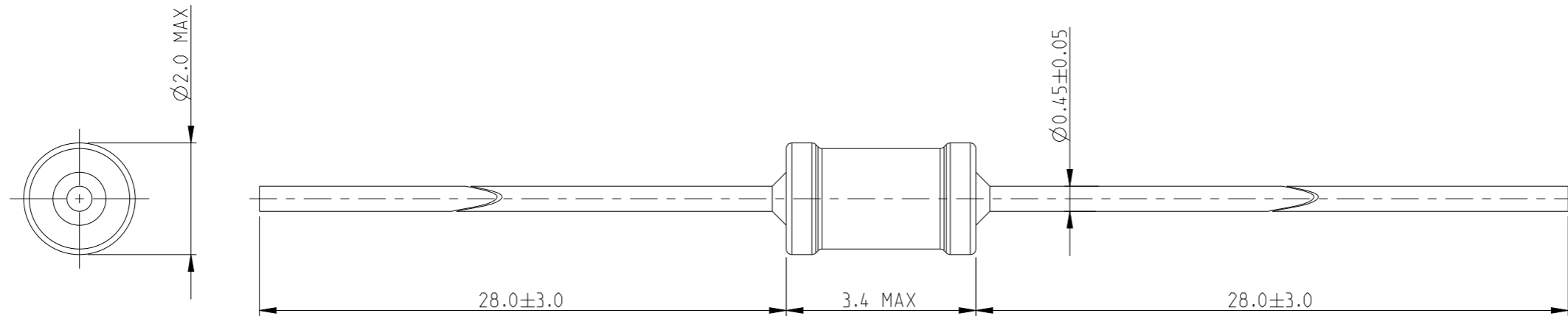


REVISIONS

P	LTR	DESCRIPTION	DATE	DWN	APVD
	BA	NEW RELEASE	05OCT09	MRS	St.P
	BA1	DRAWING DIMENSION UPDATE	02JUN2025	SY	GT

FOR FURTHER INFORMATION SEE DATA SHEET FOR SERIES LR, METAL FILM FIXED RESISTORS



RoHS Compliant

THIS DRAWING IS A CONTROLLED DOCUMENT.

DIMENSIONS:	TOLERANCES UNLESS OTHERWISE SPECIFIED:
mm	
	0 PLC $\pm 0.2$
	1 PLC $\pm 0.1$
	2 PLC $\pm$
	3 PLC $\pm$
	4 PLC $\pm$
	ANGLES $45^\circ$
MATERIAL	FINISH
-	-

DWN	MAHARUDRA	05-OCT-09
CHK	ALLAN.P	05-OCT-09
APVD	STEPHEN.P	05-OCT-09
PRODUCT SPEC	-	-
APPLICATION SPEC	-	-
WEIGHT	-	-
CUSTOMER DRAWING		

		TE Connectivity	
		NAME	
METAL FILM FIXED RESISTORS			
TYPE LR0204 SERIES			
SIZE	CAGE CODE	DRAWING NO	RESTRICTED TO
A3	00779	C=1622254	-
SCALE		SHEET	REV
10:1		1 OF 1	BA1