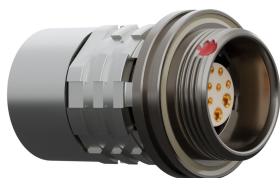


straight_in_line_receptacle_with_screw_lock_for_bend_relief

size_0_ip6k8_ip6k9k_coding_a_light_brown_12_contacts_sockets_solder_cup_data_transmission



Basic information

Part number	KCOWAM-PD1WMM0-0000
Category	connector
Type of connector	in_line_receptacle
Assembly situation	straight

Contact insert description

Special features	data_transmission
Transmission type	USB® 3.2 Gen 1x1 [5 Gbit/s]
Number of contacts	12
Contact type	sockets
Contact diameter	0.3 mm; 0.7 mm
Termination type	solder_cup
Termination diameter	0.85 mm
Wire cross section AWG	AWG 28; AWG 22

Technical information

Nominal current single contact	1 A	IEC 60512-5-2:2002 (DIN EN 60512-5-2:2003)
Test voltage	0.75 kV DC	EIA-364-20F:2019-02

Cable description

Cable outlet	overmolding
Min. cable diameter	3.2
Max. cable diameter	7

Mechanical and environmental data

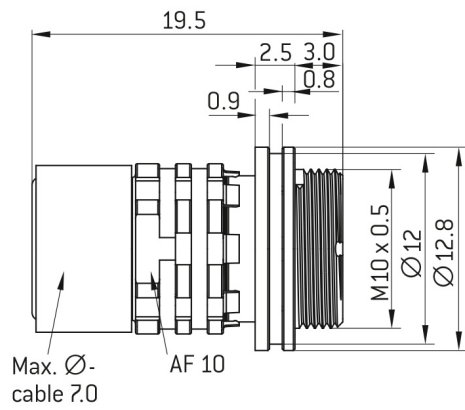
Locking principle	screw_lock
Keying	a
Mating cycles	5.000
IP class	IP68 / IP6K9K
Max. operating temperature	125 °C
Min. operating temperature	-51 °C
Weight	7.2 g

ip_protection_class_refers_to_mated_condition

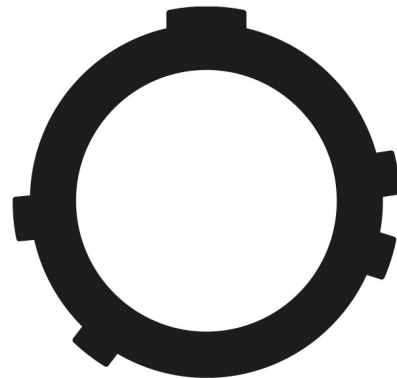
Material and surface treatments

Material	cu_alloy_with_ruthenium_finish
Contact material	cu_alloy_with_gold_finish

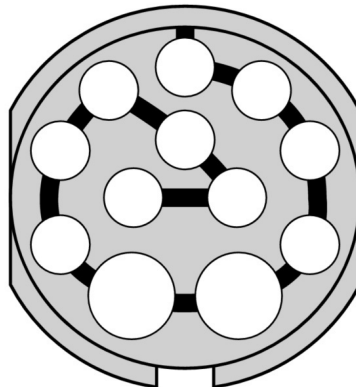
DIMENSIONS:



CODING:A



12 Positions



Further technical information and downloads

Connection diagram

[connection_diagram_D1_pin_usb_3_2_gen1x1_socket_typ_a](#)

[3D-File \(STP File\)](#)

[Assembly Instruction](#)

[Technical specifications](#)