

## Straight in-line receptacle with break-away locking for bend relief

Size 0, IP6K8 / IP6K9K, Coding A (light brown), 9 contacts, Sockets, Solder cup, Data transmission and High power, USB® 2.0 (480 Mbit/s) + Power



### Basic information

Part number	K10WAM-P09WMM0-0000
Category	Connector
Type of connector	In-line receptacle
Assembly situation	Straight

### Contact insert description

Special features	Data transmission , Hybrid (Mixed transmission)
Transmission type	USB® 2.0 (480 Mbit/s) + Power
Number of contacts	9
Contact type	Sockets
Contact diameter	0.3 mm; 0.7 mm
Termination type	Solder cup
Termination diameter	0.85 mm
Wire cross section AWG	AWG 28; AWG 22

Reverse gender on request

### Technical information

Max. current single contact	1 A	IEC 60512-5-2:2002 (DIN EN 60512-5-2:2003)
Test voltage	0.75 kV DC	EIA-364-20F:2019-02

All shown connectors are rated to a safety extra low voltage (SELV) of less than 50 V AC / 75 V DC, according to IEC 61140:2016 (VDE 0140-1:2016) Protection against electric shock - Common aspects for installation and equipment. In case other standards rule a specific use of the connector, the application specific safety criteria shall be considered first. In this context, lower voltage ratings may be valid. Warning: Danger to life for operating voltages above 50 V AC / 120 V DC!

### Cable description

Cable outlet	Overmolding
Min. cable diameter	3.2
Max. cable diameter	7

## Mechanical and environmental data

<b>Locking principle</b>	Break-Away
<b>Keying</b>	A
<b>Mating cycles</b>	5.000
<b>IP class</b>	IP68 / IP6K9K
<b>Max. operating temperature</b>	125 °C
<b>Min. operating temperature</b>	-51 °C
<b>Weight</b>	7.77 g

\*IP protection class refers to mated condition

## Material and surface treatments

<b>Material</b>	Cu-alloy with ruthenium finish
<b>Insulator material</b>	PEEK
<b>Contact material</b>	Gold

Unless explicitly confirmed otherwise the contact arrangement of an ODU data transmission connector differs from a standard data transmission connector due to the robust ODU specific design. However, the ODU design meets the electrical specifications of the respective standard data transmission protocol.

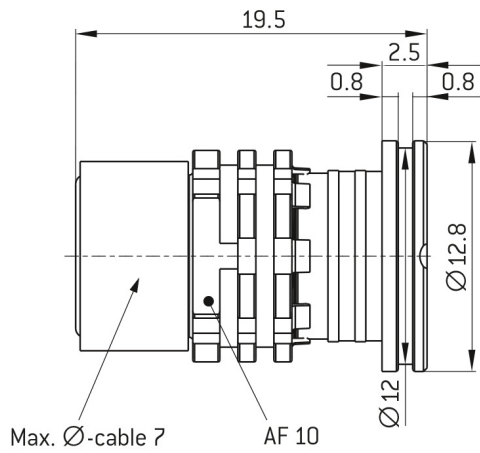
ODU MEDI-SNAP® and MINI-SNAP® are UL-approved (E110586).

ODU reserves the right to make changes based on the current state of knowledge without prior notice without being obliged to provide replacement deliveries or refinements of older designs.

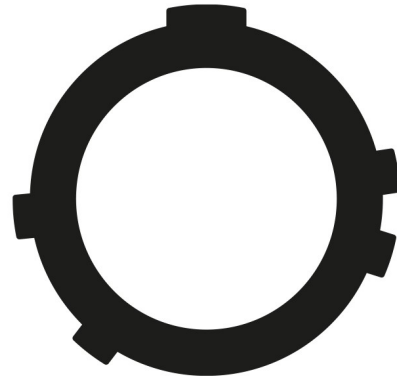
All shown connectors are defined without breaking capacity (COC) according to IEC 61984:2008 (VDE 0627:2009).

## Graphics and technical drawings

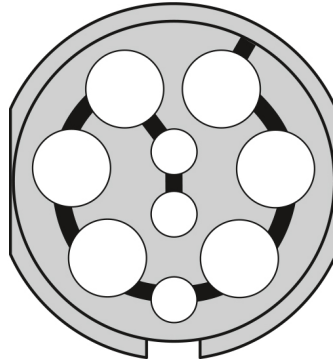
### DIMENSIONS:



### CODING:A



### POSITIONS: 9 positions



### Further technical information and downloads

	Pos.	Signal
Connection diagram	1, 2, 3, 5, 6, 7	Power
	8, 9	USB 2.0 (D+, D-)
	4	Discrete

[3D-File \(STP File\)](#)

[Assembly Instruction](#)

[Technical specifications](#)