

receptacle_with_screw_lock_for_rear_panel_mounting_with_cable_outlet

size_0_ip6k8_ip6k9k_coding_a_light_brown_8_contacts_sockets_solder_cup_data_transmission_ethernet®_10_gbits



Basic information

Part number	GSOWAM-PD8WBEO-0000
Category	connector
Type of connector	receptacle
Assembly situation	rear_panel_mounting

Contact insert description

Special features	data_transmission
Transmission type	Ethernet/IP® [10 Gbit/s]
Number of contacts	8
Contact type	sockets
Contact diameter	0.3 mm
Termination type	solder_cup
Termination diameter	0.7 mm
Wire cross section AWG	AWG 24

Technical information

Nominal current single contact	3 A	IEC 60512-5-2:2002 (DIN EN 60512-5-2:2003)
Max. current insert	0.65 A	VDE 0298-4:2013
Test voltage	0.75 kV DC	EIA-364-20F:2019-02

Cable description

Cable outlet	overmolding
Min. cable diameter	3.2
Max. cable diameter	?

Mechanical and environmental data

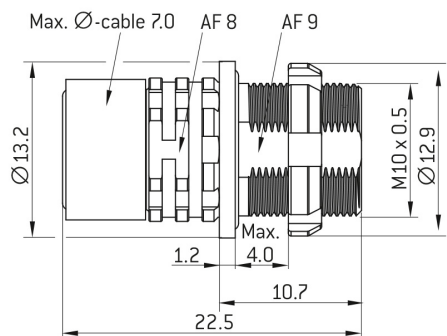
Locking principle	screw_lock
Keying	a
Mating cycles	5.000
IP class	IP68 / IP6K9K
Max. operating temperature	125 °C
Min. operating temperature	-51 °C
Tightening torque	1 Nm
Weight	8 g

ip_protection_class_refers_to_mated_condition

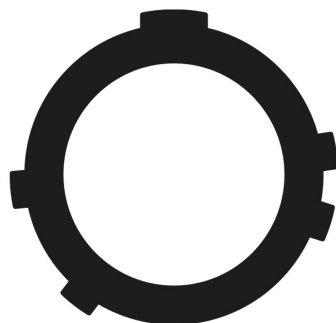
Material and surface treatments

Material	cu_alloy_with_ruthenium_finish
Contact material	cu_alloy_with_gold_finish

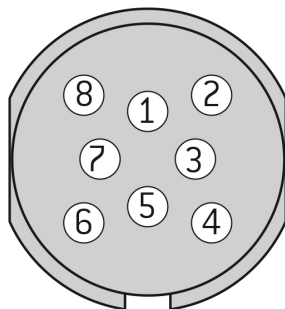
DIMENSIONS:



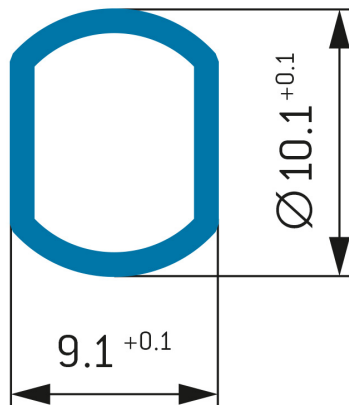
CODING:A



POSITIONS: 8 positions



PANEL CUT OUT:



Further technical information and downloads

Connection diagram [connection_diagram_8_pin_ethernet_1gbs_10gbs_rj45](#)

[3D-File \(STP File\)](#)

[Assembly Instruction](#)

[Technical specifications](#)