

Receptacle with break-away locking for rear panel mounting

Size 00, IP6K8 / IP6K9K, Coding A (light brown), 4 contacts, Sockets, PCB, Data transmission



Basic information

Part number	GKCWAM-P04UB00-000L
Category	Connector
Type of connector	Receptacle
Assembly situation	Rear panel mounting
Size	00

Contact insert description

Special features	Data transmission
Transmission type	USB® 2.0 [480 Mbit/s]
Number of contacts	4
Contact type	Sockets
Contact diameter	0.3 mm
Termination type	PCB
Termination diameter	0.3 mm

Reverse gender on request

Technical information

Nominal current single contact	3 A	IEC 60512-5-2:2002 (DIN EN 60512-5-2:2003)
Max. current insert	3 A	VDE 0298-4:2013
Test voltage	0.75 kV DC	EIA-364-20F:2019-02

All shown connectors are rated to a safety extra low voltage (SELV) of less than 50 V AC / 75 V DC, according to IEC 61140:2016 (VDE 0140-1:2016) Protection against electric shock - Common aspects for installation and equipment. In case other standards rule a specific use of the connector, the application specific safety criteria shall be considered first. In this context, lower voltage ratings may be valid. Warning: Danger to life for operating voltages above 50 V AC / 120 V DC!

Mechanical and environmental data

Locking principle	Break-Away
Keying	A
Mating cycles	5.000
IP class	IP68 / IP6K9K
Max. operating temperature	125 °C
Min. operating temperature	-51 °C
Tightening torque	0.5 Nm
Weight	3.81 g

*IP protection class refers to mated condition

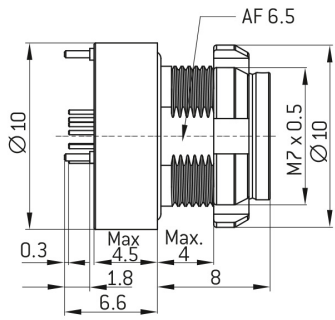
Material and surface treatments

Material	Cu-alloy with ruthenium finish
Insulator material	PEEK
Contact material	Cu-alloy with gold finish

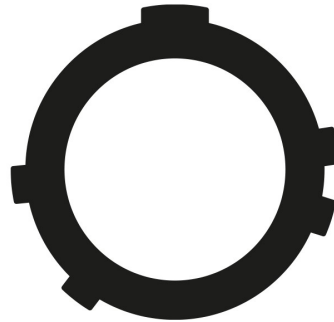
ODU reserves the right to make changes based on the current state of knowledge without prior notice without being obliged to provide replacement deliveries or refinements of older designs.

All shown connectors are defined without breaking capacity (COC) according to IEC 61984:2008 (VDE 0627:2009).

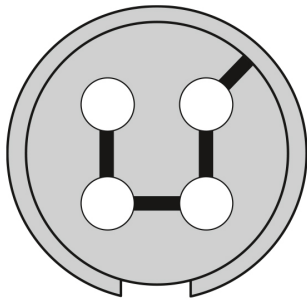
DIMENSIONS:



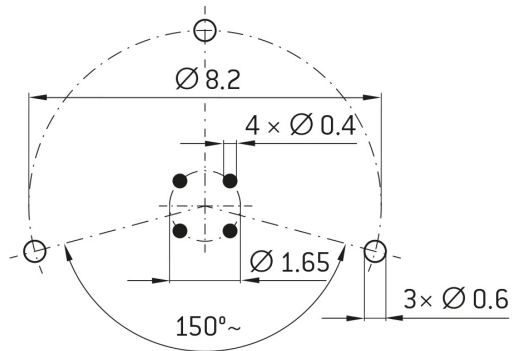
CODING:A



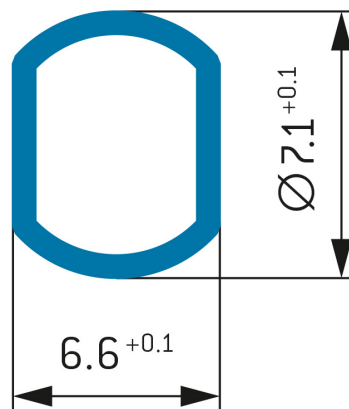
POSITIONS: 4 positions



PCB-LAYOUT:



PANEL CUT OUT:



PCB Layout with socket contacts: Top view (from component side).

Further technical information and downloads

	Pos. ODU®	Signal	Color	Pos. USB®
Connection diagram	1	D-	White	2
	2	VBUS	Red	1
	3	D+	Green	3
	4	GND	Black	4
	Housing	-	Shield	Housing

[3D-File \(STP File\)](#)

[Technical specifications](#)