

receptacle_with_screw_lock_for_rear_panel_mounting

size_0_ip6k8_ip6k9k_coding_a_light_brown_8_contacts_sockets_solder_cup_data_transmission_ethernet®_10_gbits



Basic information

| | |
|--------------------|---------------------|
| Part number | GCOWAM-PD8WBEO-000L |
| Category | connector |
| Type of connector | receptacle |
| Assembly situation | rear_panel_mounting |

Contact insert description

| | |
|------------------------|--------------------------|
| Special features | data_transmission |
| Transmission type | Ethernet/IP® (10 Gbit/s) |
| Number of contacts | 8 |
| Contact type | sockets |
| Contact diameter | 0.3 mm |
| Termination type | solder_cup |
| Wire cross section AWG | AWG 24 |

Technical information

| | | |
|--------------------------------|------------|--|
| Nominal current single contact | 3 A | IEC 60512-5-2:2002 (DIN EN 60512-5-2:2003) |
| Max. current insert | 0.65 A | VDE 0298-4:2013 |
| Test voltage | 0.75 kV DC | EIA-364-20F:2019-02 |

Mechanical and environmental data

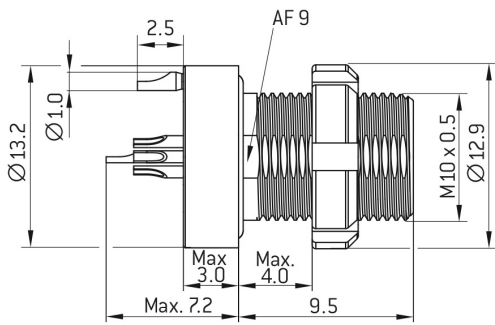
| | |
|----------------------------|---------------|
| Locking principle | screw_lock |
| Keying | a |
| Mating cycles | 5.000 |
| IP class | IP68 / IP6K9K |
| Max. operating temperature | 125 °C |
| Min. operating temperature | -51 °C |
| Tightening torque | 1 Nm |
| Weight | 5.5 g |

ip_protection_class_refers_to_mated_condition

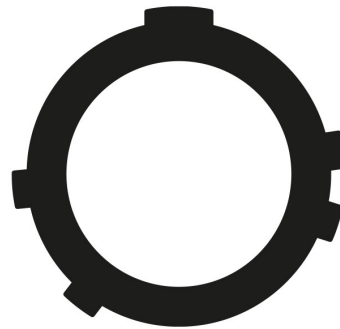
Material and surface treatments

| | |
|-------------------------|--------------------------------|
| Material | cu_alloy_with_ruthenium_finish |
| Contact material | cu_alloy_with_gold_finish |

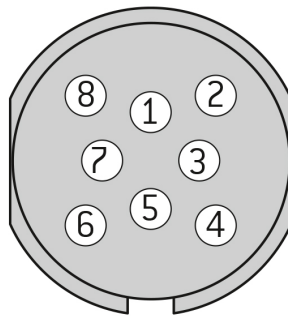
DIMENSIONS:



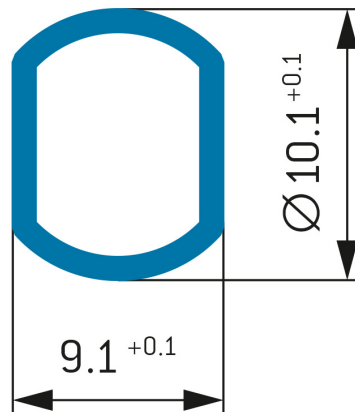
CODING:A



POSITIONS: 8 positions



PANEL CUT OUT:



Further technical information and downloads

Connection diagram

connection_diagram_8_pin_ethernet_1gbs_10gbs_rj45

[3D-File \(STP File\)](#)

[Technical specifications](#)