

## Receptacle with break-away and push-pull locking for rear panel mounting

Size: 1, IP6K8 / IP6K9K, Keying: A, Number of contacts: 8, PCB, Contact type: Sockets, Ethernet/IP® (1 Gbit/s)



### Basic information

Part number	G81YAR-PD8UC00-000L
Category	Connector
Type of connector	Receptacle
Assembly situation	Rear panel mounting
Size	1

### Contact insert description

Special features	Data transmission
Transmission type	Ethernet/IP® (1 Gbit/s)
Number of contacts	8
Contact type	Sockets
Contact diameter	0.5 mm
Termination type	PCB
Termination diameter	0.5 mm

Reverse gender on request

### Technical information

Nominal current single contact	5 A	IEC 60512-5-2:2002 (DIN EN 60512-5-2:2003)
Max. current insert	3.25	VDE 0298-4:2003
Test voltage	1 kV AC	EIA-364-20F:2019-02

All shown connectors are rated to a safety extra low voltage (SELV) of less than 50 V AC / 75 V DC, according to IEC 61140:2016 (VDE 0140-1:2016) Protection against electric shock - Common aspects for installation and equipment. In case other standards rule a specific use of the connector, the application specific safety criteria shall be considered first. In this context, lower voltage ratings may be valid. Warning: Danger to life for operating voltages above 50 V AC / 120 V DC!

## Mechanical and environmental data

<b>Locking principle</b>	Break-Away , Push-Pull
<b>Keying</b>	A
<b>Mating cycles</b>	5.000
<b>IP class</b>	IP6K8 / IP6K9K
<b>Max. operating temperature</b>	125 °C
<b>Min. operating temperature</b>	-51 °C
<b>Tightening torque</b>	3 Nm
<b>Weight</b>	8.45 g

\*IP protection class refers to mated condition

## Material and surface treatments

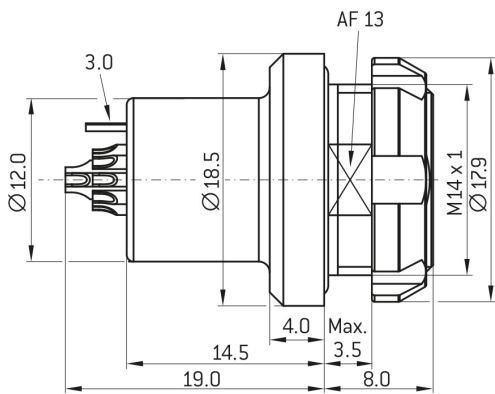
<b>Material</b>	Aluminum with ruthenium finish
<b>Insulator material</b>	PEEK
<b>Contact material</b>	Cu-alloy with gold finish

Unless explicitly confirmed otherwise the contact arrangement of an ODU data transmission connector differs from a standard data transmission connector due to the robust ODU specific design. However, the ODU design meets the electrical specifications of the respective standard data transmission protocol.

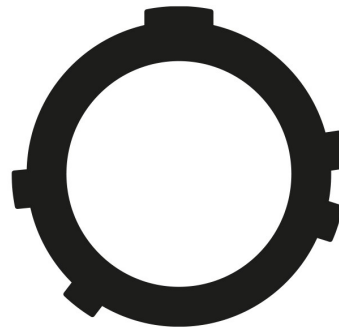
ODU reserves the right to make changes based on the current state of knowledge without prior notice without being obliged to provide replacement deliveries or refinements of older designs.

All shown connectors are defined without breaking capacity (COC) according to IEC 61984:2008 (VDE 0627:2009).

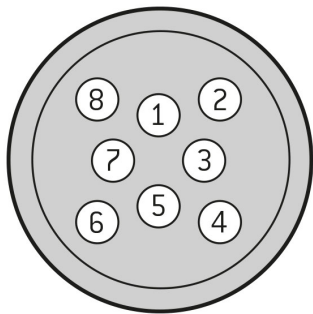
**DIMENSIONS:**



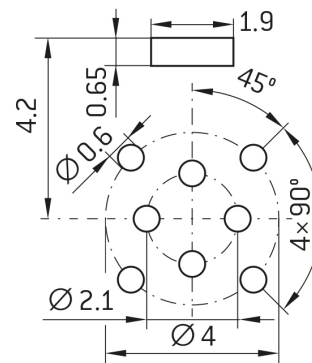
**CODING:A**



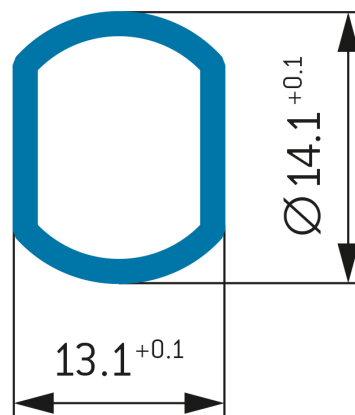
**POSITIONS: 8 positions**



**PCB-LAYOUT:**



**PANEL CUT OUT:**



PCB Layout with socket contacts: Top view (from component side).

Further technical information and downloads

	Pos. ODU®	Color	Pos. RJ45®
Connection diagram	1	green-white	3
	2	green	6
	3	brown-white	7
	4	brown	8
	5	blue-white	5
	6	blue	4
	7	orange-white	1
	8	orange	2
	housing	shield	housing

[3D-File \(STP File\)](#)

[Assembly Instruction](#)