

cable_assembly_with_straight_in_line_receptacle_with_screw_lock_with_overmolding

size_0_ip6k8_ip6k9k_coding_a_light_brown_8_contacts_sockets_solder_cup_data_transmission_ethernet®_10_gbits_second_side_rj45_plug_overmolding_black_cable_type_patch_kabel_cat_6avorkonfektioniert_pvc_cable_color_black



Basic information

Part number	CKCOWAM084IYK
Part no. without assembly	KCOWAM-PD8WBEO-0000
Category	cable_assembly
Type of connector	in_line_receptacle
Assembly situation	straight

Contact insert description

Special features	data_transmission
Transmission type	Ethernet/IP® (10 Gbit/s)
Number of contacts	8
Contact type	sockets
Contact diameter	0.3 mm
Termination type	solder_cup

Technical information

Nominal current single contact	1 A	IEC 60512-5-2:2002 (DIN EN 60512-5-2:2003)
Max. current insert	0.65 A	VDE 0298-4:2013
Test voltage	0.75 kV DC	EIA-364-20F:2019-02

Cable description

Cable outlet	overmolding
Bend relief color	black
Min. cable diameter	3.2
Max. cable diameter	7
Cable type	patch_cable_cat_6a_preassembled_pvc
Cable color	black
Cable diameter	5.8 mm
Second side	rj45_plug
UL style	E244889
Conductor	bare_copper
Wire cross section AWG	AWG 27

Mechanical and environmental data

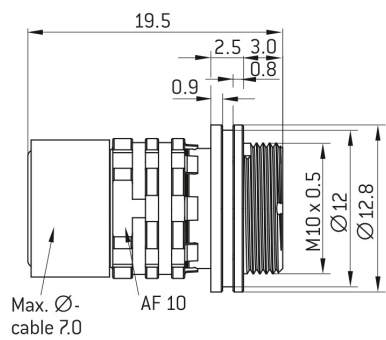
Locking principle	screw_lock
Keying	a
Mating cycles	5000
IP class	IP68 / IP6K9K
Max. operating temperature	75 °C
Min. operating temperature	-40 °C

ip_protection_class_refers_to_mated_condition

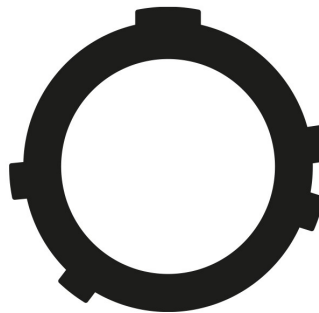
Material and surface treatments

Material	cu_alloy_with_ruthenium_finish
Insulator material	peek
Contact material	cu_alloy_with_gold_finish

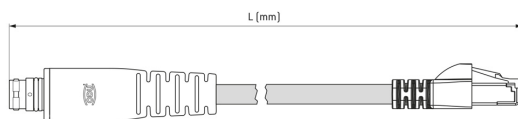
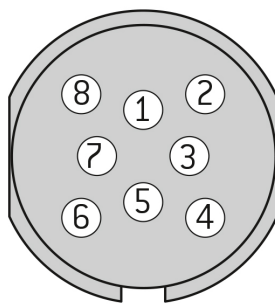
DIMENSIONS:



CODING:A



POSITIONS: 8 positions



Further technical information and downloads

Connection diagram

connection_diagram_8_pin_ethernet_1gbs_10gbs_rj45

[3D-File \(STP File\)](#)

[Technical specifications](#)