

cable_assembly_with_receptacle_with_screw_lock_for_rear_panel_mounting_with_overmolding

size_0_ip6k8_ip6k9k_coding_a_light_brown_12_contacts_sockets_solder_cup_data_transmission_usb®_3.2_gen_1x1_5_gbits_second_side_usb®_plug_a_overmolding_black_cable_type_usb_kabel_3.2_gen1x1vorkonfektioniert_cable_color_black


Basic information

Part number	CGSOWAM124IYV
Part no. without assembly	GSOWAM-P12WMM0-0000
Category	cable_assembly
Type of connector	receptacle
Assembly situation	rear_panel_mounting

Contact insert description

Special features	data_transmission
Transmission type	USB® 3.2 Gen 1x1 (5 Gbit/s)
Number of contacts	12
Contact type	sockets
Contact diameter	0.3 mm; 0.7 mm
Termination type	solder_cup

Technical information

Nominal current single contact	1 A; 5 A	IEC 60512-5-2:2002 (DIN EN 60512-5-2:2003)
Test voltage	0.3 kV AC	EIA-364-20F:2019-02

Cable description

Cable outlet	overmolding
Bend relief color	black
Cable type	usb_cable_3.2_gen1x1_preassembled_pvc
Cable color	black
Cable diameter	5.5 mm
Second side	usb®_plug_type_a
UL style	20276
Conductor	stranded_copper
Wire cross section AWG	AWG 28

Mechanical and environmental data

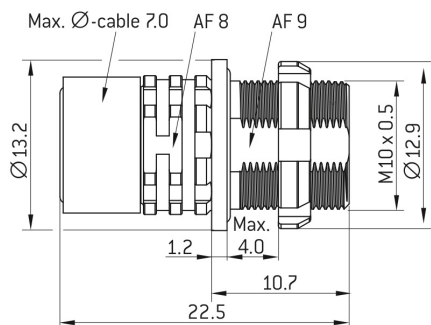
Locking principle	screw_lock
Keying	a
Mating cycles	5000
IP class	IP68 / IP6K9K
Max. operating temperature	80 °C
Min. operating temperature	-15 °C

ip_protection_class_refers_to_mated_condition

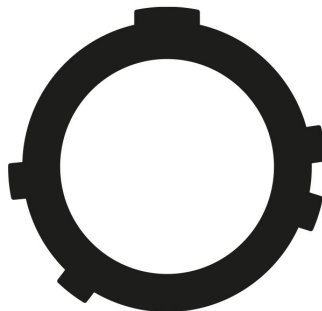
Material and surface treatments

Material	cu_alloy_with_ruthenium_finish
Insulator material	peek
Contact material	cu_alloy_with_gold_finish

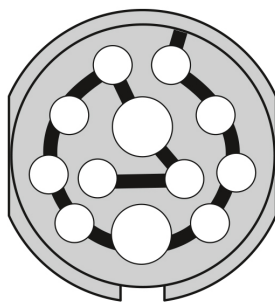
DIMENSIONS:



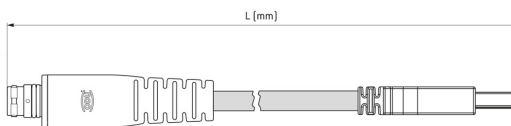
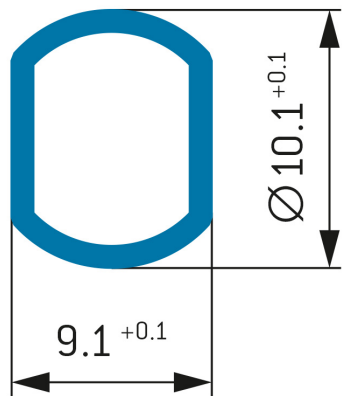
CODING:A



POSITIONS: 12 positions



PANEL CUT OUT:



Further technical information and downloads

Connection diagram

connection_diagram_12_pin_usb_3_2_gen1x1_socket_typ_a

[3D-File \(STP File\)](#)

[Technical specifications](#)