

**cable\_assembly\_with\_receptacle\_with\_break\_away\_locking\_for\_rear\_panel\_mounting\_with\_overmolding**

size\_0\_ip6k8\_ip6k9k\_coding\_a\_light\_brown\_8\_contacts\_sockets\_solder\_cup\_data\_transmission\_ethernet®\_10\_gbits\_second\_side\_rj45\_plug\_overmolding\_black\_cable\_type\_patch\_kabel\_cat\_6avorkonfektioniert\_pvc\_cable\_color\_black

**Basic information**


<b>Part number</b>	CG60WAM084IYK
<b>Part no. without assembly</b>	G60WAM-PD8WBEO-0000
<b>Category</b>	cable_assembly
<b>Type of connector</b>	receptacle
<b>Assembly situation</b>	rear_panel_mounting

**Contact insert description**

<b>Special features</b>	data_transmission
<b>Transmission type</b>	Ethernet/IP® (10 Gbit/s)
<b>Number of contacts</b>	8
<b>Contact type</b>	sockets
<b>Contact diameter</b>	0.3 mm
<b>Termination type</b>	solder_cup

**Technical information**

<b>Nominal current single contact</b>	1 A	IEC 60512-5-2:2002 (DIN EN 60512-5-2:2003)
<b>Max. current insert</b>	0.65 A	VDE 0298-4:2013
<b>Test voltage</b>	0.75 kV DC	EIA-364-20F:2019-02

**Cable description**

<b>Cable outlet</b>	overmolding
<b>Bend relief color</b>	black
<b>Min. cable diameter</b>	3.2
<b>Max. cable diameter</b>	7
<b>Cable type</b>	patch_cable_cat_6a_preassembled_pvc
<b>Cable color</b>	black
<b>Cable diameter</b>	5.8 mm
<b>Second side</b>	rj45_plug
<b>UL style</b>	E244889
<b>Conductor</b>	bare_copper
<b>Wire cross section AWG</b>	AWG 27

## Mechanical and environmental data

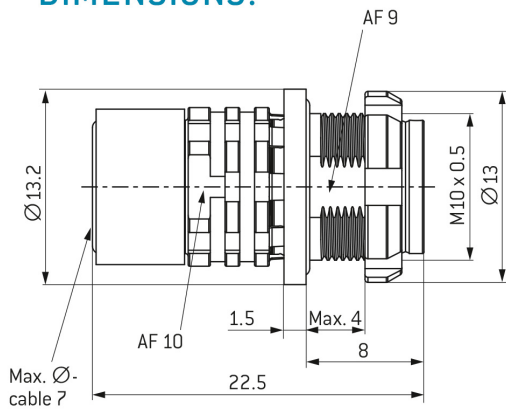
Locking principle	break_away
Keying	a
Mating cycles	5000
IP class	IP68 / IP6K9K
Max. operating temperature	75 °C
Min. operating temperature	-40 °C

ip\_protection\_class\_refers\_to\_mated\_condition

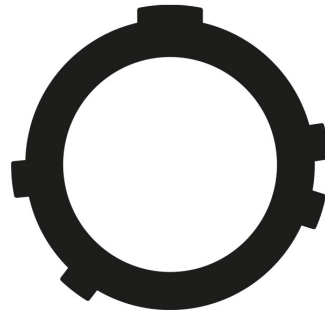
## Material and surface treatments

Material	cu_alloy_with_ruthenium_finish
Insulator material	peek
Contact material	cu_alloy_with_gold_finish

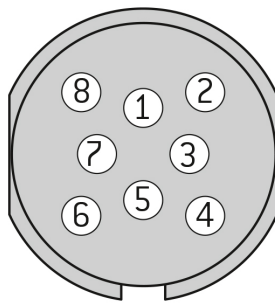
**DIMENSIONS:**



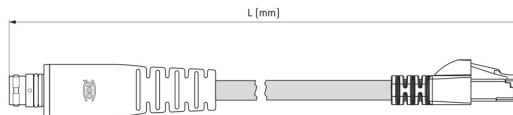
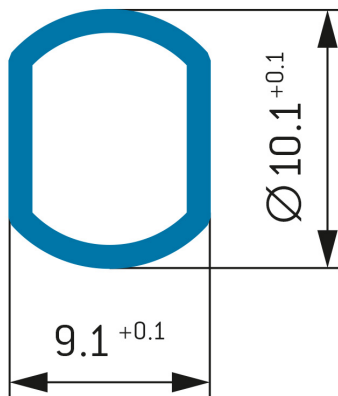
**CODING:A**



**POSITIONS: 8 positions**



**PANEL CUT OUT:**



## Further technical information and downloads

Connection diagram

connection\_diagram\_8\_pin\_ethernet\_1gbs\_10gbs\_rj45

[3D-File \(STP File\)](#)

[Technical specifications](#)